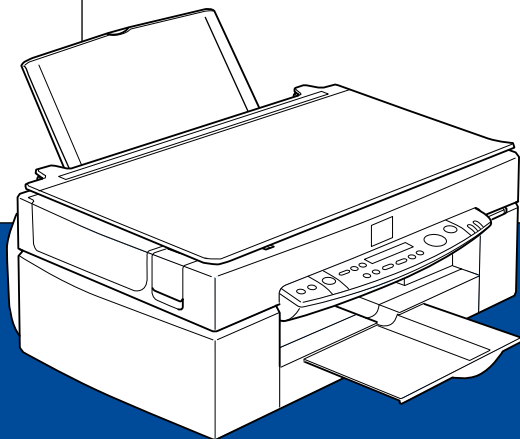


# EPSON

All in One Product

This is an Acrobat version of the Online Reference Guide in HTML format supplied on CD with the product.



**EPSON STYLUS™ SCAN 2500**

*Reference Guide*

# EPSON STYLUS™ SCAN 2500

*All in One Product*

All rights reserved. No part of this publication may be reproduced, stored in a retrieval system, or transmitted in any form or by any means, electronic, mechanical, photocopying, recording, or otherwise, without the prior written permission of SEIKO EPSON CORPORATION. The information contained herein is designed only for use with this EPSON product. EPSON is not responsible for any use of this information as applied to other products.

Neither SEIKO EPSON CORPORATION nor its affiliates shall be liable to the purchaser of this product or third parties for damages, losses, costs, or expenses incurred by the purchaser or third parties as a result of: accident, misuse, or abuse of this product or unauthorized modifications, repairs, or alterations to this product, or (excluding the U.S.) failure to strictly comply with SEIKO EPSON CORPORATION's operating and maintenance instructions.

SEIKO EPSON CORPORATION shall not be liable for any damages or problems arising from the use of any options or any consumable products other than those designated as Original EPSON Products or EPSON Approved Products by SEIKO EPSON CORPORATION.

SEIKO EPSON CORPORATION shall not be held liable for any damage resulting from electromagnetic interference that occurs from the use of any interface cables other than EPSON Approved Products by SEIKO EPSON CORPORATION.

EPSON is a registered trademark and EPSON ESC/P and EPSON Stylus are trademarks of SEIKO EPSON CORPORATION.

Microsoft and Windows are registered trademarks of Microsoft Corporation.

*General Notice: Other product names used herein are for identification purposes only and may be trademarks of their respective owners. EPSON disclaims any and all rights in those marks.*

Copyright © 2000 by SEIKO EPSON CORPORATION, Nagano, Japan.



Printed on Recycled Paper.

# Declaration of Conformity

According to ISO/IEC Guide 22 and EN 45014

Manufacturer: SEIKO EPSON CORPORATION  
Address: 3-5, Owa 3-chome, Suwa-shi,  
Nagano-ken 392-8502 Japan

Representative: EPSON EUROPE B.V.  
Address: Prof. J. H. Bavincklaan 5 1183  
AT Amstelveen  
The Netherlands

Declares that the Product:

Product Name: Multi Function Printer  
Model: C130A

Conforms to the following Directive(s) and Norm(s):

Directive 89/336/EEC:  
EN 55022 Class B  
EN 61000-3-2  
EN 61000-3-3  
EN 50082-1  
IEC 801-2  
IEC 801-3  
IEC 801-4

Directive 73/23/EEC:  
EN 60950

H. Horiuchi  
President of EPSON EUROPE B.V.  
August 1999

---

# Contents

---

## Chapter 1 Stylus Scan Parts and Functions

---

Stylus Scan Parts and Control Panel Functions . . . . .	1-2
Control panel. . . . .	1-3

---

## Chapter 2 Safety Instructions

---

Important Safety Instructions . . . . .	2-2
A Few Precautions . . . . .	2-3
When using the Stylus Scan . . . . .	2-3
When handling the ink cartridges . . . . .	2-4
When choosing a place for the Stylus Scan . . . . .	2-5
ENERGY STAR Compliance . . . . .	2-5
Warnings, Cautions, and Notes. . . . .	2-6

---

## Chapter 3 Paper Handling

---

Loading Paper . . . . .	3-2
Loading Plain Paper . . . . .	3-2
Loading Special Paper and Other Media . . . . .	3-3
About special media cleaning sheets. . . . .	3-7
Loading Envelopes . . . . .	3-7
Using EPSON Photo Paper (4 x 6 inch, 200 x 300 mm) . . . . .	3-8
Loading . . . . .	3-9
Removing the perforated margins. . . . .	3-10
Storing EPSON Photo Paper. . . . .	3-12

---

## Chapter 4 Using the Printer Software for Windows

---

Printer Software Introduction . . . . .	4-2
Getting more information . . . . .	4-2
Accessing the printer software. . . . .	4-2

Making Changes to Printer Driver Settings . . . . .	4-3
Making the Media Type setting . . . . .	4-4
Using the Automatic setting . . . . .	4-7
Using Photo Enhance mode. . . . .	4-8
Using custom settings. . . . .	4-8
Using the Advanced settings. . . . .	4-9
Previewing your printout . . . . .	4-12
Modifying the printout style. . . . .	4-14
Using the Paper menu settings . . . . .	4-15
Fitting your document to the paper size . . . . .	4-16
Printing 2 or 4 pages on one sheet . . . . .	4-17
Printing posters . . . . .	4-18
Printing a watermark on your document . . . . .	4-19
Using the Printer Utilities . . . . .	4-21
Status Monitor 3. . . . .	4-22
Nozzle Check. . . . .	4-22
Head Cleaning. . . . .	4-22
Print Head Alignment . . . . .	4-23
Printer and Option Information . . . . .	4-23
Speed & Progress. . . . .	4-24
Monitoring Preferences . . . . .	4-25
Getting Information With Online Help. . . . .	4-26
Accessing help from your application . . . . .	4-26
Accessing help from the start menu. . . . .	4-27
Increasing the Print Speed . . . . .	4-27
General tips . . . . .	4-27
Using the High Speed Copies feature . . . . .	4-29

## ***Chapter 5 Checking Printer Status and Managing Print Jobs for Windows***

---

Using the Progress Meter . . . . .	5-2
Using EPSON Spool Manager . . . . .	5-3
Using EPSON Status Monitor 3 . . . . .	5-4
Accessing EPSON Status Monitor 3 . . . . .	5-4

## **Chapter 6 Using the Printer Software for Macintosh**

---

Printer Software Introduction . . . . .	2
Making Changes to Printer Driver Settings. . . . .	2
Making the Media Type settings . . . . .	3
Using the Automatic setting . . . . .	6
Using Photo Enhance Mode . . . . .	6
Using the Custom Mode . . . . .	7
Using the Advanced settings . . . . .	8
Changing the page setup . . . . .	11
Defining a custom paper size . . . . .	12
Modifying the Layout . . . . .	14
Fitting your document to the paper size . . . . .	14
Printing 2 or 4 pages on one sheet . . . . .	15
Printing posters . . . . .	16
Printing a watermark on your document . . . . .	17
Setting a Print Time . . . . .	20
Previewing Your Printout . . . . .	21
Saving Print Data in Files . . . . .	22
Using the Printer Utilities for Macintosh . . . . .	24
EPSON StatusMonitor . . . . .	24
Nozzle Check . . . . .	25
Head Cleaning . . . . .	25
Print Head Alignment . . . . .	25
Configuration . . . . .	25

## **Chapter 7 Checking Printer Status and Managing Print Jobs for Macintosh**

---

Using the EPSON StatusMonitor . . . . .	7-2
Accessing Status Monitor . . . . .	7-2
Changing Configuration Settings. . . . .	7-3
Using EPSON Monitor3 . . . . .	7-4
Accessing EPSON Monitor3 . . . . .	7-4
Managing print jobs with EPSON Monitor3 . . . . .	7-5
Changing the priority of print jobs . . . . .	7-7

## **Chapter 8 Scanner**

---

Placing a Document . . . . .	8-2
Scanning Basics . . . . .	8-5
Starting EPSON TWAIN through your application. . . . .	8-5
Scanning an image . . . . .	8-6
Scanning by pressing the Scan button . . . . .	8-8
Using the Scan Button . . . . .	8-9
The Scan Button Feature. . . . .	8-9
EPSON SMART PANEL. . . . .	8-9
Setting up EPSON Scanner Monitor. . . . .	8-11
Setting Up the Scan Button Feature for Windows 98. . . . .	8-15
Options. . . . .	8-17
Using the Film Adapter . . . . .	8-17
Using the Automatic Document Feeder . . . . .	8-27
Understanding EPSON TWAIN Features . . . . .	8-33
Scanning from EPSON TWAIN . . . . .	8-34
Reset Button . . . . .	8-55
Auto Locate . . . . .	8-55

## **Chapter 9 Copier**

---

About the Copy Feature . . . . .	9-2
Loading the Paper . . . . .	9-3
Placing a Document . . . . .	9-5
How to Make Copies . . . . .	9-7
Using the Optional Automatic Document Feeder. . . . .	9-9
Loading paper into the Automatic Document Feeder. . . . .	9-9
Loading documents manually. . . . .	9-11
Using the Control Panel . . . . .	9-12
LCD panel. . . . .	9-12
Copy button . . . . .	9-13
Stop/Clear button . . . . .	9-13
Paper Size button. . . . .	9-14
B&W/Color button . . . . .	9-14
Copies buttons . . . . .	9-14
Reduce/Enlarge button . . . . .	9-15
Quality button . . . . .	9-15

Lighter/Darker button . . . . .	9-16
Changing the Control Panel Settings . . . . .	9-16
Status Sheet Print . . . . .	9-17
Bottom Margin . . . . .	9-17
Paper Size. . . . .	9-17
Language . . . . .	9-18
Set Factory Default . . . . .	9-18
Using the Copy Utility (from EPSON SMART PANEL) . . . . .	9-18
Accessing the Copy Utility . . . . .	9-18
Making Copy Settings in the Copy Utility . . . . .	9-19

## ***Chapter 10 Replacing Ink Cartridges***

---

Replacing Empty Ink Cartridges . . . . .	10-2
Using the control panel . . . . .	10-2
Using the Status Monitor 3 . . . . .	10-8
Replacing an Old or Damaged Ink Cartridge . . . . .	10-9

## ***Chapter 11 Maintenance***

---

Checking the Print Head Nozzles . . . . .	11-2
Using the Nozzle Check utility. . . . .	11-2
Using the control panel buttons . . . . .	11-3
Cleaning the Print Head . . . . .	11-4
Using the Head Cleaning utility. . . . .	11-5
Using the control panel buttons . . . . .	11-8
Aligning the Print Head . . . . .	11-9
Calibrating Your System . . . . .	11-10
Calibrating Your Screen. . . . .	11-11
Using ICM, ICM/sRGB (For Windows 98/95 Users) . . . . .	11-12
Replacing the fluorescent lamp . . . . .	11-15
Optional Automatic Document Feeder . . . . .	11-15
Cleaning or replacing the paper path guide. . . . .	11-15
Clearing Jammed Paper . . . . .	11-20
Cleaning the Stylus Scan . . . . .	11-21
Transporting the Stylus Scan . . . . .	11-22



## **Chapter 12 Troubleshooting**

---

Diagnosing the Problem . . . . .	12-2
Error Messages. . . . .	12-2
Status Monitor 3. . . . .	12-4
Running a printer operation check. . . . .	12-4
.Printing and Copying problems . . . . .	12-7
Print and Copy Quality Could Be Better . . . . .	12-7
Cannot print or copy. . . . .	12-10
Paper Doesn't Feed Correctly . . . . .	12-12
Printouts Are Not What You Expected . . . . .	12-14
Scanning Problem. . . . .	12-17
Operating problems . . . . .	12-17
Quality problems. . . . .	12-18
Improving scan speed. . . . .	12-22
Where to Get Help . . . . .	12-22

## **Chapter 13 Options and Consumable Products**

---

Options. . . . .	13-2
Consumable products . . . . .	13-3

## **Appendix A Tips for Color Printing**

---

Basics of Color. . . . .	A-2
Image Resolution and Image Size . . . . .	A-5
Guidelines for Using Color. . . . .	A-7

## **Appendix B Product Specifications**

---

Printing . . . . .	B-2
Paper. . . . .	B-2
Printable area . . . . .	B-5
Mechanical. . . . .	B-7
Ink Cartridges . . . . .	B-7
Scanning. . . . .	B-8

Electrical . . . . .	B-10
Environmental . . . . .	B-10
Initialization Methods . . . . .	B-11
Safety Approvals . . . . .	B-11
Interface Specifications . . . . .	B-12
Parallel interface . . . . .	B-12
USB interface . . . . .	B-13
Optional USB Cable . . . . .	B-14
System Requirements . . . . .	B-14
For PCs . . . . .	B-14
For Macintosh computers . . . . .	B-15

***Glossary***

---

***Index***

---



*Chapter 1*

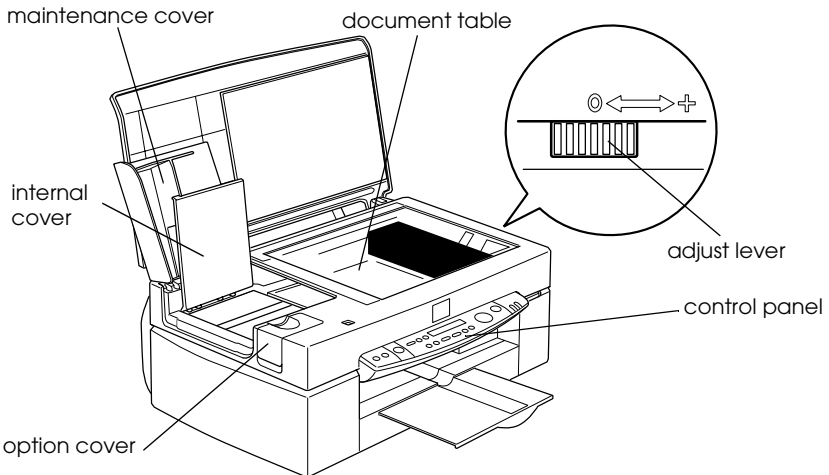
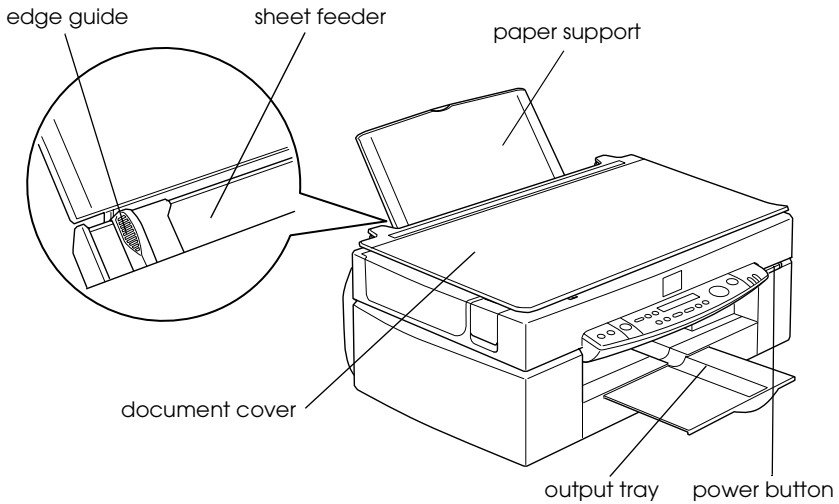
---

***Stylus Scan Parts and Functions***

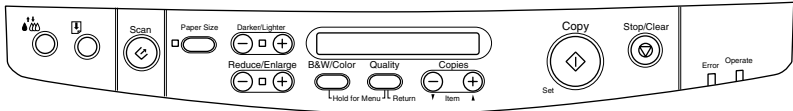
Stylus Scan Parts and Control Panel Functions.....1-2  
    Control panel.....1-3

---

## Stylus Scan Parts and Control Panel Functions



## Control panel



You can control copy, print and scan functions with the control panel, and also check device status.

There are four control panel operation modes. LCD panel messages and operation vary by mode.

<b>Copy Mode</b>	This is the normal mode, and in this mode the system is ready to make a copy. The LCD will display the following items: Reduce/Enlarge, B&W/Color, Quality, Copies
<b>Set-up Mode</b>	This mode is used to change Copy settings. Use this mode to change settings with the panel buttons.
<b>Status Mode</b>	The system switches to this mode when the Stylus Scan is performing an action (print, scan or copy). Error and status messages are displayed.
<b>Menu Mode</b>	Hold down the Quality and B&W/Color buttons for 3 seconds to enter this mode. It is used to set the following items: Status sheet, bottom margin and Metric/US select Panel language select, Restore defaults



The control panel is composed of four major parts.

**Status indicators:** The status of the Stylus Scan is indicated with these two lights.


Light	Status
Operate	Comes on when the Stylus Scan is on. Flashes when warming up, receiving data, copying, printing, scanning, replacing an ink cartridge, charging ink, or cleaning the print head.

Error	Comes on when the Stylus Scan has an error. Check the message on the LCD panel for details.
-------	--



**Printer:** The printer is controlled with these two buttons.

Button	Function
 Load/Eject	<p>Press and release to feed or eject paper loaded in the sheet feeder. If the print head is in the position to change ink cartridges, it returns to home position.</p> <p>Press and hold for 3 seconds to move the print head to the ink cartridge change position.</p>
 Cleaning	<p>If the print head is at the cartridge change position. If the head is at the change position, press and release to return the print head to the home position.</p> <p>Press and hold for 3 seconds to start cleaning the print head; or, if the ink level of a cartridge is low or if a cartridge is missing, to move the print head to the cartridge-replacement position.</p>

**Scanner:** The Scan button controls scanner operation.

Button	Function
 Scan	<p>Pressing this switch starts scanning and transfers the scanned image to the assigned application software. To use this feature, you need to set up the software.</p>

**Copy:** This button controls the copy function.

Button	Function
 Copy	<p>Starts copying.</p> <p>The default copy settings are: Reduce/Enlarge 100% B&amp;W/Color B&amp;W Quality Normal Copies 1</p>
 Stop/Clear	<p>Changes the copy status: Cancels the copy, and ejects the paper. In Copy Mode, returns the Copies setting to one. In Set-up Mode, returns the selected set-up item to default.</p>

Paper Size	<p>Sets the paper size to be used for copying.</p> <p>Depending on the Metric/US selection made in Menu Mode, the following paper sizes will be selected:</p> <p>Metric: A4, B5, A6</p> <p>US: Letter, Half L, 5x8"</p>
B&W/Color	<p>Selects color or black-and-white copy.</p> <p>Hold down the Quality button and B&amp;W/Color button for 3 seconds to enter the Menu Mode. In Menu Mode you can control several items.</p>
Quality	<p>Sets the copy quality.</p> <p>B&amp;W: Normal, Fine</p> <p>Color: Normal, Fine, Photo</p> <p>When Photo is selected for a color copy, be sure to use EPSON Photo Paper.</p> <p>Hold down the Quality button and B&amp;W/Color button for 3 seconds to enter the Menu Mode. In Menu Mode you can control several items.</p>
Copies	<p>Sets the number of copies, from 1 to 20.</p> <p>Use the + button to increase the number, and the - button to decrease it.</p>
Darker/ Lighter	<p>Sets the copy density.</p> <p>Press the + or - buttons to access the density setting screen, and set the desired density.</p>
Reduce/ Enlarge	<p>Sets the magnification ratio.</p> <p>Press the + or - buttons to access the Reduce/Enlarge screen, and set the desired magnification ratio.</p>





## Chapter 2

---

# **Safety Instructions**

Important Safety Instructions .....	2-1
A Few Precautions .....	2-3
When using the Stylus Scan .....	2-3
When handling the ink cartridges .....	2-4
When choosing a place for the Stylus Scan .....	2-4
ENERGY STAR Compliance .....	2-5
Warnings, Cautions, and Notes.....	2-5

---

## ***Important Safety Instructions***

Read all of these instructions before starting to use your Stylus Scan. Also be sure to follow all warnings and instructions marked on the Stylus Scan.

- ❑ Unplug the Stylus Scan before cleaning. Clean with a damp cloth only. Do not use cleaning fluid or detergents on the Stylus Scan.
- ❑ Do not place the Stylus Scan on an unstable surface, or near a radiator or heat source.
- ❑ Do not block or cover the openings in the Stylus Scan's cabinet.
- ❑ Do not insert objects through the slots. Do not spill liquid on the Stylus Scan.
- ❑ Use only the type of power source indicated on the Stylus Scan's label.
- ❑ Connect all equipment to properly grounded power outlets. Avoid using outlets on the same circuit as air control systems or other high- load office devices that regularly switch on and off.
- ❑ Avoid electrical outlets controlled by wall switches or automatic timers.
- ❑ Keep the entire computer system away from potential sources of electromagnetic interference, such as loudspeakers and the base units of cordless telephones.
- ❑ Do not use a damaged or frayed power cord.

- ❑ If you use an extension cord with the Stylus Scan, make sure the total amperage of the devices plugged into the extension cord does not exceed the cord's ampere rating. Also, make sure the total ampere rating of all devices plugged into the wall outlet does not exceed the wall outlet's ampere rating.
- ❑ Do not attempt to service the Stylus Scan yourself.

Unplug the Stylus Scan and refer servicing to qualified service personnel under any of the following conditions:

- ❑ The power cord or plug is damaged; liquid has entered the Stylus Scan; the Stylus Scan has been dropped or the cabinet damaged; the Stylus Scan does not operate normally or exhibits a distinct change in performance.
- ❑ If you are using the Stylus Scan in Germany, observe the following:

To provide adequate short-circuit protection and over-current protection for this Stylus Scan, the building installation must be protected by a 16 Amp circuit breaker.

Bei Anschluß des Druckers an die Stromversorgung muß sichergestellt werden, daß die Gebäudeinstallation mit einem 16 A- Überstromschalter abgesichert ist.

---

## ***A Few Precautions***

### ***When using the Stylus Scan***

- ❑ Do not put your hand inside the Stylus Scan or touch the ink cartridges during operation.
- ❑ Do not move the print head by hand. Doing so may damage the Stylus Scan.

- ❑ Always use the ⏻ power button to turn off the Stylus Scan. When this button is pressed, the Operate light flashes briefly then goes off. Do not unplug the Stylus Scan or turn off the power to the outlet until the Operate light stops flashing. The scanner carriage must be secured with the Transportation Lock.
- ❑ Before transporting the Stylus Scan, make sure the print head is in the home (far right) position and the ink cartridges are in place. The scanner carriage must be secured with the Transportation Lock.

### ***When handling the ink cartridges***

- ❑ Keep ink cartridges out of the reach of children. Do not allow children to drink the ink or otherwise handle the cartridges.
- ❑ If ink gets on your skin, wash it off with soap and water. If ink gets into your eyes, flush your eyes immediately with water. If a discomfort or vision problems remain after a thorough flushing, see a doctor immediately.
- ❑ Do not shake the ink cartridges. Cartridges may leak if shaken.
- ❑ Install the ink cartridge immediately after you remove it from its package. Leaving the cartridge unpacked for a long time before use may result in reduced print quality.
- ❑ Once you install an ink cartridge, do not open the clamp or remove the cartridge except to replace it with a new one. The cartridge becomes unusable when you open the clamp.
- ❑ Do not use an ink cartridge beyond the date printed on the cartridge carton. For best results, use the ink cartridges completely within six months of installing them.
- ❑ Do not dismantle the ink cartridges or try to refill them. Doing so may damage the print head.

## **When choosing a place for the Stylus Scan**

- ❑ Place the Stylus Scan on a flat, stable surface that extends beyond the base of the machine in all directions. The Stylus Scan will not operate properly if it is tilted or at an angle.
- ❑ Avoid places subject to rapid changes in temperature and humidity. Also keep the Stylus Scan away from direct sunlight, strong light, and heat sources.
- ❑ Avoid places subject to shocks and vibrations.
- ❑ Leave enough room around the Stylus Scan to allow for sufficient ventilation.
- ❑ Place the Stylus Scan near a wall outlet where the power cord can be easily unplugged.

### ***Note for French-speaking users:***

*Placez l'imprimante près d'une prise de contact où la fiche peut être débranchée facilement.*

---

## **ENERGY STAR Compliance**



As an ENERGY STAR Partner, EPSON has determined that this product meets the ENERGY STAR guidelines for energy efficiency.

The International ENERGY STAR Office Equipment Program is a voluntary partnership with the computer and office equipment industry to promote the introduction of energy-efficient personal computers, monitors, printers, fax machines, and copiers in an effort to reduce air pollution caused by power generation.

---

## **Warnings, Cautions, and Notes**



### **Warnings**

*must be followed carefully to avoid bodily injury.*



### **Cautions**

*must be observed to avoid damage to your equipment.*

### **Notes**

*contain important information and useful tips on the operation of your Stylus Scan.*

## Chapter 3

---

# **Paper Handling**

Loading Paper .....	3-2
Loading Plain Paper .....	3-2
Loading Special Paper and Other Media .....	3-3
About special media cleaning sheets .....	3-7
Loading Envelopes .....	3-7
Using EPSON Photo Paper (4 x 6 inch, 200 x 300 mm) .....	3-8
Loading .....	3-9
Removing the perforated margins .....	3-10
Storing EPSON Photo Paper .....	3-12



---

## Loading Paper

This chapter explains how to load and handle paper and other media for printing and copying.

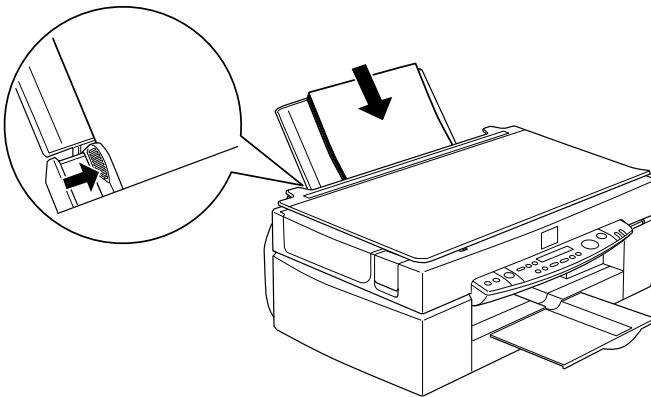
---

### Loading Plain Paper

Follow these steps to load plain paper for printing or copying.

1. Slide out the extension of the output tray. Next, slide the left edge guide to adjust the width of the loading area so that it is slightly wider than the width of your paper.
2. Fan a stack of paper; then tap it on a flat surface to even the edges.
3. Load the stack of paper with the printable side up and the right edge of the paper resting against the right side of the sheet feeder. Then slide the left edge guide against the edge of the paper.

**Note:**



- ❑ *Always load plain paper into the sheet feeder short side first.*

- ❑ *Make sure the paper stack fits under the arrow mark inside the edge guide.*

---

## ***Loading Special Paper and Other Media***

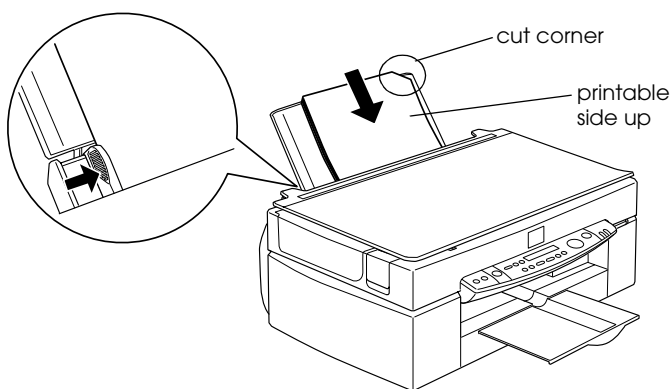
You can achieve good results with most plain bond paper. However, using coated paper or glossy film gives you higher quality printouts because these media absorb smaller amounts of ink.

You can print on a wide variety of special media, including ink jet paper, photo quality glossy film, photo paper, transparencies, envelopes, index cards, and adhesive sheets.

EPSON distributes special media that are formulated for the ink used in EPSON ink jet devices. It is recommended that you use these media to ensure high-quality results. See “EPSON special media” on page 13-3 for a complete list of these products.

When loading special media distributed by EPSON, read the instructions included with the media and keep the following points in mind.

- ❑ Make sure the printable side of the paper is facing up when loading media into the sheet feeder. See the instructions included with the media to determine which side is the printable surface. Some media come with one corner removed to help identify the correct loading direction, as shown in the illustration.



**Note:**

*If you expand the printable area with the Maximum setting in the printer driver, the cut corner on special paper may mar your printout.*

- ❑ Make sure the paper stack fits under the arrow mark located on the inside surface of the left edge guide.

- The loading capacity for envelopes and EPSON special media is explained below.

Envelopes

Up to 10 envelopes.

**Note:**

If the total thickness of the stack of envelopes exceeds 10 mm, press each envelope flat before loading.

360 dpi Ink Jet Paper  
and Photo Quality Ink  
Jet Paper

Up to the arrow mark on the left edge  
guide.

Photo Quality Ink Jet  
Card, Ink Jet Note Card,  
and Ink Jet Greeting  
Card

Up to 30 index cards. Always place the  
included support sheet\* under the  
cards.

Ink Jet Transparencies

Up to 30 transparencies. Always put a  
sheet of plain paper under the stack of  
transparencies.

Photo Quality Self  
Adhesive Sheets

One sheet at a time.

Photo Paper

Up to 20 sheets. 200 × 300 mm Photo  
Paper can only be loaded 1 sheet at a  
time. For 4 × 6 inch Photo Paper, always  
put a support sheet\* under the stack of  
Photo Paper.

Photo Stickers 16 and  
Photo Stickers 4

One sheet at a time. Always put the  
included Support Sheets\* A and B under  
the stack of Photo Stickers.

Panoramic Photo Paper  
and Iron-On Cool Peel  
Transfer Paper

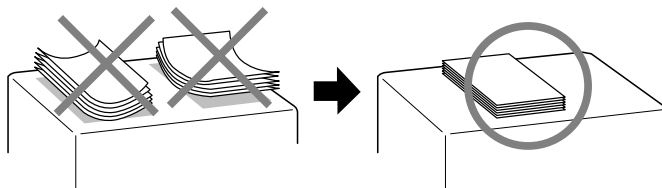
One sheet at a time.

Matte Paper-  
Heavyweight

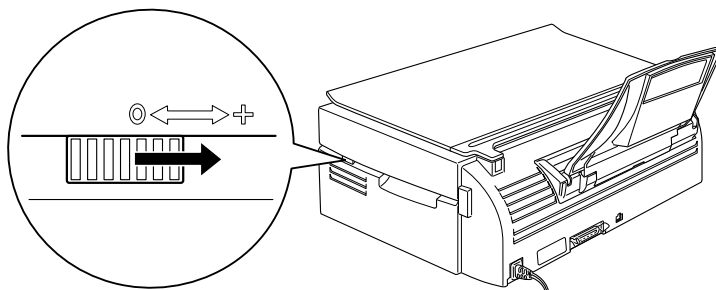
Up to 20 sheets. Always put a support  
sheet\* under the stack of Matte Paper-  
Heavyweight.

\* Be sure not to print on support sheets loaded under special media.

- ❑ If the paper is curled, make sure to flatten it or curl it slightly in the opposite direction before loading. Printing on curled paper may smear your printout, especially when printing with Maximum selected as the Printable Area setting.



- ❑ If your printouts are smeared, change the adjust lever to the “+” position. To change the setting, set the lever as shown in the illustration.



**Note:**

- ❑ Don't forget to return the adjust lever to the “0” position before printing or copying on media of standard thickness. Leaving the lever in the “+” position may cause gaps in the printed image.
- ❑ When the adjust lever is in the “+” position, make sure the High Speed setting in the printer driver's Advanced dialog box is off. To turn this option off, you may also need to change the Print Quality setting.

Note that Ink Jet Cards may curl if you set the Printable Area to Maximum when printing. If you are going to print on both sides of these cards, print the printable side first, and then flatten the cards (or bend them slightly in the opposite direction) before printing the back side. Set the adjust lever to the “+” position before printing on the second side.

## **About special media cleaning sheets**

Cleaning sheets packaged with EPSON special media should not be used with the Stylus Scan. These sheets are unnecessary, and may cause jams.

---

## **Loading Envelopes**

When printing on envelopes, please note the following:

- You can load up to 10 envelopes into the sheet feeder.

**Note:**

*The folding quality and thickness of envelopes vary widely. If the total thickness of the stack of envelopes exceeds 10 mm, press the stack flat before loading.*

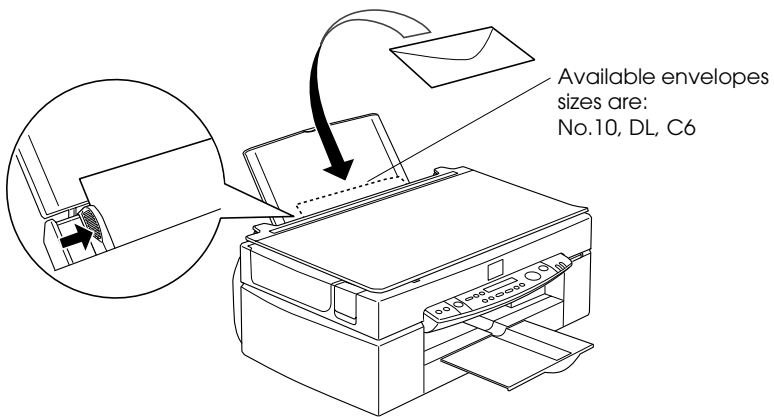
- Set the adjust lever to the “+” position.

**Note:**

- Don't forget to return the adjust lever to the “0” position before printing or copying on media of standard thickness. Leaving the lever in the “+” position may cause gaps in the printed image.*

- When the adjust lever is in the “+” position, make sure the High Speed setting in the printer driver's Advanced dialog box is off. To turn this option off, you may also need to change the Print Quality setting.*

Load envelopes flap edge first with the flap side down, as shown in the illustration.



- ❑ Do not use envelopes that are curled or folded. Make sure to flatten the envelope flaps before loading. Also avoid using envelopes that are too thin as they may curl during printing.
- ❑ Select Plain Paper as the Media Type setting on the printer driver.

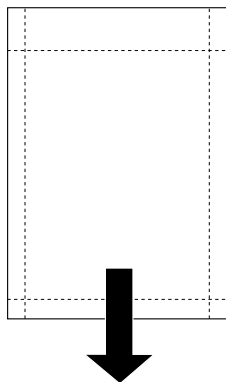
---

### ***Using EPSON Photo Paper (4 x 6 inch, 200 x 300 mm)***

EPSON Photo Paper (S041134, 041254) is perforated around the margins so you can trim your printed images to look like 4 × 6 inch (102 × 152 mm) or 200 × 300 mm photographs. Be sure to do the following when using this type of paper.

## Loading

- ❑ Load the paper printable side up with the perforated margins positioned as shown in the illustration.



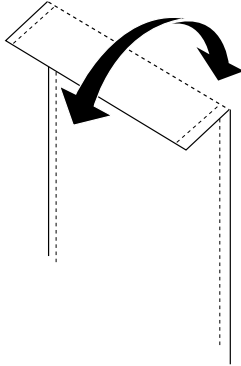
loading position

- ❑ Use flat, undamaged paper. If the paper or the support sheet is curled, flatten it before loading to avoid paper feeding problems.
- ❑ Always place the included support sheet under the stack of Photo Paper, but be careful not to print on it.
- ❑ You can load up to 20 sheets of 4 × 6 inch Photo Paper or 1 sheet of 200 × 300 mm Photo Paper into the sheet feeder.
- ❑ Cut or tear the paper at the perforations only after printing. Do not cut, tear, or fold the paper before printing.
- ❑ Select Photo Paper as the Media Type setting and Photo Paper 4 x 6 in or Photo Paper 200 x 300 mm as the Paper Size setting in your printer driver.



## ***Removing the perforated margins***

- ❑ To remove the perforated margins, fold the paper back and forth a few times along the perforations, then carefully tear the margins off.

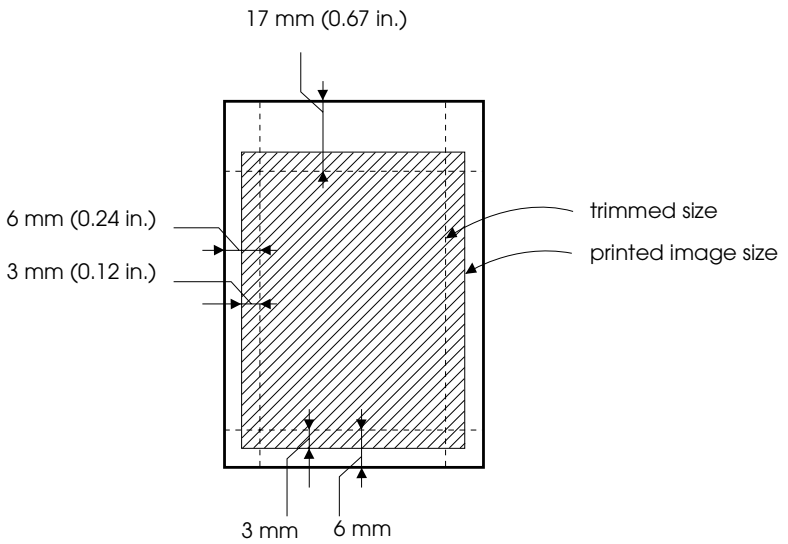


- ❑ You can also remove the margins by cutting along the perforations.

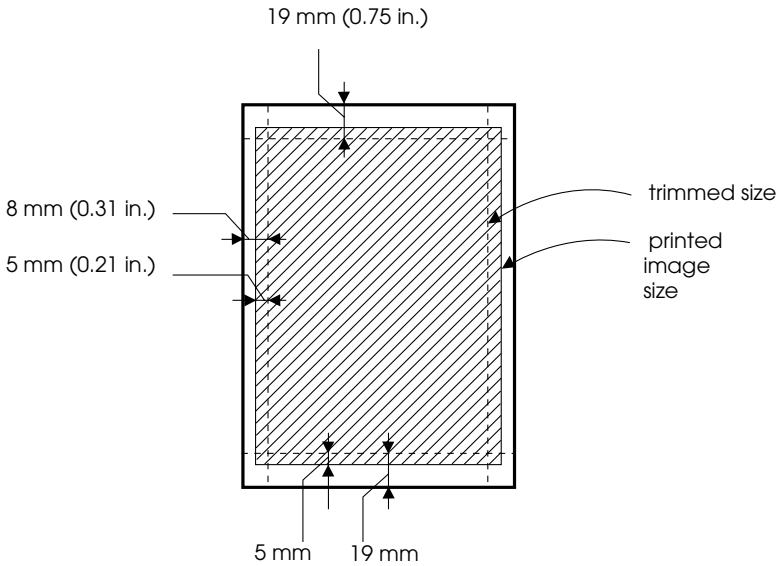
### ***Note:***

*Keep in mind that the edges of your image might be cut off when you remove the perforated margins. See the illustration below.*

## 4 x 6 inch



## 200 x 300 mm



### Storing EPSON Photo Paper

- ❑ Return unused paper to the original package as soon as you finish printing, and avoid storing it in places exposed to high temperature, humidity, or direct sunlight.
- ❑ EPSON recommends storing your printouts in a resealable plastic bag and keeping them away from high temperature, humidity, or direct sunlight.

## Chapter 4

---

# **Using the Printer Software for Windows**

Printer Software Introduction . . . . .	4-2
Getting more information . . . . .	4-2
Accessing the printer software . . . . .	4-2
Making Changes to Printer Driver Settings. . . . .	4-3
Making the Media Type setting . . . . .	4-4
Using the Automatic setting . . . . .	4-7
Using Photo Enhance mode . . . . .	4-8
Using custom settings . . . . .	4-8
Using the Advanced settings . . . . .	4-9
Previewing your printout. . . . .	4-12
Modifying the printout style . . . . .	4-14
Using the Paper menu settings. . . . .	4-15
Fitting your document to the paper size. . . . .	4-16
Printing 2 or 4 pages on one sheet . . . . .	4-17
Printing posters. . . . .	4-18
Printing a watermark on your document . . . . .	4-19
Using the Printer Utilities. . . . .	4-21
Status Monitor 3 . . . . .	4-22
Nozzle Check. . . . .	4-22
Head Cleaning. . . . .	4-22
Print Head Alignment . . . . .	4-23
Printer and Option Information . . . . .	4-23
Speed & Progress . . . . .	4-24
Monitoring Preferences . . . . .	4-25
Getting Information With Online Help . . . . .	4-26

---

## **Printer Software Introduction**

You can use the printer driver software to control the Stylus Scan's print functions. This software lets you choose from a wide variety of settings to get the best results for the type of printout you want to make. It also includes utilities that you can use to print out test sheets and perform maintenance tasks.

### **Getting more information**

For information on using the printer driver, see “Making Changes to Printer Driver Settings” on page 4-3.

For information on using the printer utilities, see “Using the Printer Utilities” on page 4-21.

**Note:**

*The specific features available in the printer software vary depending on the version of Windows you are using.*

Online help provides more information about the printer software. See “Getting Information With Online Help” on page 4-26 for instructions on accessing help.

### **Accessing the printer software**

You can access the printer software from most Windows applications and from the Start menu.

When you access the printer software from a Windows application, the settings you make apply only to the application you are using.

When you access the printer software from the Start menu, the settings you make apply to all of your Windows applications.

## ***From Windows applications***

Open the File menu and choose Print or Print Setup. Then click either Printer, Setup, Options, or Properties to open the printer driver window. (Depending on your application, you may need to use more than one of these buttons to get to the driver window.)

## ***From the Start menu***

1. Click Start, point to Settings, then click Printers.
2. Select the EPSON Stylus Scan 2500 icon, then select Properties from the File menu. The printer software window appears.

---

## ***Making Changes to Printer Driver Settings***

The printer driver provides the following setting menus.

Main	Media Type, Ink, Mode
Paper	Paper size, Copies, Orientation, Printable Area
Layout	Reduce/Enlarge, Multi-Page, Watermark

The settings on the Main menu are arranged to give you four levels of control over the printer driver, as explained below.

<b>Automatic</b>	The quickest and easiest way to start printing. See "Using the Automatic setting" on page 4-7.
<b>PhotoEnhance</b>	Lets you apply a variety of image-correction settings specially designed for photos. See "Using Photo Enhance mode" on page 4-8.
<b>Custom</b>	Choose from a list of ready-made settings suited to the kind of document you want to print. You can also add your own settings to this list. See "Using custom settings" on page 4-8.

<b>Advanced</b>	Allows you to make detailed settings to fit your individual needs. You can also add your settings to the Custom settings list. See "Using the Advanced settings" on page 4-9.
-----------------	---

In addition to making groups of settings that affect overall print quality, you can also modify individual aspects of the print style and layout using the Paper and Layout menus. See "Modifying the printout style" on page 4-14.

### ***Making the Media Type setting***

The Media Type setting determines what other settings are available, so you should always make this setting first.

On the Main menu, select the Media Type setting that matches the paper loaded into the Stylus Scan. Find your paper in the list below, then select a corresponding Media Type setting (shown in bold). For some kinds of paper, you have several Media Type settings to choose from.

## Plain Paper

Plain paper

Envelopes

EPSON Premium Ink Jet Plain Paper (A4) S041214

## 360 dpi Ink Jet Paper

EPSON 360 dpi Ink Jet Paper (A4) S041059  
S041025

EPSON 360 dpi Ink Jet Paper (Letter) S041060  
S041028

EPSON Iron-On Cool Peel Transfer Paper (A4) S041154

EPSON Iron-On Cool Peel Transfer Paper (Letter) S041153  
S041155

## Photo Quality Ink Jet Paper

EPSON Photo Quality Ink Jet Paper (A4) S041061  
S041026

EPSON Photo Quality Ink Jet Paper (Letter) S041062  
S041029

EPSON Photo Quality Ink Jet Paper (Legal) S041067  
S041048

EPSON Photo Quality Ink Jet Card (A6) S041054

EPSON Photo Quality Ink Jet Card (5 × 8") S041121

EPSON Photo Quality Ink Jet Card (8 × 10") S041122

EPSON Photo Quality Self-Adhesive Sheet (A4) S041106

EPSON Ink Jet Note Cards A6 (with envelopes) S041147

EPSON Ink Jet Greeting Cards 5 x 8" (with envelopes) S041148

EPSON Ink Jet Greeting Cards 8 x 10" (with envelopes) S041149



## Matte Paper-Heavyweight

EPSON Matte Paper-Heavyweight (A4)	S041256 S041258 S041259
EPSON Matte Paper-Heavyweight (Letter)	S041257

## Photo Paper

EPSON Photo Paper (A4)	S041140
EPSON Photo Paper (Letter)	S041141
EPSON Photo Paper (4 × 6")	S041134
EPSON Photo Paper (100 × 150 mm)	S041255
EPSON Photo Paper (200 × 300 mm)	S041254
EPSON Panoramic Photo Paper (210 × 594 mm)	S041145
EPSON Photo Paper Cards (A4)	S041177

## Photo Quality Glossy Film

EPSON Photo Quality Glossy Film (A4)	S041071
EPSON Photo Quality Glossy Film (Letter)	S041072
EPSON Photo Quality Glossy Film (A6)	S041107
EPSON Photo Stickers 16 (A6)	S041144
EPSON Photo Stickers 4 (A6)	S041176

## Ink Jet Transparencies

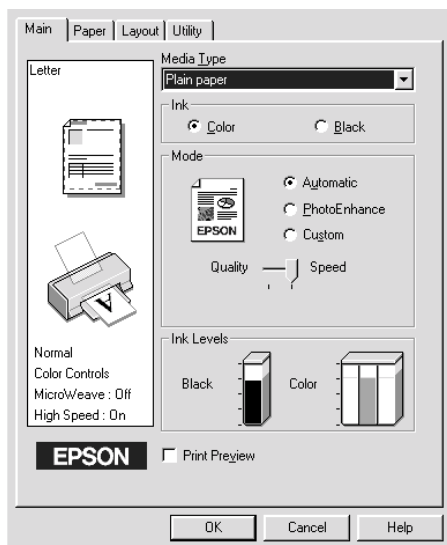
EPSON Ink Jet Transparencies (A4)	S041063
EPSON Ink Jet Transparencies (Letter)	S041064

### **Note:**

*The availability of special media varies by location.*

## Using the Automatic setting

When Automatic is selected from the Main menu, the printer driver takes care of all detailed settings based on the current Media Type and Ink settings. To make the Ink setting, click **Color** to print in color, or **Black** to print in black-and-white or grayscale. To make the Media Type setting, see “Making the Media Type setting” on page 4-4.



### Note:

- ❑ Depending on the media you choose in the Media Type list (when Automatic is selected), a slide bar appears in the Mode box that lets you choose Quality or Speed. Select Quality when print quality is more important than speed.
- ❑ Most Windows applications feature paper size and page layout settings that override similar settings on the printer driver. However, if your application does not have these settings, verify the settings on the printer driver's Paper menu.

## Using Photo Enhance mode

The Photo Enhance option provides a variety of image-correction settings that you can apply to your photo images before printing. Photo Enhance does not affect your original data.

If you are printing photos taken with a digital camera, you can also select the Digital Camera Correction check box to give your printed images the smooth, natural appearance of photographs taken with a film camera.

### **Note:**

- This mode is available only when you are printing in color.*
- Printing with Photo Enhance selected may increase print time depending on your computer system and the amount of data contained your image.*

The Photo Enhance mode provides the following settings.

<b>Standard</b>	Standard image correction for most photos. Try this setting first.
<b>People</b>	Best for photos of people.
<b>Nature</b>	Best for outdoor scenery such as mountains, sky, and oceans.
<b>Soft Focus</b>	Makes your photos look as if they were taken with a soft-focus lens.
<b>Sepia</b>	Applies a sepia tone to your photos.

## Using custom settings

Custom settings let you make a wide range of changes. In the Custom settings list, you'll find ready-made settings provided by EPSON designed to match a particular kind of printout, such as graphs and charts used in a presentation, or images taken by a digital camera.

You can also create your own settings and add them to this list.

The Custom settings list includes the following ready-made settings.

<b>Text/Graph</b>	Good for printing presentation documents such as graphs and charts.
<b>Economy</b>	Good for printing drafts of text
<b>ICM</b>	ICM means Image Color Matching. This feature automatically adjusts printout colors to match colors on your screen.
<b>sRGB</b>	Best for color matching with other sRGB devices.

Follow the steps below to select a Custom setting.

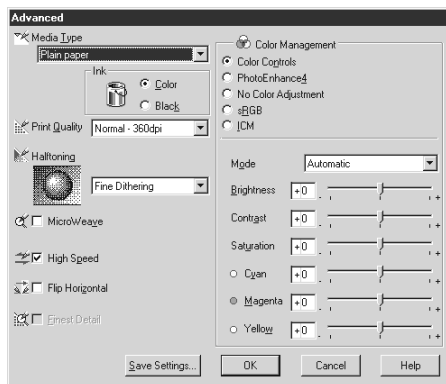
1. Click the Custom button on the Main menu.
2. From the Custom settings list, select the most appropriate setting for the type of document or image you will print.
3. When you choose a setting, other settings such as Print Quality, Halftoning, and Color Adjustment are set automatically. Changes are shown in the Current Settings display at the bottom of the Main menu.
4. Before printing, be sure to verify the Media Type and Ink settings, as they may be affected by the Custom setting you select. See “Making the Media Type setting” on page 4-4.

### ***Using the Advanced settings***

The Advanced settings give you complete control over your printing environment. Use these settings to experiment with new printing ideas, or to fine-tune a range of print settings to meet your individual needs. Once you are satisfied with your new settings, you can give them a name and add them to the Custom settings list.

Follow the instructions below to make and save Advanced settings.

1. Click the Custom button on the Main menu and then click Advanced. The following dialog box appears.



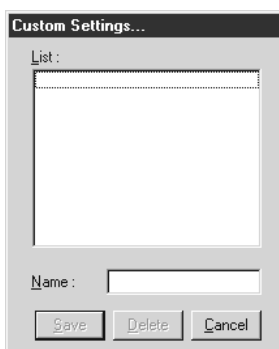
2. Select the Media Type you loaded in the Stylus Scan. For details, see “Making the Media Type setting” on page 4-4.
3. Choose Color or Black for the Ink option.
4. Select the Print Quality setting.
5. Make other settings as needed. For details, see online help.

**Note:**

- ❑ *The Photo Enhance 4 setting under the Color Management option only affects images, not text or graphs. If Monochrome is selected from the Tone list, for example, only the images in a document will be printed in monochrome. Any colored text and graphs in the same document will be printed in color.*
- ❑ *Some settings may be disabled depending on the Media Type, Ink, and Print Quality settings you make.*

6. Click OK to apply your settings and return to the Main menu. If you want to return to the Main menu without applying your settings, click Cancel.

To save your Advanced settings, click Save Settings in the Advanced dialog box. The Custom Settings dialog box appears.



Type a unique name for your settings in the Name box, and click the Save button. Your settings will be added to the Custom settings list.

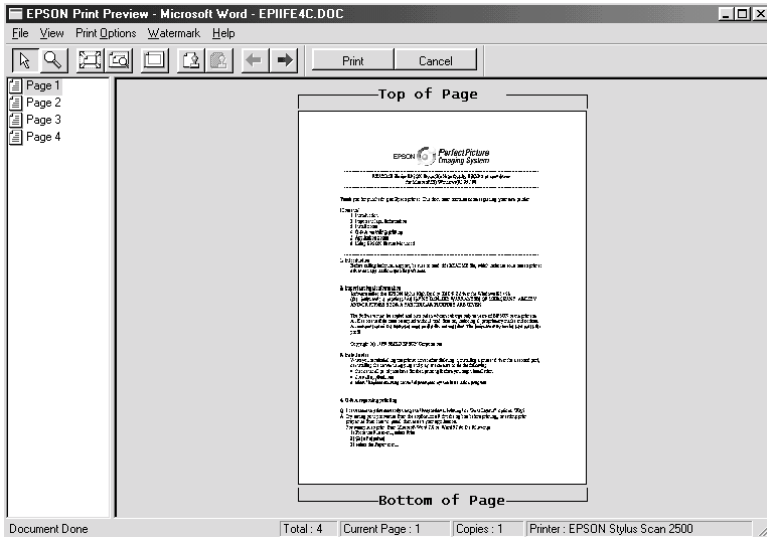
**Note:**

- You cannot use the names of settings provided by EPSON for your custom settings.
- To delete a setting, select the setting in the Custom Settings dialog box and click Delete.
- You cannot delete ready-made settings from the Custom Settings list.




When you select your saved settings in the Custom settings list, be aware that making new settings (for example Media Type and Ink settings) may change your custom settings. This may cause unexpected results in your printout. If this happens, reselect your saved settings and try printing again.






## Previewing your printout

To see a preview of your document before printing it, select the Print Preview check box on the Main menu. When you print your document, the Print Preview window appears:



The Preview dialog box contains several icon buttons you can use to perform the following functions.

	Zoom	This option enlarges the size of the previewed page by a factor of 2.
	Fit-to-screen	This option scales the previewed page so that it fits the size of the page display window. Select this option if you want to see the entire page at one time.
	Maximum zoom	This option displays the previewed page at the maximum possible zoom ratio.



	Printable area on/off	Selecting this option will display a rectangle on the page being previewed. This rectangle is the printable area for the page. The Stylus Scan cannot print anything which exceeds this rectangle.
	Watermark	This option displays the watermark settings dialog. This dialog allows you to change any of the current watermark settings.
	Reset watermark settings	This option returns all watermark settings to what they were when the Preview was first opened. If nothing has been changed, this option appears grayed out.
	Previous page	This option displays the page previous to the page currently being previewed. (If there is no previous page then this option is grayed out)
	Next page	This option displays the next page in the document. (If there is no next page then this option is grayed out)

You can also manipulate the previewed document in the following ways:

- Select and preview individual pages.
- Reduce or enlarge the size of the preview.
- Select and print any or all pages.
- Apply watermarks. The watermark you select will appear in the previewed image. For detailed information on customizing watermarks, see “Printing a watermark on your document” on page 4-19.



- ❑ The Add and Remove options allow you to specify which pages in the document you wish to be printed. To add or remove page, you must first highlight the page in the list of page icons appearing on the left side of the preview window. Highlight the page by clicking once on the page icon. Then select or deselect from the Print Options menu.

	Add page	The highlighted pages will be added to the list of pages to be printed.
	Remove page	The highlighted pages will be removed from the list of pages to be printed.

After you have previewed the document, click **Print** to print, or **Cancel** to cancel printing.

---

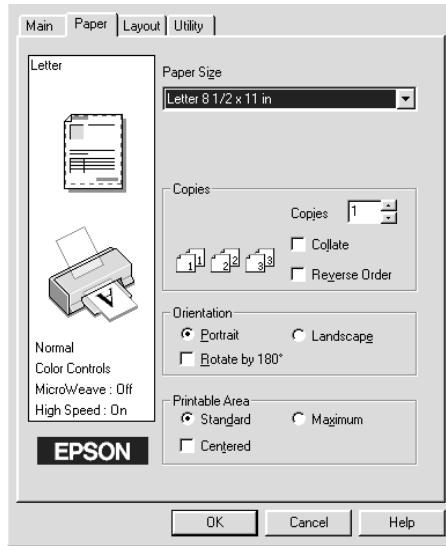
## ***Modifying the printout style***

You can modify your printout style using a variety of printer driver settings located on the Paper and Layout menus.

On the Paper menu, you can make settings for the paper size, number of copies, the orientation of your printout, and the printable area. On the Layout menu you can automatically match the document size to the paper size, print 2 or 4 pages on a single sheet, print poster-size images by enlarging one page to cover several sheets, or place watermarks on documents.

## Using the Paper menu settings

Use the Paper menu to change the paper size, set the number of copies and other settings, specify the paper orientation, or adjust the printable area.



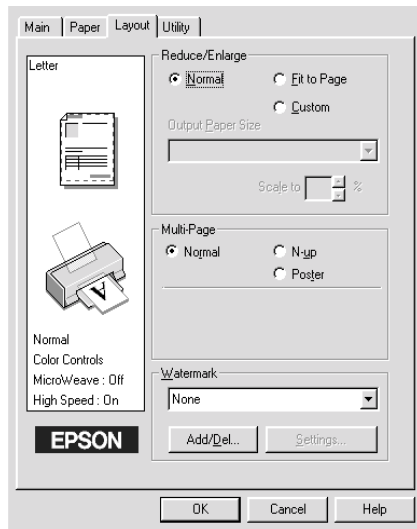
You can make the following settings:

<b>Paper Size</b>	Select the paper size you want to use. You can also add a custom paper size.
<b>Copies</b>	You can determine the order in which you print multiple copies of your document: Collated (printing a set at a time), or in Reverse order.
<b>Orientation</b>	To change the orientation of your printout, select Portrait (tall) or Landscape (wide). If you need to print close to the bottom of the page, select the Rotate by 180° check box.

<p><b>Printable Area</b></p>	<p>Use the options in the Printable Area box to adjust the total area available for printing. If you want to center the printout, click Center. If you need to increase the printable area, click Maximum.</p> <p><b>Note:</b> When Maximum is selected, the print quality may decline at the edges of the printout. Before printing large jobs using this setting, print a single sheet to confirm quality. When Maximum is selected, make sure the paper loaded in the sheet feeder is not curled.</p>
------------------------------	--

## *Fitting your document to the paper size*

To fit the size of your document to the size of the paper you will print on, use the Reduce/Enlarge options on the Layout menu.



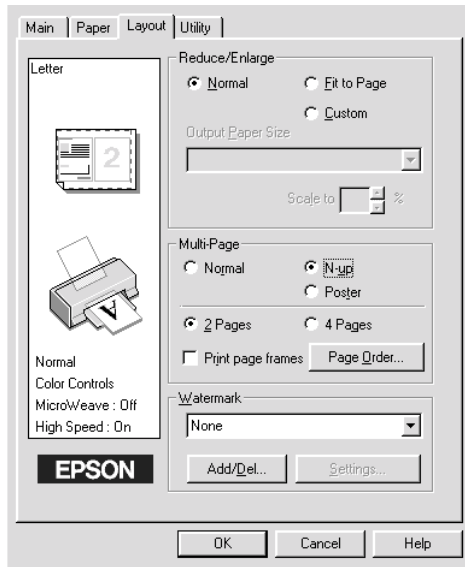
You can select the following.

<p><b>Normal</b></p>	<p>Prints your document at its normal size.</p>
----------------------	---

<b>Fit to Page</b>	Proportionally enlarges or reduces the size of your document to make it fit the paper size you select in the Paper Size list on the Paper menu.
<b>Custom</b>	Allows you to manually define the percentage you want to enlarge or reduce an image. Click the arrows next to the Proportion box to select from 10% to 400%.

## ***Printing 2 or 4 pages on one sheet***

To print 2 or 4 pages of your document on one sheet of paper, use the Multi-Page option on the Layout menu.



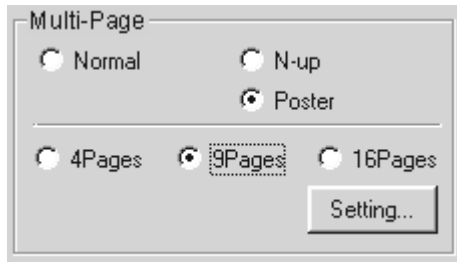
Select N-up as the Multi-Page option, then make the following settings.

<b>2 Pages 4 Pages</b>	Prints 2 or 4 pages of your document on a single piece of paper.
<b>Page Order</b>	Allows you to specify the order of the pages you want to print.

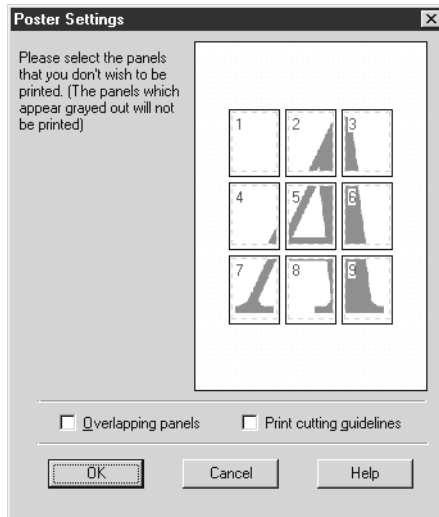
<b>Print page frames</b>	Allows you to print a frame around each page on the sheet of paper.
--------------------------	---

## Printing posters

You can use the Poster setting in the Multi-Page option to print a poster-size image. A single document page can be enlarged to cover 4, 9, or 16 printed pages.



To adjust the way your poster will print, click the Settings button. The Poster Setting dialog box appears.



You can make the following settings.

<b>Overlapped Panels</b>	Slightly overlaps the images so that they can be aligned more precisely.
<b>Print cutting guidelines</b>	Prints border lines on the images to guide you when trimming the pages.

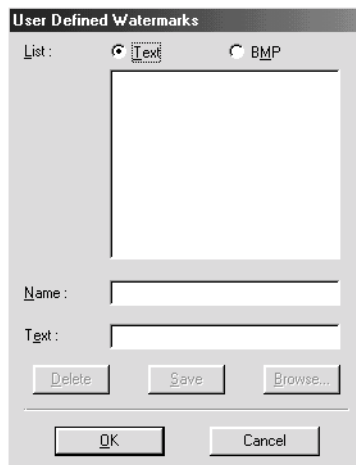
If you only want to print a few of the panels without printing the entire poster, click the panels you don't need, then click OK to close the Poster Settings dialog box.

## ***Printing a watermark on your document***

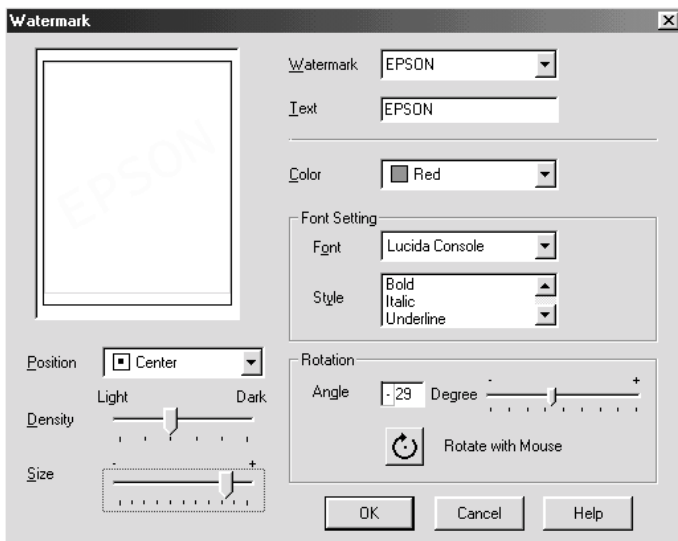
To print a watermark on your document, use the Watermark option on the Layout menu, and select from a list of predefined watermarks.

You can also add your own text-based or image-based watermarks to the Watermark Name list. Follow these steps.

1. Click the Add/Del button. The following dialog appears.



2. To use an image file as a watermark, select BMP. Click the Browse button to select the bitmap file you want to use, then click OK. To create a text-based watermark, enter your text in the Text box.
3. Name your watermark in the Name box, then click Save. Click OK to return to the Layout menu.
4. To make settings for your watermark, click the Settings button. The following dialog appears.



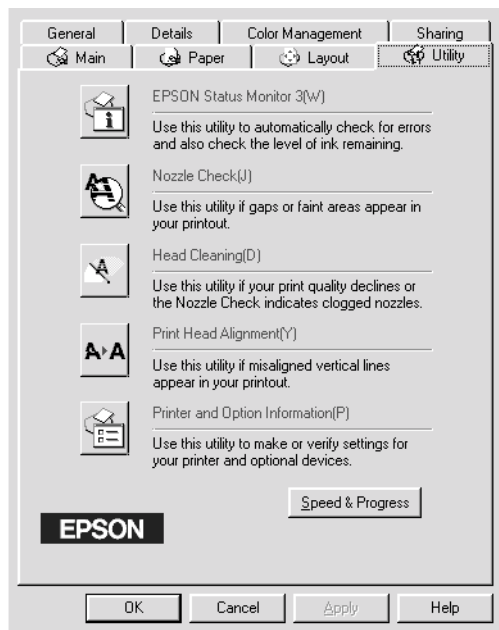
5. Select the name of watermark for which you want to make settings from the Watermark list, and make color, position, density, and size settings. The settings you make appear on the left side of the dialog box. After you finish making settings, click OK.

---

## Using the Printer Utilities

EPSON printer utilities allow you to monitor printing status and to perform maintenance tasks from your computer.

To use the utilities, click the Utility tab in the printer software window, then click the button for the utility you want to use. For information on how to access the printer software, see “Accessing the printer software” on page 4-2.



### Note:

- ❑ *The letter in parentheses after the utility name indicates the shortcut key for that utility. Press Alt and the letter on the keyboard to open that utility.*
- ❑ *Do not use the Nozzle Check, Head Cleaning, or Print Head Alignment utility if your Stylus Scan is connected to your computer through a network.*



- ❑ *Do not use the Nozzle Check, Head Cleaning, or Print Head Alignment utility while printing is in progress, as doing so may mar the printout*

### **Status Monitor 3**

Provides you with printer status information, such as the amount of ink remaining, and checks for printer errors.

This utility is available only if:

- ❑ The Stylus Scan is connected directly to the host computer via the parallel port [LPT1], or via USB.
- ❑ Your system is configured to support bidirectional communication.

### **Nozzle Check**

Checks the print head nozzles for clogging. Check the nozzles if you notice print or copy quality has declined and after cleaning to confirm that the print head nozzles have been cleaned. If the nozzle check indicates the print head needs cleaning, you can access the Head Cleaning utility directly from the Nozzle Check utility. See “Checking the Print Head Nozzles” on page 11-2.

### **Head Cleaning**

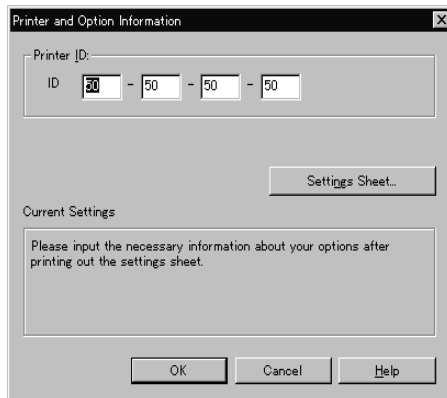
Cleans the print head. You may need to clean the head when you notice print quality has declined. Use the Nozzle Check utility first to confirm that the head needs to be cleaned. You can access the Nozzle Check utility directly from the Head Cleaning utility. See “Cleaning the Print Head” on page 11-4.

## Print Head Alignment

Aligns the print head. Use this utility if you notice a misalignment of vertical lines.

## Printer and Option Information

This utility allows the printer driver to confirm the Stylus Scan's printer configuration. It also provides specific information regarding certain characteristics of the Stylus Scan, such as its Printer ID.



Depending on the configuration of your system, the information displayed in the Printer and Option Information dialog box may be updated automatically, or may need to be entered manually.

If a message appears in the Current Settings window prompting you to enter settings, or if you change the Stylus Scan configuration, follow the steps below to make the necessary settings manually.

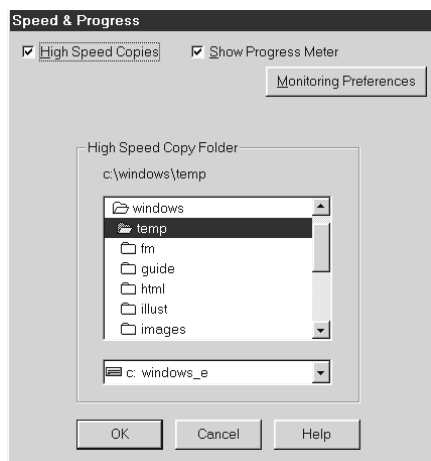
1. Click the Settings Sheet button in the Printer and Option Information dialog box to print out information about the Stylus Scan and its options. This requires A4 or Letter size paper. You will see a printout similar to the one below.

Printer ID  
50- 50- 50- 50

2. Make sure the settings in the utility match the information on the printed Settings Sheet. If they do not match, correct the settings on the screen to match the information on the settings sheet.
3. Click OK to exit this menu and save your settings.

## Speed & Progress

You can make settings related to print speed and progress with this feature.



## High Speed Copies

To quickly print multiple copies of your document, turn on High Speed Copies.

## Show Progress Meter

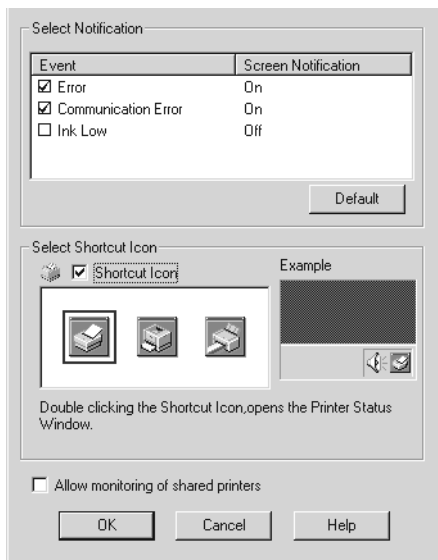
To monitor the progress of your print job, turn on Show Progress Meter.

## Monitoring Preferences

Click this button to open the Monitoring Preferences Dialog box where you can make settings for EPSON Status Monitor 3. The available settings are explained in the next section.

## Monitoring Preferences

When you click the Monitoring Preferences button, the following dialog box appears.



You can change the following settings:

### Select Notification

<b>Select Notification</b>	Displays the error item check box ON/OFF status. Turn on this checkbox to display the selected error notification
<b>Select Shortcut Icon</b>	The selected icons are displayed in the task tray on the PC screen. A preview is shown on the right window. By clicking the shortcut icon, you can access the Monitoring Preferences dialog easily.
<b>Allow monitoring of shared printer</b>	When this check box is turned on, a shared device can be monitored by other PCs.

**Note:**

*Click the Default button to restore the settings in Select Notification to their default values.*

---

## **Getting Information With Online Help**

The Stylus Scan offers extensive online help. You can access help either from the application you are working in or directly from the operating system.

### **Accessing help from your application**

Each printer-driver menu includes a Help button that provides information about all of the settings offered by that menu. Simply go the appropriate menu (Main, Paper, Layout, or Utility) and then click Help.

To get help about a single item on any of the device driver menus, right-click the item and then click the What's This? prompt.

## Accessing help from the start menu

Click the Start button, point to Programs and then to Epson Stylus Scan. Then click EPSON Stylus Scan 2500 Help. The help contents window appears.

---

## Increasing the Print Speed

### General tips

Just as printing at a high resolution requires more processing time, printing in color takes longer than printing in black because the volume of data in a color document is much greater. For this reason, it is important to be selective in your use of color if you also require a faster print speed.

Even if your document requires the highest resolution and extensive use of color, for example when printing a camera-ready composite that includes color photographs, it may still be possible to optimize the print speed by adjusting other printing conditions. Keep in mind that changing some conditions to increase the print speed may also lower print quality.

The following table shows the factors that positively and negatively affect print speed and print quality (increasing one decreases the other).

<b>Print quality</b> <b>Print speed</b>	<b>Lower</b> <b>Faster</b>	<b>Higher</b> <b>Slower</b>
<b>Printer driver settings</b>		
Print Quality	Economy, Normal	Super fine
High Speed	On	Off
Halftoning	No Halftoning	Error Diffusion
Finest Detail	Off	On

<b>Print quality</b>	<b>Lower</b>	<b>Higher</b>
<b>Print speed</b>	<b>Faster</b>	<b>Slower</b>
<b>Data characteristics</b>		
Image size	Small	Large
Resolution	Low	High

The table below shows the factors related to print speed only.

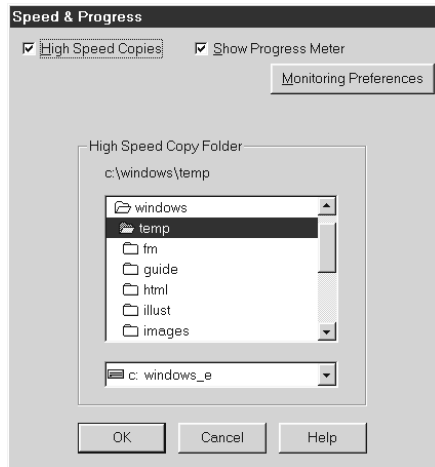
	<b>Print speed</b>	
	<b>Faster</b>	<b>Slower</b>
<b>Printer driver settings</b>		
Ink	Black	Color
Collate*	Off	On
Reverse Order*	Off	On
Flip Horizontal*	Off	On
<b>Data characteristics</b>		
Variety of colors	Grayscale**	Full color
<b>Hardware resources</b>		
System speed	Fast	Slow
HDD free space	Large	Small
Memory free space	Large	Small
<b>Software status</b>		
Running applications	One	Many
Virtual memory	Not in use	In use

\* Varies depending on the printer driver and application software you are using.

\*\* Grayscale means using black ink only to print varying shades of gray, from pure black to pure white.

## Using the High Speed Copies feature

To access this feature, click the Speed & Progress button on your printer software's Utility menu. The following dialog box appears.



Select the High Speed Copies to make copies faster. This speeds up printing by using your hard disk space as a cache when printing multiple copies of your document.





## Chapter 5

---

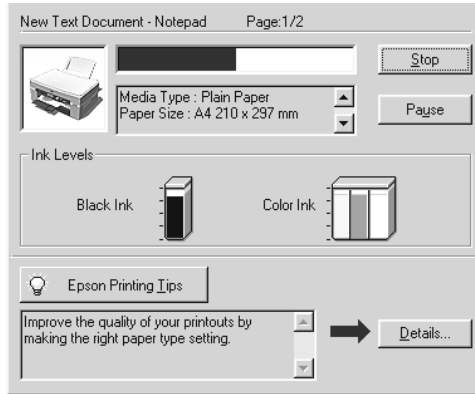
# **Checking Printer Status and Managing Print Jobs for Windows**

Using the Progress Meter . . . . .	5-2
Using EPSON Spool Manager . . . . .	5-3
Using EPSON Status Monitor 3 . . . . .	5-4
Accessing EPSON Status Monitor 3 . . . . .	5-4

---

## Using the Progress Meter

When you send a print job to the Stylus Scan, the Progress Meter shown below appears on your computer screen.



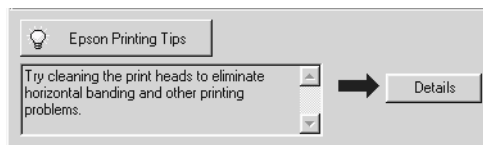
The Progress Meter indicates the progress of the current print job and provides printer status information when bidirectional communication between the Stylus Scan and the computer is established. This meter also displays helpful tips for better printing, as explained below.

**Note:**

*The Progress Meter does not appear when Show Progress is turned off in the Speed & Progress dialog box. See "Speed & Progress" on page 4-24 for information.*

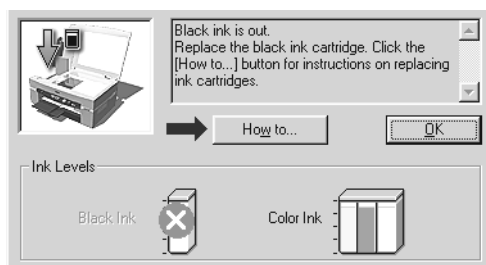
## EPSON Printing Tips

Tips for getting the most out of your EPSON printer driver appear at the bottom of the Progress Meter window. A new tip appears every 30 seconds. For more details on a displayed tip, click the Details button.



## Error messages

If a problem occurs while printing, an error message appears in the Progress Meter window. When ink is low or out, the How to button appears in the Printer Status window. Click the How To button and the Status Monitor will lead you step-by-step through the cartridge replacement procedure.

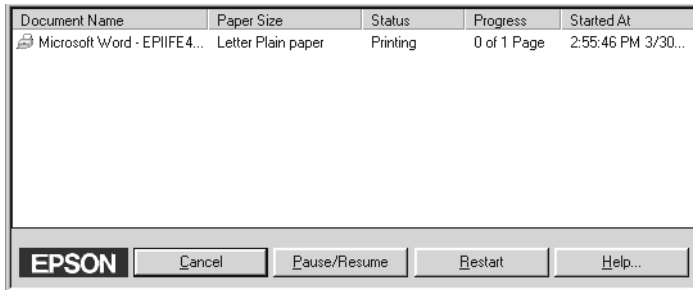


---

## Using EPSON Spool Manager

The EPSON Spool Manager is similar to Windows Print Manager. If it receives two or more print jobs at one time, it stores them temporarily (on a network this may be called a print queue) in the order received. When a print job reaches the top of the order, the EPSON Spool Manager sends the job to the Stylus Scan.

After you send a print job, the EPSON Stylus Scan 2500 button appears on the taskbar. Click this button to view print status information about print jobs sent to that Stylus Scan. You can also cancel, pause, resume, or restart selected print jobs from the Spool Manager.



---

## Using EPSON Status Monitor 3

The Status Monitor utility displays detailed information on the printer status.

### **Note:**

*Before using the Status Monitor, be sure to read the README file. To open this file, Click Start, point to Programs, click Epson, and then click EPSON Stylus Scan 2500 Readme.*

## Accessing EPSON Status Monitor 3

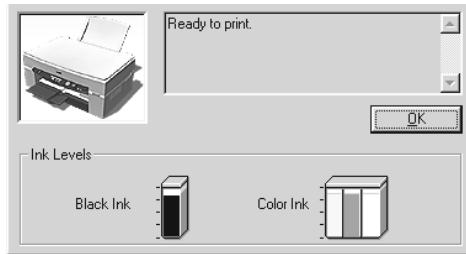
There are two ways to access EPSON Status Monitor 3.

- Double-click the printer-shaped shortcut icon on the taskbar at the bottom of your computer screen. To add a shortcut icon to the task bar, see “Monitoring Preferences” on page 4-25.
- Open the printer software window, click the Utility tab, then click the EPSON Status Monitor 3 button.

## **Printer Status window**

To get more detailed information, you can access the Printer Status window from the printer software window. Click the Utility tab, then click the EPSON Status Monitor 3 button.

When you access the Printer Status window, the following window appears.



You can view the following information in the Printer Status window.

- Current Status**  
Provides you with detailed printer status information, a graphic display, and status messages. If ink is low or out, the How to button appears in the lower message box. Clicking the button displays cartridge replacement instructions and moves the print head to the cartridge replacement position.
- Ink levels**  
Provides a graphic display of the amount of ink remaining.



## Chapter 6

# ***Using the Printer Software for Macintosh***

---

Printer Software Introduction . . . . .	6-2
Making Changes to Printer Driver Settings. . . . .	6-2
Making the Media Type settings . . . . .	6-3
Using the Automatic setting . . . . .	6-7
Using Photo Enhance Mode . . . . .	6-7
Using the Custom Mode . . . . .	6-8
Using the Advanced settings . . . . .	6-9
Changing the page setup. . . . .	6-12
Defining a custom paper size . . . . .	6-13
Modifying the Layout . . . . .	6-15
Fitting your document to the paper size. . . . .	6-15
Printing 2 or 4 pages on one sheet . . . . .	6-16
Printing posters. . . . .	6-17
Printing a watermark on your document . . . . .	6-18
Setting a Print Time. . . . .	6-21
Previewing Your Printout . . . . .	6-22
Saving Print Data in Files . . . . .	6-23
Using the Printer Utilities for Macintosh . . . . .	6-25
EPSON StatusMonitor . . . . .	6-25
Nozzle Check. . . . .	6-26
Head Cleaning. . . . .	6-26
Print Head Alignment . . . . .	6-26
Configuration . . . . .	6-26



---

## **Printer Software Introduction**

The printer software includes a printer driver and printer utilities. The printer driver lets you choose from a wide variety of settings to get the best results from your printer. The printer utilities help you check the Stylus Scan and keep it in top condition.




For information on using the printer driver, see “Making Changes to Printer Driver Settings” on page 6-2.

You can get more information about the printer software by clicking the Help button in the printer software dialog boxes.

---

## **Making Changes to Printer Driver Settings**

You will find the printer driver settings in the following dialog boxes.

- ❑ Print dialog box (click Print on the File menu of your application or click Options in the Page Setup dialog box)
- ❑ Page Setup dialog box (click Page Setup on the File menu of your application)
- ❑ Layout dialog box (click the  Layout button in the Print dialog box)
- ❑ Background Printing dialog box (click the  Background Printing button located in the Print dialog box)
- ❑ Preview dialog box (click the  Preview button and then click Preview in the Print dialog box)

**Note:**

- ❑ *The driver settings are not saved from one application to the next. Whenever you exit one application and open a new one, you will have to make the driver settings again.*

- ❑ *If you make settings from the Page Setup dialog box, they will be saved with your document. The next time you open the document, the settings will return to what they were when you saved the document.*

The settings are arranged to give you four levels of control over the printer driver, as explained below.

<b>Automatic</b>	The quickest and easiest way to start printing. See "Using the Automatic setting" on page 6-6.
<b>PhotoEnhance</b>	Lets you apply a variety of image-correction settings specially designed for photos. See "Using Photo Enhance Mode" on page 6-6.
<b>Custom</b>	Choose from a list of ready-made settings suited to the kind of document you want to print. You can also add your own settings to this list. See "Using the Custom Mode" on page 6-7.
<b>Advanced</b>	Allows you to make detailed settings to fit your individual needs. You can also add your settings to the Custom settings list. See "Using the Advanced settings" on page 6-8.

In addition to making groups of settings that affect overall print quality, you can also change page setup and layout using the Page Setup and the Layout dialog boxes. For information on page setup options, see "Changing the page setup" on page 6-11. For information on page layout options, see "Modifying the Layout" on page 6-14.

## ***Making the Media Type settings***

The Media Type setting determines what other settings are available, so you should always make this setting first.

In the Print dialog box, select the Media Type setting that matches the paper loaded in the Stylus Scan. Find your paper in the list below, then select a corresponding Media Type setting (shown in bold). For some kinds of paper, there are several Media Type settings to choose from.

## Plain Paper

Plain paper

Envelopes

EPSON Premium Ink Jet Plain Paper (A4) **S041214**

## 360 dpi Ink Jet Paper

EPSON 360 dpi Ink Jet Paper (A4) **S041059**  
**S041025**

EPSON 360 dpi Ink Jet Paper (Letter) **S041060**  
**S041028**

EPSON Iron-On Cool Peel Transfer Paper (A4) **S041154**

EPSON Iron-On Cool Peel Transfer Paper (Letter) **S041153**  
**S041155**

## Photo Quality Ink Jet Paper

EPSON Photo Quality Ink Jet Paper (A4) **S041061**  
**S041026**

EPSON Photo Quality Ink Jet Paper (Letter) **S041062**  
**S041029**

EPSON Photo Quality Ink Jet Paper (Legal) **S041067**  
**S041048**

EPSON Photo Quality Ink Jet Card (A6) **S041054**

EPSON Photo Quality Ink Jet Card (5 × 8") **S041121**

EPSON Photo Quality Ink Jet Card (8 × 10") **S041122**

EPSON Photo Quality Self Adhesive Sheet (A4) **S041106**

EPSON Ink Jet Note Cards A6 (with envelopes) **S041147**

EPSON Ink Jet Greeting Cards 5 × 8" (with envelopes) **S041148**

EPSON Ink Jet Greeting Cards 8 × 10" (with envelopes) **S041149**

## Matte Paper-Heavyweight

EPSON Matte Paper-Heavyweight (A4)	S041256 S041258 S041259
EPSON Matte Paper-Heavyweight (Letter)	S041257

## Photo Paper

EPSON Photo Paper (A4)	S041140
EPSON Photo Paper (Letter)	S041141
EPSON Photo Paper (4 × 6")	S041134
EPSON Photo Paper (100 × 150 mm)	S041255
EPSON Photo Paper (200 × 300 mm)	S041254
EPSON Panoramic Photo Paper (210 × 594 mm)	S041145
EPSON Photo Paper Cards (A4)	S041177

## Photo Quality Glossy Film

EPSON Photo Quality Glossy Film (A4)	S041071
EPSON Photo Quality Glossy Film (Letter)	S041072
EPSON Photo Quality Glossy Film (A6)	S041107
EPSON Photo Stickers 16 (A6)	S041144
EPSON Photo Stickers 4 (A6)	S041176

## Ink Jet Transparencies

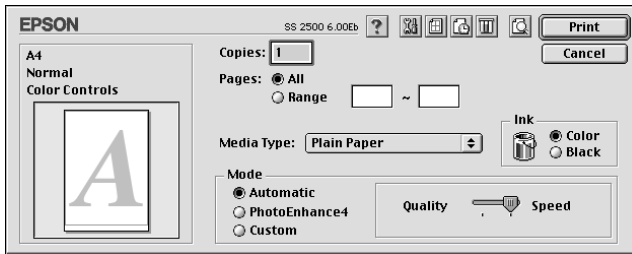
EPSON Ink Jet Transparencies (A4)	S041063
EPSON Ink Jet Transparencies (Letter)	S041064

### **Note:**

*The availability of special media varies by location.*

## Using the Automatic setting

When Automatic is selected as the Mode setting in the Print dialog box, the printer driver takes care of all detailed settings based on the current Media Type and Ink settings. To make the Ink setting, click Color to print in color, or Black to print in black-and-white or grayscale. To make the Media Type setting, see “Making the Media Type settings” on page 6-3.



### Note:

*Depending on the media you choose in the Media Type list when Automatic is selected, a slide bar appears in the Mode box that lets you choose Quality or Speed. Select Quality when print quality is more important than speed.*

## Using Photo Enhance Mode

The Photo Enhance option provides a variety of image-correction settings that you can apply to your photo images before printing. Photo Enhance does not affect your original data.

If you are printing photos taken with a digital camera, you can also select the Digital Camera Correction check box to give your printed images the smooth, natural appearance of photographs taken with a film camera.

**Note:**

- ❑ *This mode is available only when you are printing in color.*
- ❑ *Printing with Photo Enhance may increase print time depending on your computer system and the amount of data contained in your image.*

The Photo Enhance mode provides the following settings.

<b>Standard</b>	Standard image correction for most photos. Try this setting first.
<b>People</b>	Best for photos of people.
<b>Nature</b>	Best for outdoor scenery such as mountains, sky, and oceans.
<b>Soft Focus</b>	Makes your photos look as if they were taken with a soft-focus lens.
<b>Sepia</b>	Applies a sepia tone to your photos.

## ***Using the Custom Mode***

The Custom Settings list lets you make a wide range of changes. In this list, you'll find ready-made settings provided by EPSON designed to match a particular kind of printout, such as graphs and charts for a presentation or images taken by a digital camera.

You can also create your own settings and add them to this list. See "Using the Advanced settings" on page 6-8.

The Custom Settings list includes the following ready-made settings.

<b>Text/Graph</b>	Good for printing presentation documents such as graphs and charts.
<b>Economy</b>	Good for printing drafts of text.
<b>ColorSync</b>	This feature automatically adjusts printout colors to match colors on your screen.

Follow these steps to select a custom setting.

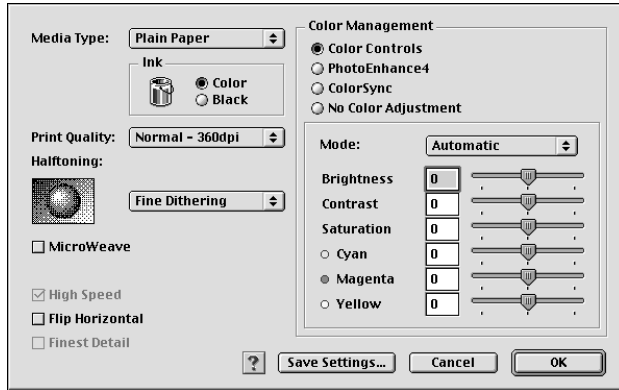
1. First, verify the Media Type and Ink settings in the Print dialog box. For details, see “Making the Media Type settings” on page 6-3.
2. Click the Custom button in the Print dialog box. This activates the Custom Settings list, located below and to the right of the Custom radio button.
3. From the Custom Settings list, select the most appropriate setting for the type of document or image you will print.
4. When you choose a custom setting, other settings such as Print Quality, Halftoning, and Color are set automatically. Changes are shown in the Current Settings display on the right side of the Print dialog box.

### ***Using the Advanced settings***

The Advanced settings give you complete control over your printing environment. Use these settings to experiment with new printing ideas, or to fine-tune a range of print settings to meet your individual needs. Once you are satisfied with your new settings, you can give them a name and add them to the Custom Settings list.

## Making settings

1. Click the Custom button in the Print dialog box, then click the Advanced button. The Advanced dialog box appears.



2. Select the Media Type that you loaded in the EPSON Stylus Scan. For details, see “Making the Media Type settings” on page 6-3.
3. Choose Color or Black as the Ink option.
4. Select the Print Quality setting.
5. Make other settings. For details, see online help.

### **Note:**

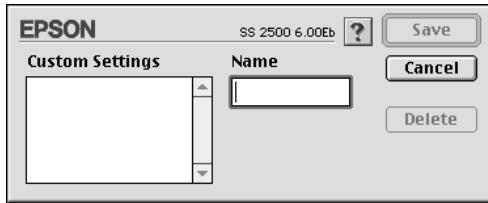
*Some settings are enabled or disabled depending on the Print Quality, Media Type, and Ink settings you make.*

6. Click OK to apply your settings and return to the Print dialog box. Click Cancel to return to the Print dialog box without applying your settings. To save your Advanced settings, see the next section.



## ***Saving and deleting your settings***

To save your Advanced settings as a group, click Save Settings in the Advanced dialog box. The Custom Settings dialog box appears.



Type a unique name (up to 16 characters) for your settings in the Name box, and click Save.

### ***Note:***

*The names of the ready-made settings provided by EPSON cannot be applied to your new settings.*

You can save up to 10 groups of settings. You can select your saved group of settings from the settings list in the Print dialog box.

To delete a setting, select the setting in the Custom Settings dialog box and click Delete.

### ***Note:***

*You cannot delete the ready-made settings from the Custom Settings list.*

## ***Using your saved settings***

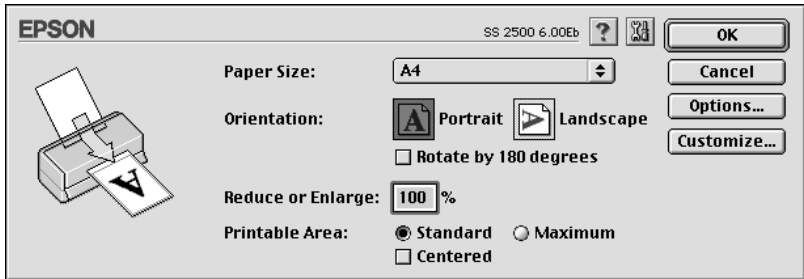
To select your settings, click the Custom button in the Print dialog box, then select your setting from the Custom Settings list, located below and to the right of the Custom button.

If you change the Media Type or Ink option when one of your customized settings is selected in the settings list, the selection shown in the list changes to a new custom setting. The customized setting that was previously selected is not affected by this change. To return to the previously selected custom setting, simply select it from the list again.

## Changing the page setup

In the Page Setup dialog box, you can change the paper size, specify the orientation of your printout, and adjust the printable area.

Choose Page Setup from the File menu of your application. The Page Setup dialog box appears.



You can change the following settings.

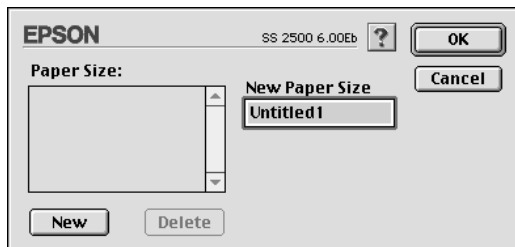
<b>Paper Size</b>	Select the paper size you want to use. If you want to define a custom paper size, see "Defining a custom paper size".
<b>Orientation</b>	Use this setting to specify the direction of printing on the page: Portrait (tall) or Landscape (wide). If you need to print close to the bottom of the page, click Rotate by 180 degrees.
<b>Reduce or Enlarge</b>	Use this setting to reduce or enlarge the size of your image.

<p><b>Printable Area</b></p>	<p>Select Maximum to increase the printable area.</p> <p><b>Note:</b> Print quality may decline at the edges of the expanded printable area. Print a single sheet to confirm quality before printing large jobs using this setting. Also, make sure the paper loaded in the sheet feeder is not curled.</p> <p>Click Centered to position your printout at equal distances from the edges of the paper.</p>
------------------------------	---

## Defining a custom paper size

If your paper size is not included in the paper size list in the Page Setup dialog box, follow the steps below to define a custom paper size.

1. In the Page Setup dialog box, click Customize. The following dialog box appears.



2. To define a new paper size, click New. The dialog box changes to allow you to enter a name for the new size.




3. Type the paper size name in the New Paper Size box.
4. Specify the measurement unit as either Inches or cm.
5. Type in the width and the height.
6. Click OK. You return to the Page Setup dialog box.

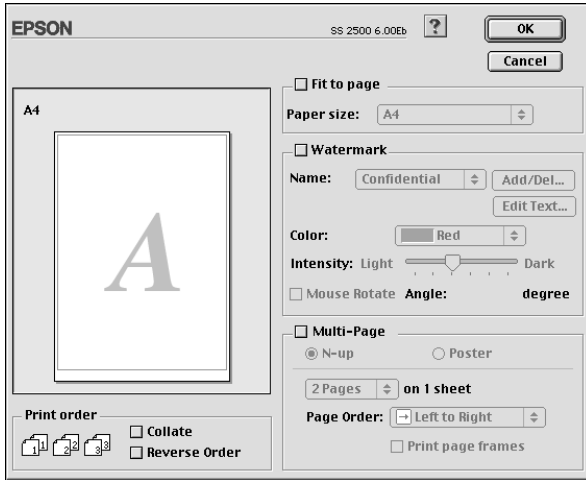
You can define up to 30 paper sizes. The paper size names you create will appear in the Paper Size menu in the Page Setup dialog box.

To delete a custom paper size, click **Customize** in the Page Setup dialog box, select its name from the list in the Custom Paper dialog box, and click **Delete**.

---

## Modifying the Layout

You can modify the page layout of your document using the printer driver settings located in the Layout dialog box, shown below. To open this dialog box, click Print on the File menu of your application and click the  Layout button in the Print dialog box. The Layout dialog box appears.



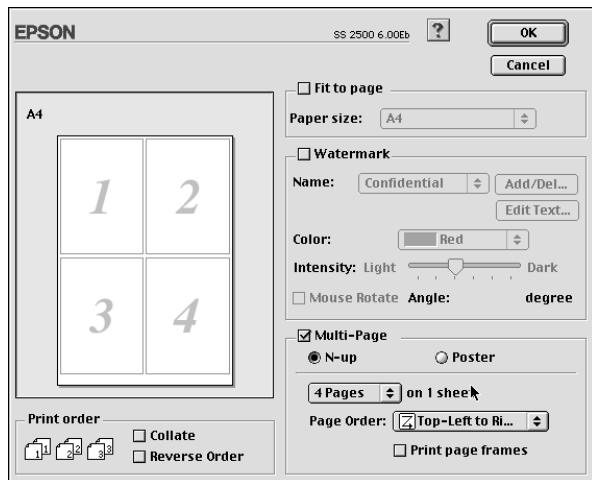
The Layout dialog box allows you to automatically match the document size to the paper size, print 2 or 4 pages on a single sheet, print poster-size images by enlarging one page to cover several sheets, or place watermarks on documents.

### ***Fitting your document to the paper size***

You can proportionally enlarge or reduce the size of the image to make it fit the paper size you selected in the Paper Size list. To do this, click the Fit to Page check box and select the paper size you loaded in the Stylus Scan.

## Printing 2 or 4 pages on one sheet

To print 2 or 4 pages of your document on one sheet of paper, use the Multi-Page option in the Page Layout dialog box.

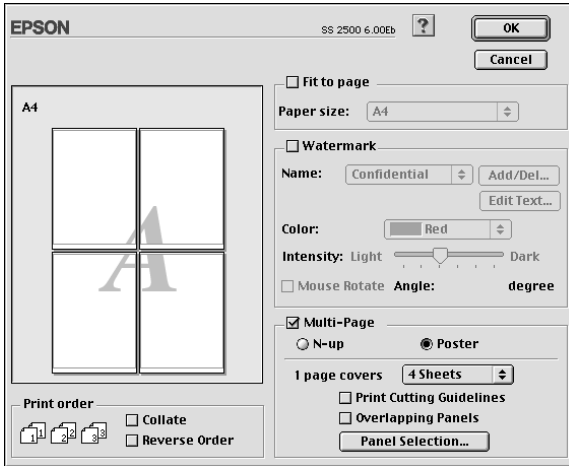


Select the Multi-Page check box and click N-up. Then make the following settings.

<b>2 Pages 4 Pages</b>	Prints 2 or 4 pages of your document on a single piece of paper.
<b>Page Order</b>	Allows you to specify the order of the pages you want to print.
<b>Print page frames</b>	Allows you to print a frame around each page on the sheet of paper.

## Printing posters

You can use the Poster setting in the Multi-Page option to print a poster-size image. A single document page can be enlarged to cover 4, 9, or 16 printed pages.



Select the Multi-Page check box and click Poster. Then make the following settings.

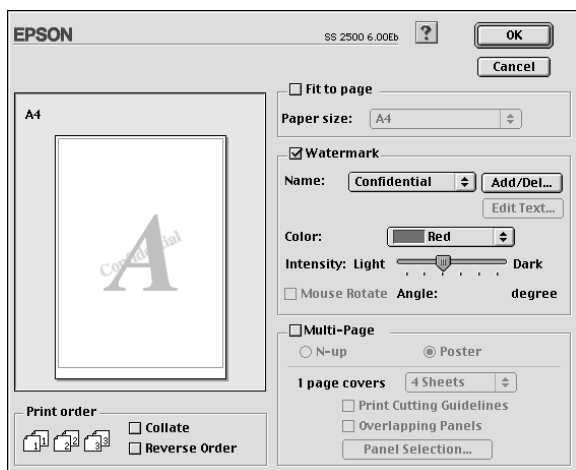
<b>1 page covers xx sheets</b>	Specifies how many printed pages the enlarged document page is to cover. You can select 4, 9, or 16 pages.
<b>Print Cutting Guidelines</b>	Prints border lines on the images to guide you when trimming the pages.
<b>Overlapping Panels</b>	Slightly overlaps the images so that they can be aligned more precisely.

If you only want to print a few of the panels without printing the entire poster, click Panel selection button then click the panels you don't need and click OK. Only the panels that you did not click will be printed.

## Printing a watermark on your document

To print a watermark in the background of your printed documents or images, select the Watermark check box in the Page Layout dialog box.

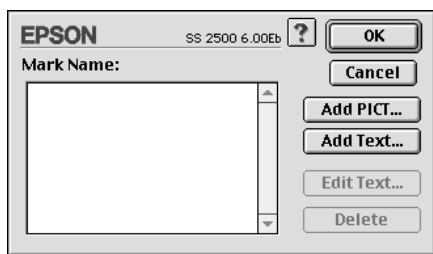
Select the watermark you want to print from the Watermark Name list; then select its position, size, color, and intensity. You can change the position and size of the watermark by dragging it with your mouse in the preview window on the left.



You can add your own text-based or image-based watermarks to the Watermark Name list. Follow the steps below.



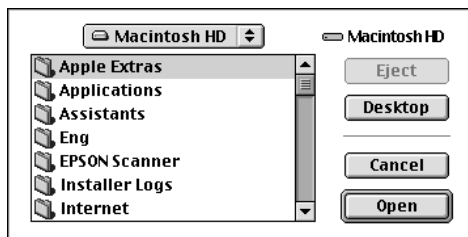
1. Click the Add/Del button beside the Watermark Name list. Custom Watermark dialog box appears.



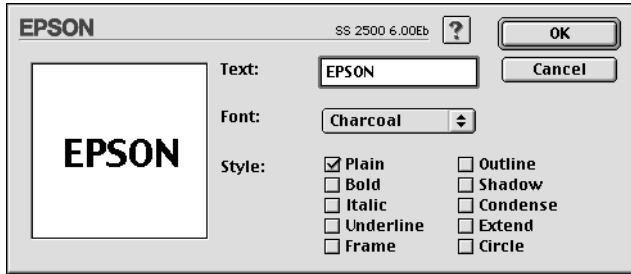
2. To use an image file as a watermark, click the Add PICT button. Select the desired image file from the list, then click Open.

**Note:**

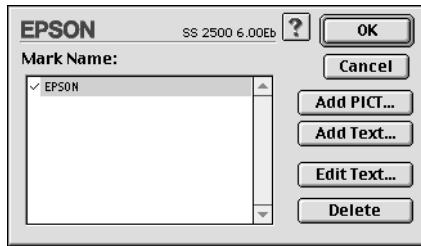
*Custom Watermark allows you to save PICT files as watermarks. If you have QuickTime 2.1 or higher, images in other formats can be used as watermarks because QuickTime automatically converts them to PICT files. An alert will be displayed if QuickTime encounters a graphics file that it cannot convert.*



To create a text-based watermark, click the Add Text button. Enter the text in the Text box, select a font and text style, then click OK.



3. The image file name or the watermark text appears in the list in the watermark dialog box. To change the name of the watermark, select it from the list, then type a new name.



4. Click OK to add your watermark to the Watermark Name list.

**Note:**

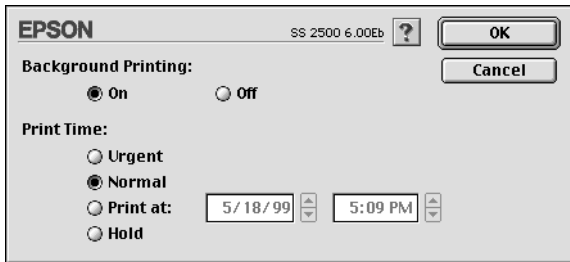
When a text watermark is selected in the Watermark Name list, you can edit the text and change the font and text style by clicking the Edit Text button.

---

## Setting a Print Time

You can specify the time that you want the Stylus Scan to start printing your document. Follow these steps.

1. Click the  Background Printing button in the Print dialog box. The Background Printing dialog box appears.



2. Click On to turn on background printing, if necessary.
3. Select Urgent, Normal, Print at, or Hold from the Print Time list.

If you select Print at, use the arrows beside the date and time boxes to specify the date and time you want to print the document.

**Note:**

*Make sure the computer and Stylus Scan are turned on at the date and time you specified.*


4. Click OK. The Background Printing dialog box closes.
5. In the Print dialog box, make sure your print settings are as you want them, then click Print.


**Note:**

*You can check or change the priority of print jobs using the EPSON Monitor3 utility. See "Using EPSON Monitor3" on page 7-4 for details.*





---

## Previewing Your Printout

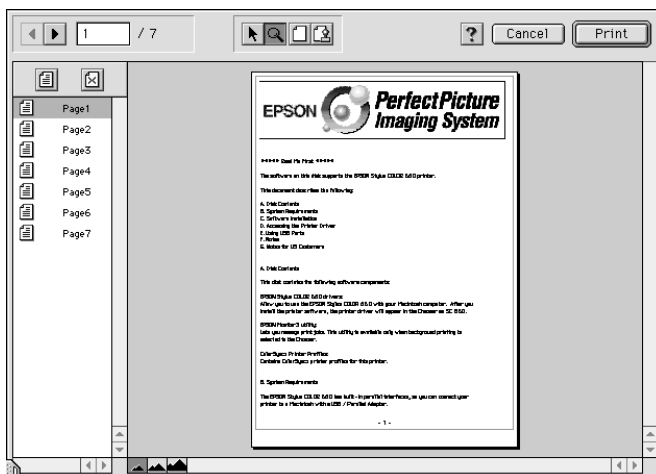
The  Preview button in the Print dialog box allows you to see how your document will look before actually printing it. Follow these steps to use this feature.

1. Make your printer driver settings.
2. Click the  Preview button in the Print dialog box. The Print button changes into a Preview button.






### Note:

Use the  Preview button to switch between the  Print,  Preview, and  Save File modes. Click the icon to select the mode you want. For information on the Save File mode, see “Saving Print Data in Files” on page 6-22.

3. Click the Preview button. The Preview dialog box appears and displays a preview of your document.



The Preview dialog box contains six buttons you can use to perform the following functions.


	Selection	Lets you select, move, and resize watermarks.
	Zoom	Enlarges or reduces the size of the previewed page.
	Margin Display/ Non-Display	Shows or hides borderlines indicating the printable area.
	Watermark Editing	Shows or hides the Watermark Edit box. Use this box to apply a watermark to the document.
	Add page Remove page	Lets you select or deselect the pages you want to printout from the left-side column.

4. If you are satisfied with the previewed image, click Print.





If you are not satisfied with the appearance of the image, click Cancel. The Preview and Print dialog boxes close with the current print settings preserved. Open the Print dialog box again to make additional changes to the print settings.

---


## ***Saving Print Data in Files***

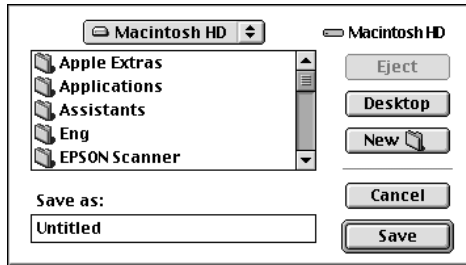
You can save print data in a file by using the  Save File button in the Print dialog box. This feature lets you print the data at a later time simply by double-clicking the saved file. Follow these steps.

**Note:**


Use the  Preview button to switch between the  Print,  Preview, and  Save File modes. Click the icon to select the mode you want.

1. Make your printer driver settings.

2. Click the  Preview button in the Print dialog box repeatedly until the Print button changes into the Save File button.
3. Click the Save File button. The following dialog box appears.




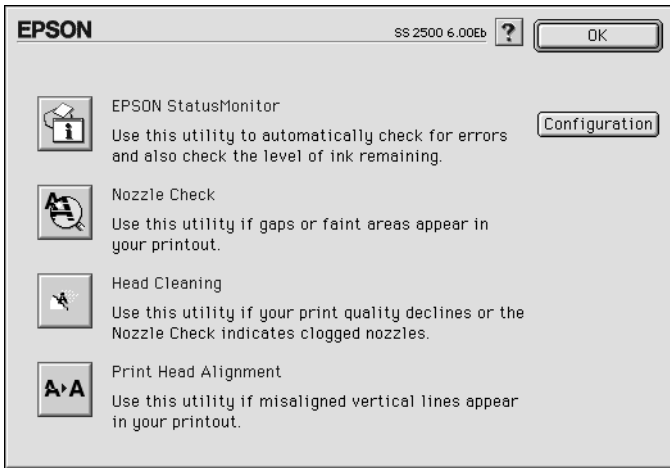
4. Select the location where you want to save the file, then type a file name into the File Name box and click Save.

When you want to print the data, double-click the file and open EPSON Monitor 3. Click the  Resume button to send the data to the Stylus Scan.

---

## Using the Printer Utilities for Macintosh

EPSON printer utilities allow you to check the current printer status and do some printer maintenance from your screen. To access the utilities, click the  Utility button in the Print or Page Setup dialog box, then click the button for the utility you want to use.



### **EPSON StatusMonitor**

The StatusMonitor utility regularly monitors the printer status. If it detects a printer error, it will inform you with an error message.

You can also use this utility to check how much ink is remaining before printing.

To use the StatusMonitor, click the EPSON StatusMonitor button in the Utility dialog box. For details, see “Using the EPSON StatusMonitor” on page 7-2.

**Note:**

*Do not use the Nozzle Check, Head Cleaning, or Print Head Alignment utilities while printing is in progress; otherwise your printout may be marred.*

## **Nozzle Check**

Checks the print head nozzles for clogging. Check the nozzles if you notice print quality has declined and also after cleaning to confirm that the print head nozzles have been cleaned. In case the nozzle check indicates the print head needs cleaning, you can access the Head Cleaning utility directly from the Nozzle Check utility. For details, see “Checking the Print Head Nozzles” on page 11-2.

## **Head Cleaning**

Cleans the print head. You may need to clean the head when you notice print quality has declined. Use the Nozzle Check utility first to confirm that the head needs to be cleaned. For details, see “Cleaning the Print Head” on page 11-4.

## **Print Head Alignment**

This utility aligns the print head. Use this utility if you notice a misalignment of vertical or horizontal lines.

## **Configuration**

Clicking this button displays the Configuration dialog box, where you can change the way the StatusMonitor utility notifies you when the printer status changes. For details, see “Changing Configuration Settings” on page 7-3.





## Chapter 7

---

# **Checking Printer Status and Managing Print Jobs for Macintosh**

Using the EPSON StatusMonitor .....	7-2
Accessing Status Monitor .....	7-2
Changing Configuration Settings.....	7-3
Using EPSON Monitor3 .....	7-4
Accessing EPSON Monitor3 .....	7-4
Managing print jobs with EPSON Monitor3 .....	7-5
Changing the priority of print jobs .....	7-7

---


## Using the EPSON StatusMonitor

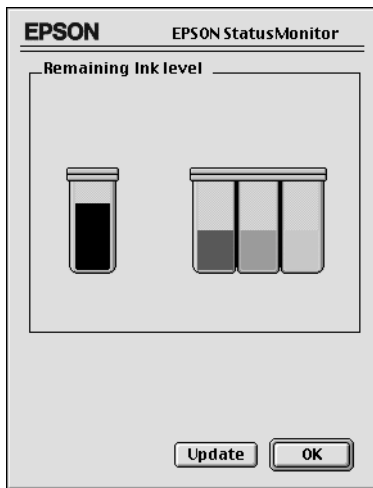
The StatusMonitor utility monitors the Stylus Scan's printer functions. If it detects a printer error, it will inform you with an error message.

You can also use this utility to check ink levels before printing. StatusMonitor displays the amount of ink remaining at the time StatusMonitor was opened. To update the ink-level information, click the Update button.

### Accessing Status Monitor


To access StatusMonitor, follow these steps.

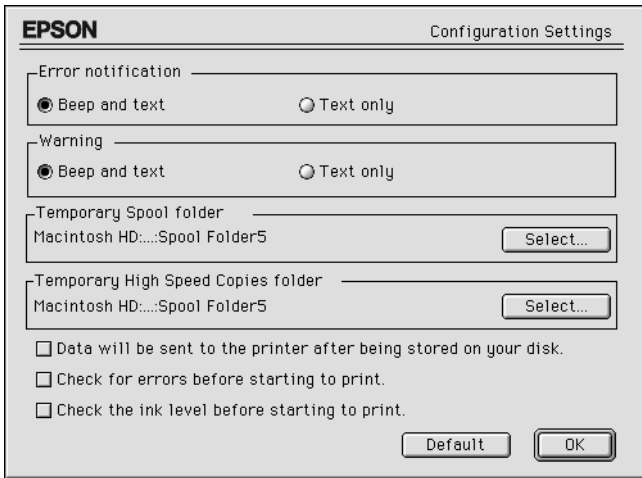
1. Click Print or Page Setup on the File menu of your application.
2. Click the  Utility icon button in the dialog box.
3. Click the EPSON StatusMonitor button in the Utility dialog box. The following dialog box appears.



## Changing Configuration Settings

If you want to change the way the StatusMonitor utility monitors the Stylus Scan's printer functions, follow the steps below.

1. Click Print or Page Setup on the File menu of your application.
2. Click the  Utility icon button in the dialog box.
3. Click the Configuration button. The Configuration Settings dialog box appears.



The options in this dialog box allow you to make the following settings.

<b>Error notification</b>	Choose how StatusMonitor notifies you in case of an error.
<b>Warning</b>	Choose how StatusMonitor notifies you if a warning message is necessary.
<b>Temporary Spool folder</b>	Choose a folder for temporary spooling of print data.

<b>Temporary High Speed Copies folder</b>	Choose the folders for multiple-copy print data storage.
<b>Data will be sent to the printer after being stored on your disk</b>	Select this check box to prevent banding in large images. When you select this box, the computer saves the image data before sending it in one piece to the Stylus Scan.
<b>Check for errors before starting to print.</b>	Select this check box if you want to check for errors before starting to print.
<b>Check the ink level before starting to print.</b>	Select this check box if you want to check the ink level before starting to print.

---

## **Using EPSON Monitor3**

After you send a print job to the Stylus Scan, you can use the EPSON Monitor3 utility to check, control, or cancel print jobs that are queued for printing. This utility also shows the status of the job currently being printed.

**Note:**

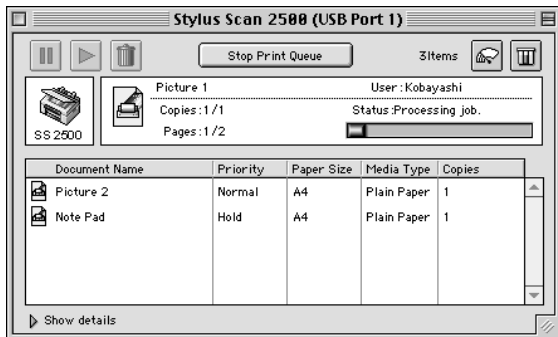
*Sometimes installing new applications can make Background Printing unavailable, because the installer program has overwritten some system extensions with older versions. To solve this problem, re-install the Stylus Scan driver.*

## **Accessing EPSON Monitor3**

To use EPSON Monitor3, follow these steps.

1. First, turn on Background Printing in the Chooser or in the Background Printing dialog box.
2. Send a print job to the Stylus Scan.

3. Select Epson Monitor3 from the Application menu at the right end of the menu bar. This opens a dialog box similar to the following:



**Note:**

You can also open EPSON Monitor3 by double-clicking the EPSON Monitor3 icon in the Extensions folder.

## Managing print jobs with EPSON Monitor3

With EPSON Monitor3, you can manage print jobs as described below.

- Use these buttons to pause, resume, and cancel printing for documents selected in the dialog box.



Hold Stops printing and moves print jobs to the end of the print queue



Resume Resumes printing



Delete Stops printing and deletes print jobs from the print queue

- Click Stop Print Queue to stop printing. Click Start Print Queue to resume printing.

- ❑ Use these buttons to start the printer utilities.

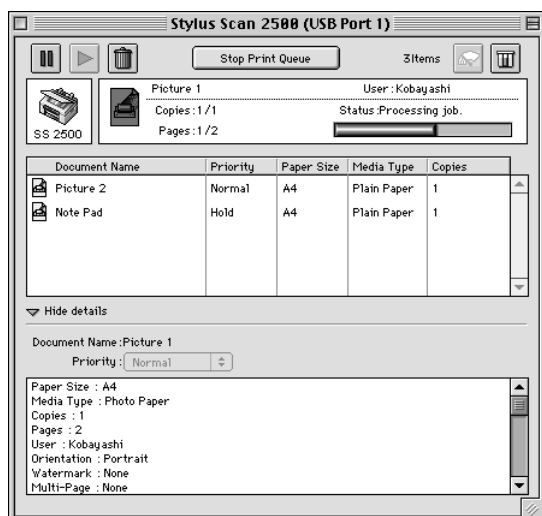


Print Head Cleaning Starts the Print Head Cleaning utility



Status Monitor Starts the StatusMonitor, which shows the remaining ink levels

- ❑ Double-click the spool file in the list to preview the file (This function is disabled when you are printing the ESC/P command file).
- ❑ Double-click on Copies to change the number of copies you want to print.
- ❑ If you click the Show details arrow, an extension similar to the one below appears at the bottom of the EPSON Monitor3 dialog box. The extended dialog box displays detailed information on a selected document's printer driver settings.



## Changing the priority of print jobs

To change the priority of print jobs in a print queue, follow the steps below.

### Note:

You can also change the priority of print jobs whose print times were previously set in the printer driver's Background Printing dialog box.

1. Click the Show details arrow at the bottom of the EPSON Monitor3 dialog box, then click a document name in the Document Name box. You will see an extended dialog box similar to the one below.



2. Select Urgent, Normal, Hold, or Print Time from the Priority list.

If you select Print Time, a dialog box appears where you can specify the date and time that you want to print the document.





## Chapter 8

---


# Scanner

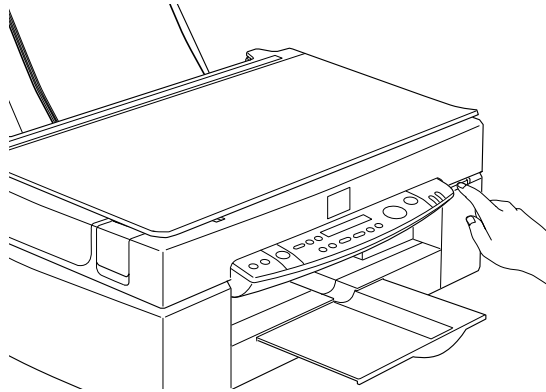
Placing a Document . . . . .	8-1
Scanning Basics . . . . .	8-5
Starting EPSON TWAIN through your application . . . . .	8-5
Scanning an image . . . . .	8-6
Scanning by pressing the Scan button . . . . .	8-8
Using the Scan Button . . . . .	8-9
The Scan Button Feature . . . . .	8-9
EPSON SMART PANEL . . . . .	8-9
Setting up EPSON Scanner Monitor . . . . .	8-11
Setting Up the Scan Button Feature for Windows 98 . . . . .	8-15
Options . . . . .	8-17
Using the Film Adapter . . . . .	8-17
Using the Automatic Document Feeder . . . . .	8-27
Understanding EPSON TWAIN Features . . . . .	8-33
Scanning from EPSON TWAIN . . . . .	8-34
Reset Button . . . . .	8-55
Auto Locate . . . . .	8-55

---

## ***Placing a Document***

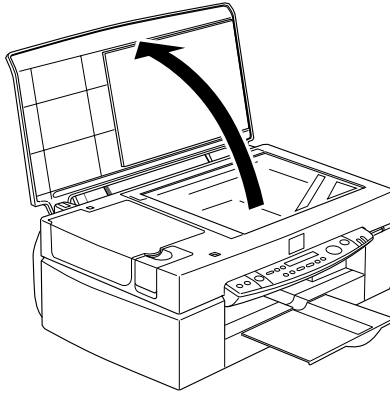
Before scanning a document, remember to respect the rights of copyright owners. Do not scan published text or images without first checking the copyright status.

1. Turn on the Stylus Scan by pressing the  power button. The Operate light starts flashing.

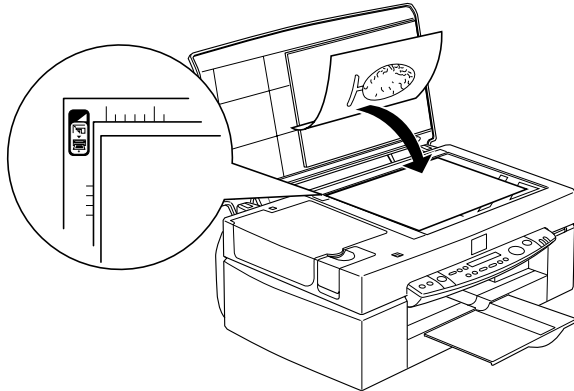


2. Turn on the computer and make sure that the Stylus Scan Operate light is on, and has stopped flashing.

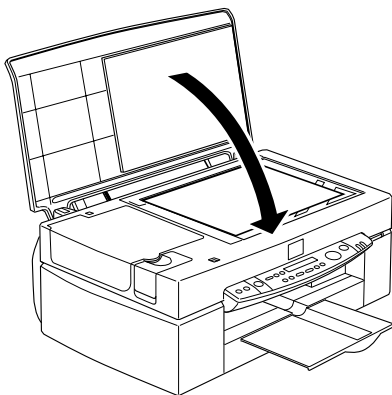
3. Open the document cover.



4. Place the document on the document table, with the side to be scanned facing down. Make sure that the document is carefully aligned with the edges of the document table.



5. Close the document cover gently so that the document does not move.




**Note:**

- Make sure the document is flat against the glass surface, otherwise the scanned image will be out of focus. Also be sure to close the document cover to prevent interference from external light.*
  - Always keep the document table clean. See “Cleaning the Stylus Scan” on page 11-21.*
  - Do not leave photographs on the document table for an extended period of time as they may stick to the glass.*
  - Do not place heavy objects on top of the Stylus Scan.*
6. Start your scanner software.

---

## Scanning Basics

There are two ways to scan; with an application that supports TWAIN, or with the  Scan button and preassigned application.

### *If you...*

- ❑ use an application that supports EPSON TWAIN, open your application.
- ❑ want to scan imagery easily, use the included EPSON SMART PANEL. The utilities contained in EPSON SMART PANEL make it possible to scan directly into a selected application, and can be launched automatically by pressing the Scan button (see “Using the Scan Button” on page 8-9).

#### *Note:*

*Even if your application supports TWAIN, some features of EPSON TWAIN may not be available depending on your application.*

## Starting EPSON TWAIN through your application

Applications that support the scanning interface standard TWAIN, allow you to scan images while the application is running. To verify whether your application is compatible with TWAIN, see the documentation for your application.

How you should open EPSON TWAIN and scan varies depending on the application. Read the following to find out how to access EPSON TWAIN.

1. Start your application.
2. Choose Select TWAIN\_32 Source from the File menu, and then select EPSON Stylus Scan FB.

**Note:**

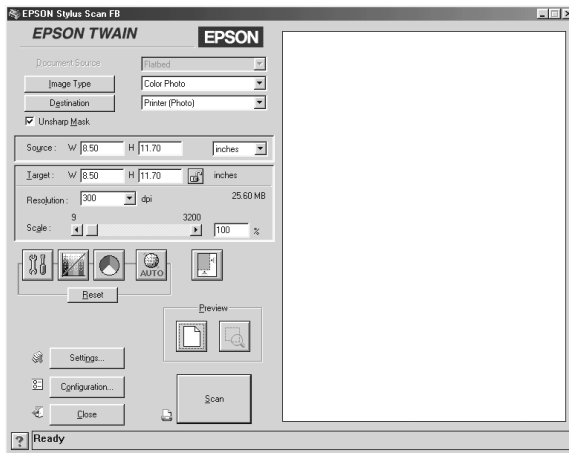
*You only need to perform this step the first time you use the Stylus Scan with your application.*

3. Choose TWAIN\_32 from the File menu to open EPSON TWAIN.

To scan, see the next section.

## **Scanning an image**

When you open EPSON TWAIN, the EPSON TWAIN dialog box appears. This section shows you the easiest way to scan with EPSON TWAIN.



**Note for Macintosh users:**

*Most illustrations in this chapter are for Windows, so they may vary from the actual dialog boxes that appear on your screen. However, all the settings and functions are the same for both systems.*

Follow these steps to scan an image:



1. Select the Document Source.  
You can select Flatbed, or Auto Document Feeder (for the optional Automatic Document Feeder), or TPU for Neg. Film or TPU for Pos. Film (for the optional Film Adapter) if you have installed these options. For complete descriptions of Document Source settings, see "Document Source" on page 8-38.
2. Select the Image Type.  
You can select the type of image you will scan: Color Photo, Color Photo De-screening, Black & White Photo, Line Art, OCR, or Copy/Fax. For complete descriptions of Image Type settings, see "Image Type" on page 8-39.
3. Select the Destination.  
You can select an output device for image reproduction from: Screen/Web, Fax, OCR, Printer (Fine), Printer (Photo), and Laser Printer.
4. Click the Preview button.  
To specify the scan region, click the Preview button to display a preview of the original document.
5. Select the region to scan.  
Use the mouse to drag the marquee and define the region to be scanned.
6. Click the Auto Exposure button.  
This will adjust scan settings for optimal results.
7. Click Scan.  
The scanned image is displayed on the screen.


The Stylus Scan scans your image according to the Image Type and Destination settings you select. If you want more control over the settings, try the other options. See online help for complete descriptions of the settings.

To exit from the EPSON TWAIN window, click the Close button.




## Scanning by pressing the Scan button

You can open EPSON TWAIN, start scanning, and have the scanned image sent to a selected application, simply by pressing the  SCAN button on your EPSON Stylus Scan. To use this feature, you need to install EPSON SMART PANEL or other Scan button compatible software. The following occurs when you press the  SCAN button:

- ❑ Windows 98 (with USB interface) or EPSON Scanner Monitor software (Windows parallel interface or Macintosh) detects when the  SCAN button is pressed and sends information to the Scan button compatible application, such as EPSON SMART PANEL.
- ❑ The Scan button compatible application will be launched or will automatically open EPSON TWAIN, scan the image and process it in the way the application is designed.

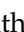
### **Note:**

- ❑ *You need to setup the Scan button compatible software before using this feature. See the documentation that comes with the application.*
- ❑ *The scanned image will be handled by the software to its maximum capability. For example, using EPSON SMART PANEL, you can send the scanned image to the Stylus Scan to print, or convert your scanned OCR image to text format and paste it in a word processing application—all by simply pressing the  SCAN button and following the instructions for the application.*

---

## **Using the Scan Button**


### **The Scan Button Feature**

The SCAN Button feature allows you to scan and send data to a target application with a single push of your Stylus Scan's  SCAN button. The following sections will help you set up your SMART PANEL, and EPSON Scanner Monitor software, or Windows 98 system, so you can use the Scan Button feature.

**Note for Windows 98 users:**

*The USB connection in Windows 98 supports the Scan Button feature. Because of this, EPSON Scanner Monitor is not installed.*

### **EPSON SMART PANEL**

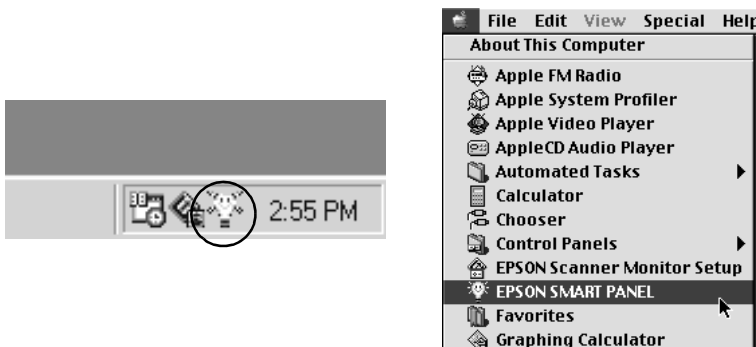
When you install the Driver and EPSON SMART PANEL from the EPSON Stylus Scan Driver CD-ROM, it will automatically configure your system to launch EPSON SMART PANEL when you press the  SCAN button. You can also set the EPSON SMART PANEL to trigger other applications you specify.

**Note:**

*For information on EPSON SMART PANEL installation, see the Setup Guide.*

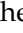
## Assigning an application to the Scan button

Access EPSON SMART PANEL. In Windows, if it is already running, the icon will be displayed on the task bar. Click the icon to open the main screen. If you are using a Macintosh, select EPSON SMART PANEL from the Apple Menu



### **Note:**


*If SMART PANEL does not start automatically in Windows, click Start, Point to Programs, then click EPSON SMART PANEL.*

To select the application you wish to launch with the Scan button, either click the  SCAN button icon (lower left), or select it from the menu. The Scan button mark will be displayed next to the selected application.



**Note:**  
Picture shows the Window screen.

## Setting up EPSON Scanner Monitor

EPSON Scanner Monitor is software that recognizes when the  SCAN button is pressed and sends information to an assigned application which supports the Scan Button feature and EPSON Scanner Monitor, such as EPSON SMART PANEL.

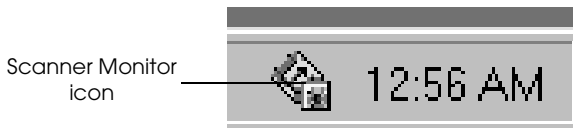
Once EPSON TWAIN is installed, EPSON Scanner Monitor is active and identifies EPSON SMART PANEL as the application that allows you to use the Scan Button feature. If you need to turn off Scanner Monitor, or select another application that supports the Scan Button feature, access Scanner Monitor as described below.

**Note:**

- ❑ *The number of applications other than EPSON SMART PANEL which support both EPSON Scanner Monitor and the Scan button feature may be limited.*
- ❑ *USB connections under Windows 98 support the Scan Button feature. As a result, the EPSON Scanner Monitor is not installed with USB connections.*

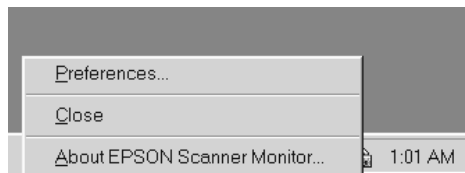
*Windows 98 and 95 Users (excluding USB connection)*

Click the Scanner Monitor icon located in the task bar on your desktop.



Turning off Scanner Monitor

If you want to turn off Scanner Monitor, select Close. This will disable the EPSON Stylus Scan's Scan Button feature.



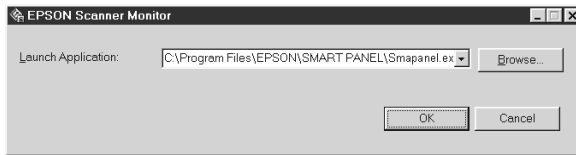
**Note:**

*Scanner Monitor will turn back on automatically the next time you start Windows.*

To activate Scanner Monitor, select Programs from the Start menu and click EPSON Stylus Scan; then select EPSON Scanner Monitor for Stylus Scan. The Scanner Monitor icon appears in your taskbar.

### Assigning an application to Scanner Monitor

Select Preferences. The EPSON Scanner Monitor dialog box appears. You can select an application that supports the Scan button feature and EPSON Scanner Monitor, such as EPSON SMART PANEL.



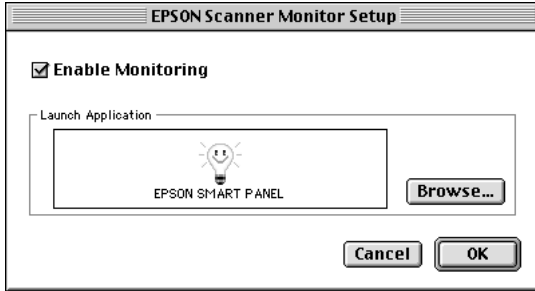
### Macintosh users

Select EPSON Scanner Monitor Setup from the Apple menu.

- ❑ Turning off Scanner Monitor



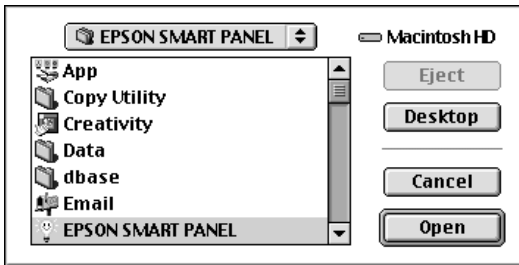
If you want to turn off Scanner Monitor, clear the Enable Monitoring check box. Please note that this will disable the Scan Button feature.



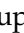
To re-activate Scanner Monitor, select the Enable Monitoring check box.

- ❑ Assigning an application to Scanner Monitor

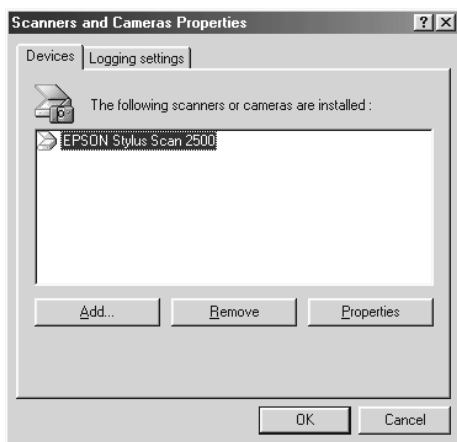
Click Browse. Select a folder and an application that supports the Scan Button feature and EPSON Scanner Monitor, such as EPSON SMART PANEL for EPSON.



## Setting Up the Scan Button Feature for Windows 98

EPSON Scanner Monitor is not installed in Windows 98 systems with USB interface support installed. Because Windows 98 supports the Scan Button feature, EPSON Scanner Monitor is not needed to use the Scan Button to launch applications which support the Scan Button feature. When you press the  SCAN button, you can have a scanned image automatically sent to EPSON SMART PANEL, or another supported application.

When the EPSON Stylus Scan Driver is installed via USB in Windows 98, the Scanner and Camera icons will appear in the control panel, and your Stylus Scan is listed in the Scanners and Cameras Properties dialog box as shown below.



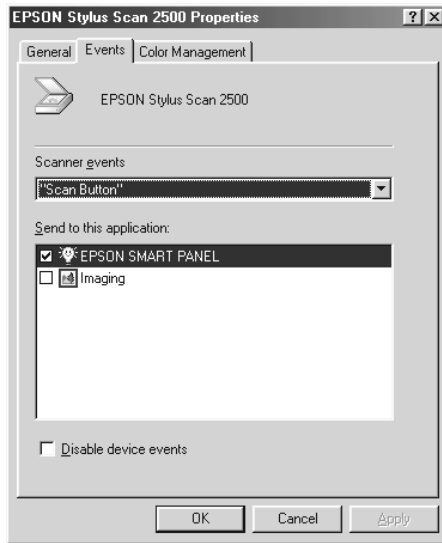
### *Assigning an application to the Scan button*


When the EPSON Stylus Scan Driver is installed, EPSON SMART PANEL will automatically be assigned as the application handling Scanner events.

To change the application launched by the Scan button, use the following procedure.



1. Select your Stylus Scan from the installed scanners and cameras list in the Scanners and Cameras Properties dialog box. Click Properties, and then click the Events tab.

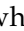


2. You can see the SCAN Button is listed as the scanner event. Make sure the check box of the application you want to assign to the  SCAN button is selected and all other application check boxes are clear in the Send to this application list.

**Note:**

- If more than one application is selected, a dialog box appears prompting you to select an application when the SCAN button is pressed.
  - Some applications do not support use of to scanners and digital cameras. Linkage is available only with the applications that appear in the Send to this application list.
3. Click the OK button to close the dialog box.

## Disabling the Scan button

If you need to disable the Scan Button feature, select the Disable device event check box in the EPSON Stylus Scan 2500 Properties dialog box. Selecting this check box prevents Windows 98 from detecting when the  SCAN button is pressed.

---

## Options

### Using the Film Adapter

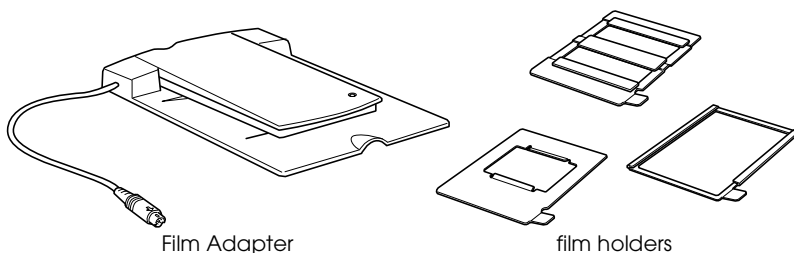
The Film Adapter (B81313\*) is a special device developed to enable the scanning of negative film strips and slides by simply installing the unit on your Stylus Scan. The Film Adapter is compact so it can be attached or removed easily when you alternate scanning between transparent materials and normal reflective (paper) documents.

**Note:**

*The Film Adapter cannot be used with the copy function.*

### Unpacking the Film Adapter

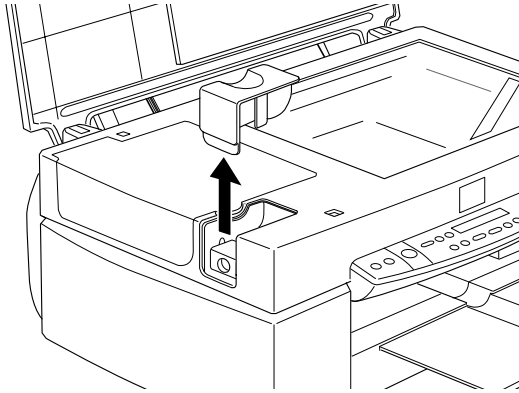
When you first open the package, make sure that all the following items are included. If any items are missing or damaged, contact your EPSON dealer immediately. Do not throw away the package after unpacking the Film Adapter as it can be used again for storage when you are not scanning transparencies.



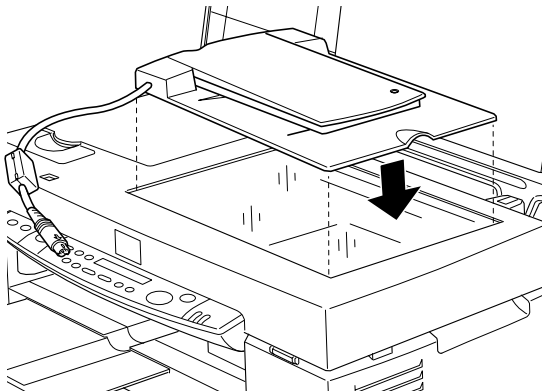
## ***Installing the Film Adapter***

Follow the steps below to install the Film Adapter on the Stylus Scan.

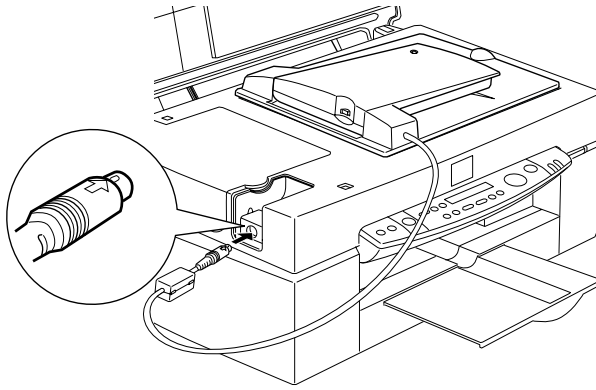
1. Make sure the Stylus Scan is turned off.
2. Open the document cover.
3. Remove the option cover.



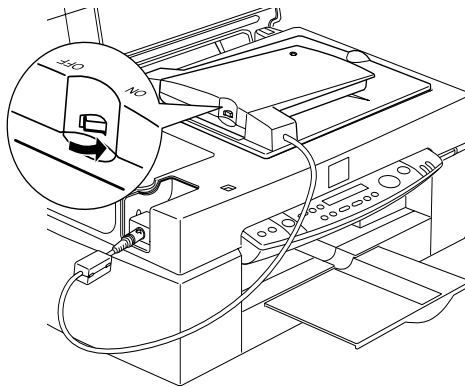
4. Place the Film Adapter on the document table so that the hinges face the left of the Stylus Scan and it fits on the table.



5. Connect the Film Adapter connector to the Stylus Scan's option interface.



6. Turn on the Stylus Scan.
7. Turn on the Film Adapter.



### **Film holders**

Three film holders are included with this unit. To scan film, see the instructions below.



**Caution:**

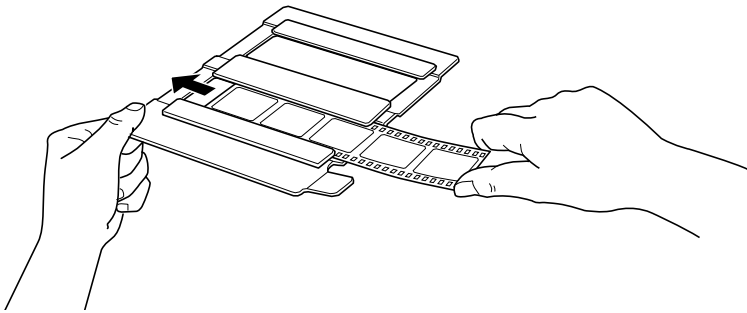
*Hold the film at the edges, or use gloves. Touching the film surface can leave fingerprints or otherwise damage the film.*

**Note:**

*The base side of the film is the side which the film maker's name and film ID numbers are shown.*

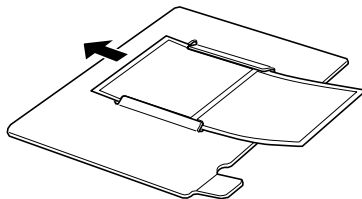
**35 mm negative or positive film**

Insert a strip of film in the 35 mm film holder, base side facing down.



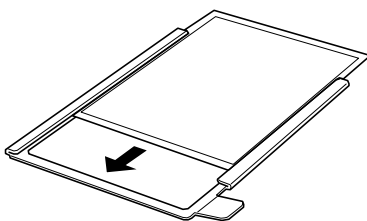
**Brownie size (6 cm x 9 cm) film**

Insert film in the Brownie size film holder, base side facing down.



## 4 x 5 inch film

Insert film in the 4 × 5 inch film holder, base side facing down.



### **Loading slides and film**

You can scan slides and film strips in the 4 × 5 inch (101.6 × 127 mm) scanning area of the Film Adapter.

#### **Note:**

- ❑ *Wipe the glass of the Film Adapter, the Stylus Scan's document table, and the narrow window near the hinges before scanning transparencies.*
- ❑ *You need to select TPU for Neg. Film or TPU for Pos. Film in the Document Source settings in EPSON TWAIN depending on the type of film (negative or positive) you are scanning. The scanner software automatically controls the operation of the Film Adapter.*

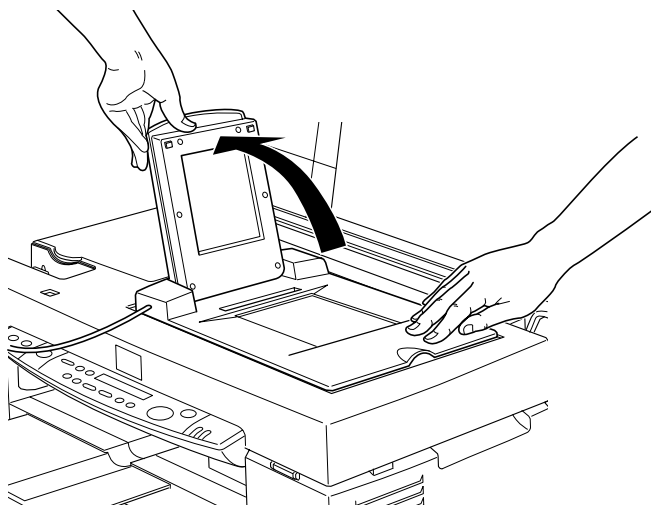
Follow the steps below to load film or slides.



#### **Caution:**

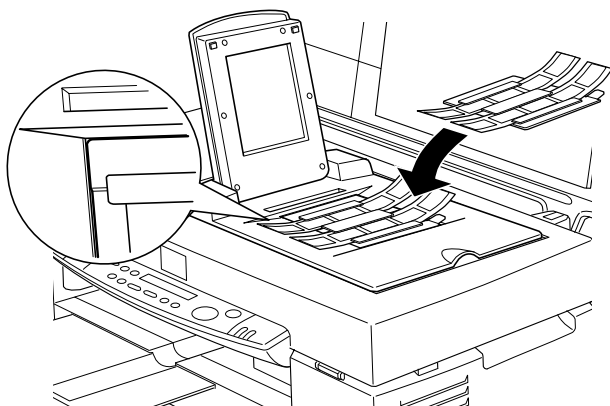
*Hold the film at the edges, or use gloves. Touching the film surface can leave fingerprints or otherwise damage the film.*

1. Open the top of the Film Adapter, holding the base down.

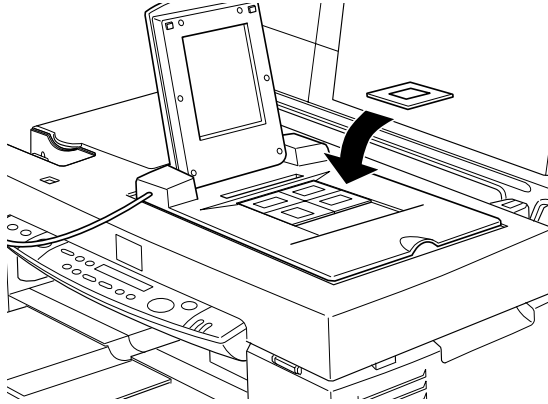


2. Load the transparency to be scanned face down on the Stylus Scan's document table in the window of the Film Adapter as shown below.

- If you are scanning 35 mm strip film, use the 35 mm film holder to set the film.

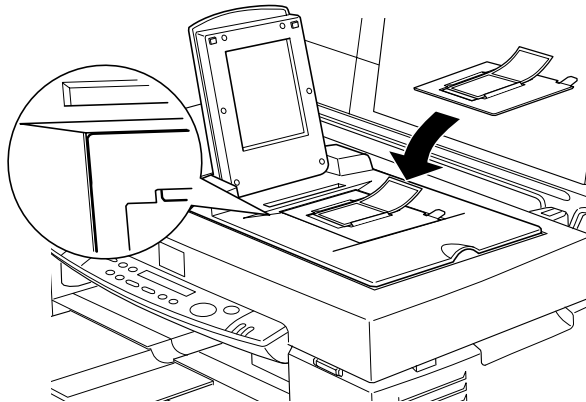


- ❑ If you are scanning slides or transparencies which will not fit in the film holders, place them directly on the document table.



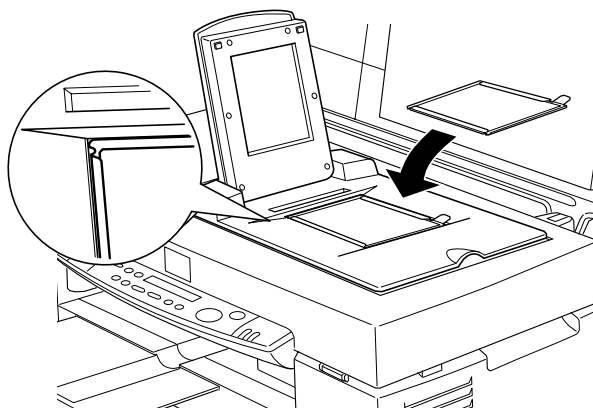
**Note:**

- ❑ Place film holders on the document table in alignment with the upper left-hand corner of the film holder.
- ❑ When scanning Brownie size (6cm × 9cm) or similar film, use the film holder as shown below.





- ❑ *If the film size is 4" × 5" or similar, use the film holder as shown below.*

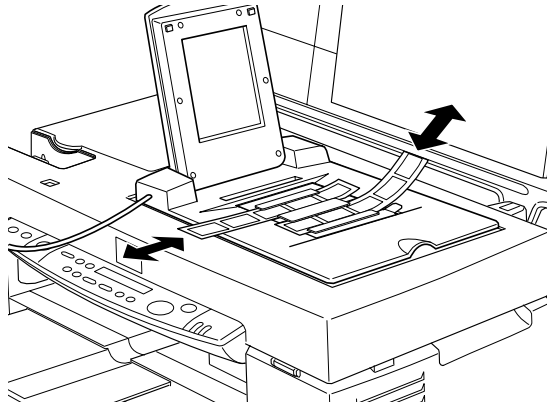


3. Close the unit.

**Note:**

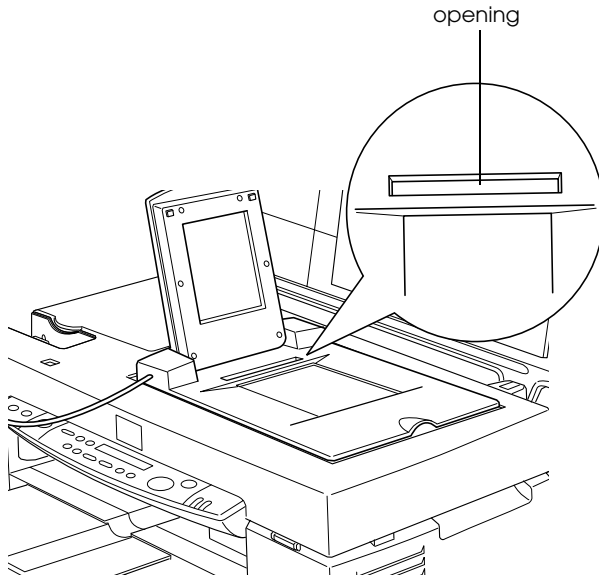
- ❑ *Make sure the unit is completely closed, otherwise an option error will occur and you will have problems scanning the film and getting properly colored images.*
- ❑ *When previewing images in EPSON TWAIN of negatives scanned using a film holder, the color may appear odd as the frame of the film holder is perceived as white, causing your scans to appear darker. To see the correct color, click and drag the mouse over the image, then click the zoom preview button.*

- ❑ *You can move and adjust the position of 35mm film by sliding the strips in the film holder so the frames you want scan are positioned in the window.*



- ❑ *To remove a film holder from the document table, slide it left or right then take it out of the window.*

- ❑ *Leave the opening shown below uncovered, otherwise the colors in your scans will be affected.*



### **Scanning normal (reflective) documents**

When you return to scanning normal reflective documents, you can simply turn off the Film Adapter, then place documents between it and the document table. If you will not scan transparencies again soon, you can remove the Film Adapter and store it in the original package.

Remove the Film Adapter in reverse order as described on “Installing the Film Adapter” on page 8-18.

**Note:**

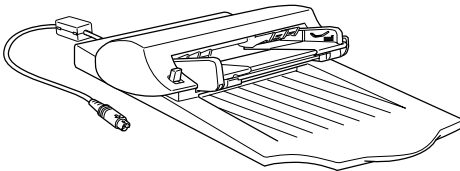
*When scanning thin documents, you may see an impression of the underside of the Film Adapter in your scans. If this happens, switch to the document cover.*

## ***Using the Automatic Document Feeder***

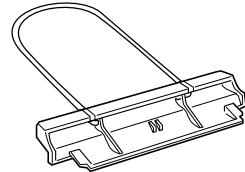
The Automatic Document Feeder (B81314\*) allows you to automatically load multiple-page documents into your Stylus Scan. This document feeder is particularly useful for OCR (optical character recognition) scanning, or for creating an image database.

### *Unpacking the Automatic Document Feeder*

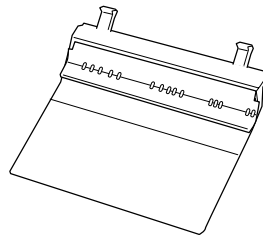
When you unpack your Automatic Document Feeder, make sure you have all the parts shown below. If any items are missing or damaged, contact your EPSON dealer immediately.



Automatic Document Feeder



paper support



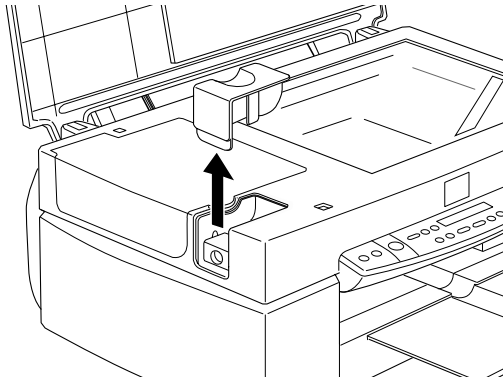
spare paper path guide

## ***Installing the Automatic Document Feeder***

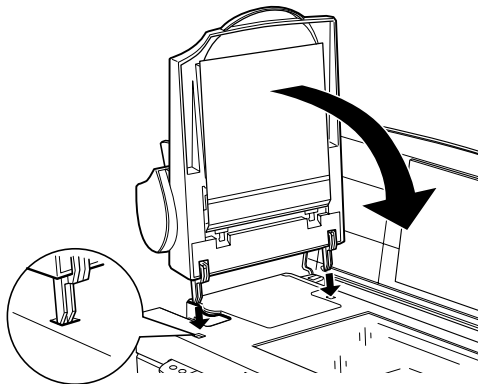
Follow the steps below to install the Automatic Document Feeder on your Stylus Scan.

1. Make sure your Stylus Scan is turned off, and unplug the Stylus Scan's power cord.

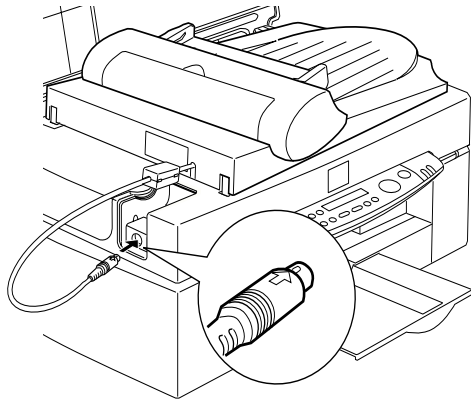
2. Open the document cover.
3. Remove the protective materials from the Automatic Document Feeder.
4. Remove the option cover.



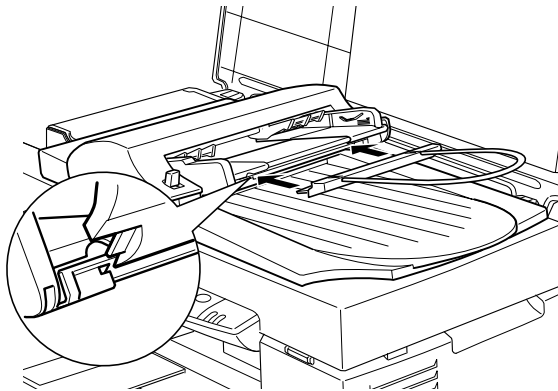
5. Insert the hinges on the Automatic Document Feeder into the holes at the left of the Stylus Scan and close the Automatic Document Feeder.



6. Attach the Automatic Document Feeder's connector to the Stylus Scan's option interface.



7. Attach the paper support to the Automatic Document Feeder.



**Caution:**

*When replacing an ink cartridge, remove the Automatic Document Feeder from the Stylus Scan, but do not disconnect the cable.*

**Note:**

*After you install the Automatic Document Feeder, be sure to select Auto Document Feeder (ADF) in the Document Source settings in EPSON TWAIN.*

### **Loading paper into your Automatic Document Feeder**

Your Automatic Document Feeder can automatically load up to 20 sheets of the following paper sizes (based on a paper weight of 17 lbs and a stack thickness of 4.0 mm or less):

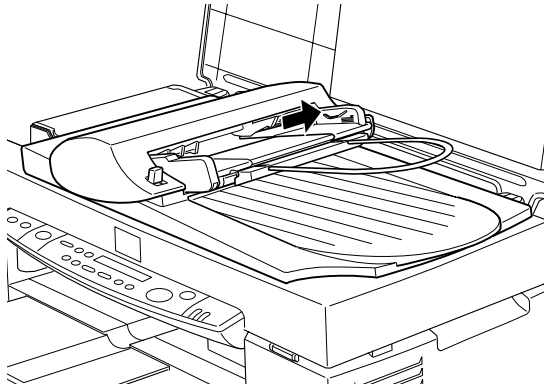
Checks	83 × 127 mm (3.3 × 5 inches)
B5	182 × 257 mm (7.17 × 10.1 inches)
A4	210 × 297 mm (8.27 × 11.69 inches)
Letter	215.9 × 279.4 mm (8.5 × 11 inches)
Legal	215.9 × 355.6 mm (8.5 × 14 inches)

Follow the steps below to load paper into the Automatic Document Feeder.

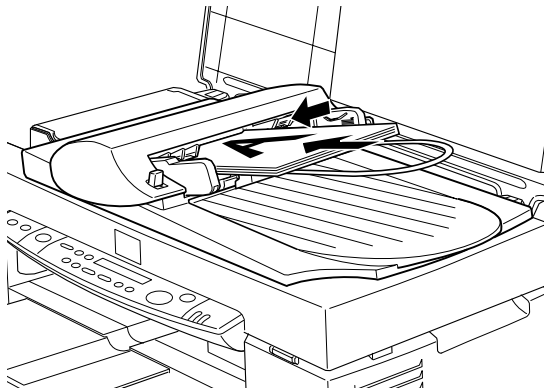
**Note:**

*Make sure no dust is on the document table when using the Automatic Document Feeder. Dust on the document table near the carriage home position may result in vertical lines on the scanned images. Also make sure there are no documents left on the document table.*

1. Slide the right edge guide all the way to the right.



2. Insert the paper stack into the Automatic Document Feeder until it meets resistance. Make sure that the side you want to scan is facing up. Move the right edge guide so it is flush with the right edge of your paper.



Documents are output to the lower tray after scanning is finished.

### ***Loading documents manually***

You can load documents manually even when the Automatic Document Feeder is installed.



Lift the Automatic Document Feeder and place the document on the document table. Then lower the Automatic Document Feeder and scan the document.

**Note:**

- ❑ *Opening the Automatic Document Feeder or its cover while it is operating results in an option error and paper feeding stops.*
- ❑ *Always close the Automatic Document Feeder and its cover before scanning, unless you are scanning thick material or documents of more than 2 cm in height. When scanning thick documents, the Automatic Document Feeder can be left in the upright position.*
- ❑ *Be sure to select Flatbed in the Document Source settings in EPSON TWAIN.*
- ❑ *When scanning thin documents, you may see an impression of the underside of the Automatic Document Feeder in your scans. If so, change to using the document cover instead of the Automatic Document Feeder.*

### **Document specifications**

Size:	Width 3.3 to 8.5 inches (83 to 215.9 mm) Length 5 to 14 inches (127 to 355.6 mm)
Thickness:	0.07 to 0.16 mm
Weight:	58 to 122 g/m <sup>2</sup>
Paper quality:	High-quality bond paper
Document type:	Documents printed with impact printers, laser printers, or facsimile machines

### *Document conditions*

Check the following before feeding a document:

- ❑ The ink on the document is dry.

- ❑ The document has no holes, is not ripped or wrinkled, and has no articles attached to it.
- ❑ The document has no staples or other objects attached that might damage the feeder mechanism.
- ❑ The document has no folds more than 5 mm from the edge.
- ❑ The document is not a multipart form or bound.
- ❑ The document has no rear carbon coating.
- ❑ The document has no cut out areas.

### *Other precautions*

Do not feed photographic sheets or valuable original artwork into the Automatic Document Feeder as mis-feeding a document may result in accidental wrinkling or damage.

When you are scanning high-quality color or halftone documents, it is recommended you open the Automatic Document Feeder and scan documents individually.

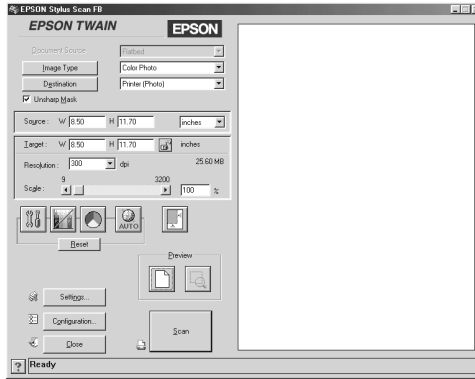
---

## ***Understanding EPSON TWAIN Features***

When you start EPSON TWAIN through a TWAIN-compliant application, one of the following windows appears on the screen:

### **Note for Macintosh users:**

Most illustrations shown in this chapter are for Windows, so they may vary from the actual dialog boxes that appear on your screen. However, all the settings and functions are the same for both systems.

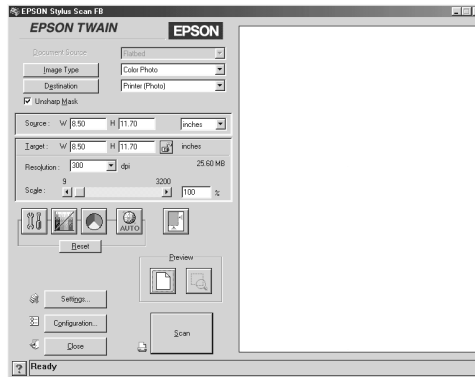


The following sections describe the features of EPSON TWAIN.

### **Note:**

Some settings may appear dimmed and cannot be selected because of incompatibility with your Stylus Scan or your choice of settings.

## **Scanning from EPSON TWAIN**



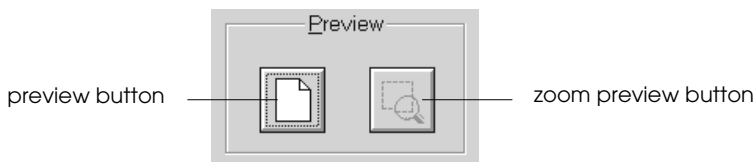
EPSON TWAIN allows you to make detailed settings. You can set parameters for a setting or select special functions provided with EPSON TWAIN to obtain the highest quality scanned images.

**Note:**

- ❑ *Online help also provides you with information on settings. Click the ? button in the EPSON TWAIN dialog box.*
- ❑ *You cannot scan an image that exceeds available memory or disk space. If you attempt to scan an image that is too large, an alert appears on the screen.*
- ❑ *Before you begin scanning, you should calibrate your screen. For details, see "Calibrating Your Screen" on page 11-11.*
- ❑ *After an image is scanned, be sure to save or export it.*

### **Previewing images**

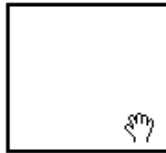
Before you scan and save an image, you can preview it in the Preview window located on the right of the EPSON TWAIN dialog box. Use the preview feature to check the results of your settings.



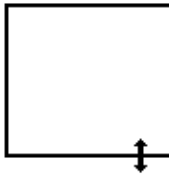
- ❑ To preview the entire image, click the preview button.
- ❑ To preview a part of the image that is already in the Preview window, click and drag the mouse over the area you want to see in detail, and click the zoom preview button.

**Note:**

- ❑ You cannot preview an image that exceeds available memory or disk space. If you attempt to preview an image that is too large, an alert appears on the screen.
- ❑ When the mouse pointer is placed within the marquee (the frame of the selected image area), it changes to a hand. When this happens, you can click and drag the marquee anywhere in the Preview window.

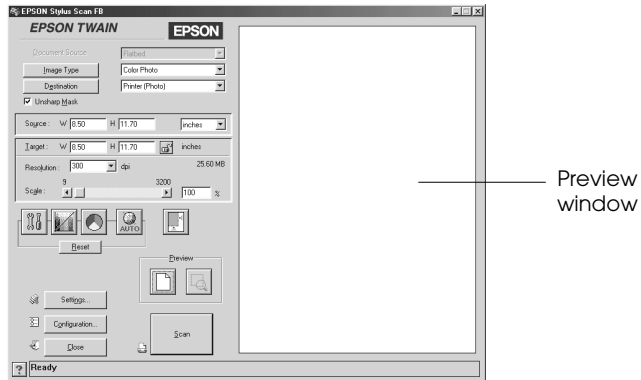


- ❑ When the mouse pointer is placed on the edge of the marquee, it changes to a double-headed arrow, allowing you to re-size the marquee.



- ❑ To remove or delete a marquee, double-click the preview window.

## Modifying the preview image



You can see the effects of the following settings in the preview image.

- Unsharp Mask in the EPSON TWAIN window
- Pixel Depth, Halftone, and Dropout in the Image Type dialog box
- Exposure, Gamma, Highlight, Shadow, and Threshold in the Image Controls dialog box
- Tone Correction in the Tone Correction dialog box
- Gray Balance Intensity, and Saturation in the Color Adjustment dialog box
- Auto Exposure

**Note:**

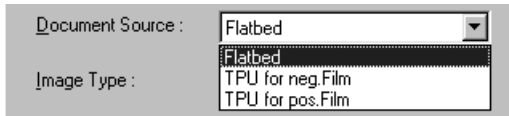
*Although the image in the Preview window changes as you make settings, the settings do not affect the actual image until you scan, or re-scan, the image.*

## Document Source

When using the document table of the Stylus Scan, leave the Document Source set to Flatbed. Other selections are available depending on what is installed. These are the optional Auto Document Feeder, and TPU for Neg. Film or TPU for Pos. Film (for the optional Film Adapter).

### **Note:**

*Uninstalled options are not displayed.*



### *Flatbed:*

Choose this setting to use the document table of the Stylus Scan.

### *Auto Document Feeder:*

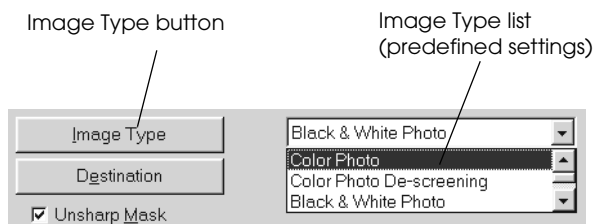
Choose this setting to use the optional Automatic Document Feeder.

### *TPU for Neg. Film, TPU for Pos. Film:*

Select one of these settings when using the optional Film Adapter. If you are scanning negative film, select TPU for Neg. Film, and if you are scanning positive film (or slides), select the TPU for Pos. Film setting.

## Image Type

Use the Image Type list or button to select the type of image to be scanned.



### Image Type list

The Image Type list provides the following predefined settings. EPSON recommends you use the predefined settings first, then later improve the quality of the scanned image manually by making the detailed settings described in the next pages, if necessary. Click the arrows on the right to view all of the available settings.

Color Photo:

24-bit Color, best quality

Color Photo De-screening:

24-bit Color, best quality with De-screening to remove moiré patterns

**Note:**

*A moiré is a crosshatch pattern that appears on scanned images when scanning printed material. It is a result of interference that occurs due to the difference between the pitches of the scanning and the halftone screens.*

Black & White Photo:

8-bit Gray, best quality



Line Art:

Black and white, draft quality

OCR:

Black and white, best quality, with Text Enhancement Technology

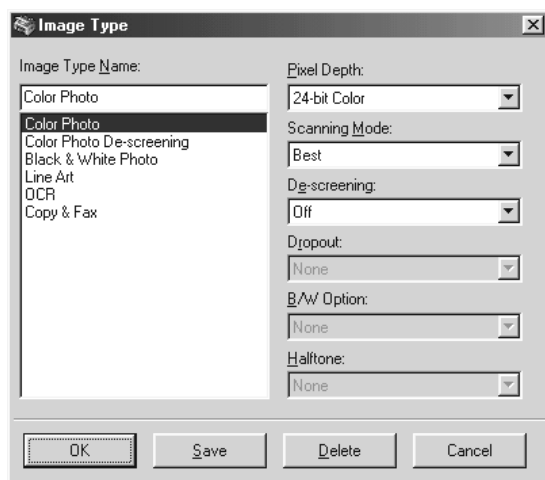
Copy and Fax:

Black and white, hard halftone, draft quality, with Auto Area Segmentation

### *Image Type button*

The Image Type button allows you to customize the Image Type settings. If you want to make many detailed settings manually, use this feature.

Click the Image Type button. The following dialog box appears.



## Image Type Name:

The names of predefined settings and custom settings you have saved appear in the Image Type Name list.

## Pixel Depth:

Select scanning colors from:  
24-bit Color, 8-bit Gray, and Black & White.

## Scanning Mode:

Select either Best or Draft scanning quality. Select Best when quality is more important than speed.

## De-screening:

Select either On or Off. When On is selected, moiré patterns are automatically removed from scanned images, but scanning takes longer.

### **Note:**

*A moiré is a crosshatch pattern that appears on scanned images when scanning printed material. It is a result of interference that occurs due to the difference between the pitches of the scanning and the halftone screens.*

## Dropout:

Select a color to subtract from a black and white scan of a colored original. Proper use of dropout can improve the quality of your black and white scans. Available dropout options are:

None, Red, Green, and Blue.

### **Note:**

- Dropout is available only when Pixel Depth is set to 8-bit Gray or Black & White.

- ❑ *Depending on the image you scan, you may need to adjust the Threshold setting in the Image Controls dialog box to enable this feature.*

#### B/W Options:

Select from:

Text Enhancement Technology, Auto Area Segmentation, or None.

#### **Text Enhancement Technology**

To improve recognition accuracy during OCR (Optical Character Recognition) scanning, select this option. This function eliminates the document background from scans.

#### **Auto Area Segmentation**

To make grayscale images clearer and text recognition more accurate, select this option. This function separates text from graphics.

#### **Note:**

- ❑ *The B/W Options setting is available only when Black & White is selected as the Pixel Depth setting.*
- ❑ *When you need neither TET nor AAS, select None. Default is None.*

To apply the settings you made, click OK. The Preview window displays the effects of the current settings except for TET (Text Enhancement Technology) and AAS (Auto Area Segmentation) settings.

#### Halftone:

Select a halftone or dither setting to reproduce images using special dot patterns:

Mode A (Hard Tone), Mode B (Soft Tone), Mode C (Net Screen), Dither A (4 x 4 Bayer), Dither B (4 x 4 Spiral), Dither C (4 x 4 Net Screen), Dither D (8 x 4 Net Screen), or None.

**Note:**

*Halftone is available only when Pixel Depth is set to Black & White.*

To apply the settings you made, click OK. The Preview window displays the effects of the current settings except for TET (Text Enhancement Technology) and AAS (Auto Area Segmentation) settings.

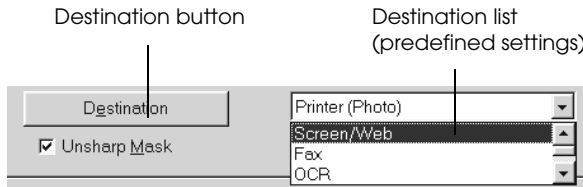
To cancel the settings, click Cancel.

To save the settings you made as a group of custom settings, type a new name in the Image Type Name box, then click Save.

To delete an Image Type setting, select the setting name to be deleted in the Image Type Name menu, then click Delete.

**Destination**

Select the destination, or output device, where the scanned image is to be printed or displayed using the Destination list or button.



*Destination list*

The Destination list contains the following predefined settings and any custom settings you have saved in the Destination dialog box. Click the arrows on the right to view all the available settings.

Destination name	Resolution	
	Line drawings and halftone images	Photos

Screen/Web	96 dpi (for Windows) 72 dpi (for Macintosh)	96 dpi (for Windows) 72 dpi (for Macintosh)
Fax	200 dpi	200 dpi
OCR	300 dpi	300 dpi
Printer (Fine)	360 dpi	150 dpi
Printer (Photo)	720 dpi	300 dpi
Laser Printer	600 dpi	200 dpi

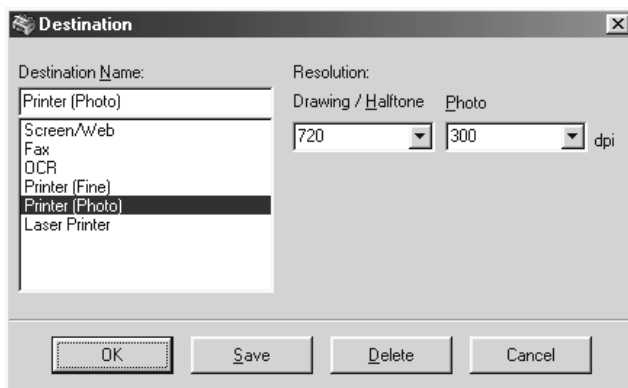
If you are using an EPSON Stylus printer or Stylus Scan and are printing scanned images with Economy, Normal, or Fine Print Quality settings in your printer software, selecting Printer (Fine) is recommended. If you are printing with the SuperFine or Photo Print Quality settings, select Printer (Photo).

**Note:**

*The effects of the Destination settings cannot be viewed in the Preview window.*

### Destination button

The Destination button allows you to customize the Destination settings. To make your own settings, such as scanning resolution, click this button. The following dialog box appears.



Destination Name:

Predefined and custom settings names appear in the Destination menu.

Resolution:

Select a scanning resolution for line drawing and halftone images, or photos.

**Note:**

- When the Pixel Depth setting in the Image Type dialog box is set to Black & White, the Drawing/Halftone setting takes effect and the Photo setting becomes irrelevant. For other Pixel Depth settings, the Photo setting takes effect and the Drawing/Halftone setting becomes irrelevant.*
- To print your scanned document when Resolution is set to Drawing/Halftone, select the same resolution setting from the list as you select in the printer driver. To print your scanned document when Resolution is set to Photo, select a resolution between 150 and 300 dpi. If you select higher resolution, the Photo setting requires longer to print, but does not improve the output quality.*
- The Resolution setting is closely related to the Image Size and Scale settings. If you change them arbitrarily, the resulting image may not be what you expected.*
- The range of resolution values depends on your Stylus Scan.*

To apply the settings you made, click OK. To cancel the settings, click Cancel.

To save the settings you made, type a new name in the Destination Name box, and then click Save.

To delete a Destination setting, select the target setting name to be deleted in the Destination Name menu, then click Delete.

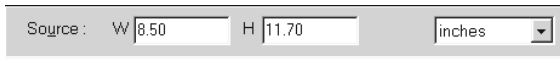
## Unsharp Mask

You can select or deselect the Unsharp Mask setting. Selecting this check box improves image sharpness.



## Source and Target image sizes

The Source fields indicate the size of the image that is displayed or selected in the Preview window.



The Target fields indicate what size the image will be when it is output.



### **Note:**

*The image size setting is closely related to the Resolution. If you change either setting arbitrarily, the resulting image may not be what you expected.*

### *Width and Height menu:*

The width and height of an image are indicated in the selected unit of measure. You can type new values directly in the indicator fields, or you can change the image area in the Preview window by creating a marquee, or frame. Do this by dragging the mouse over the desired area. See "Previewing images" on page 8-35 for more information on marquees.

### *Units menu:*

Select a unit of measurement. You can select pixels, inches, or cm.

### *Storage size indicator:*

The storage size of an image is indicated in KB or MB. As you change the image area in the Preview window, this value also changes.

### *Lock button:*

The current size of width-to-height of the target image can be locked, allowing the ratio of width-to-height of the Source image to change according to the scale value, or the scale value to change according to the ratio of width-to-height of the Source image. This is especially useful in cases where the size of an image does not fit the size of the paper on which you want to print the image, but you want to keep the image's original proportions. Enter the size of the paper in the Width and Height fields of the Target box and then click the lock button. The scale value is automatically changed, maintaining the current ratio of width-to-height to fit the paper.

### *Resolution:*

The resolution for the current scanning operation can be changed by selecting a resolution or typing in the value. This setting overrides the resolution setting you make in the Destination dialog box.



### *Scale slider:*

An image can be reduced or enlarged by moving the Scale slider. You can also click the left or right arrow to change the image size in 1% increments.

The range of possible reduction or enlargement varies depending on the current resolution setting.

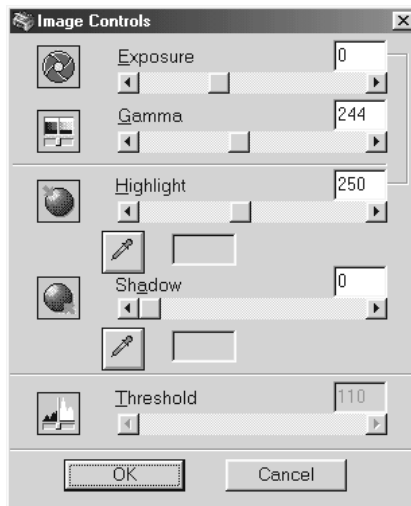
### *Scale indicator:*

The percentage of enlargement or reduction is shown in the Scale indicator field. You can type a new value directly into this field, or use the Scale slider to determine the value.

## Image Controls



Click the Image Controls button to view the following dialog box.



### Note:

- ❑ *The Image Controls button appears dimmed and is not available when TET (Text Enhancement Technology) is selected in the Image Type dialog box.*
- ❑ *If Pixel Depth is set to Black & White and Halftone is set to None in the Image Type dialog box, all the settings except Threshold appear dimmed and cannot be selected.*
- ❑ *You can see the effects of the Image Controls settings in the Preview window.*

### *Exposure:*

The Exposure setting lightens or darkens an image. You can select from -10 (darkest) to 20 (brightest) by moving (clicking and dragging) the slider.

The Exposure and Highlight controls are related. When the Exposure setting is changed, the Highlight value is automatically set.

### *Gamma:*

The Gamma contrast allows you to adjust the mid-tones in an image. You can select from 50 (lowest) to 500 (highest) by moving the slider.

### *Highlight:*

The Highlight control allows you to adjust the brightness level of the brightest parts of an image. You can select from 61 to 490 by moving the slider.

Click the eyedropper button beneath the slider, and the mouse pointer changes to an eyedropper. Move the eyedropper over the preview image, and click a bright area. The eyedropper “picks up” the color from that area, and uses it as the highlight for the entire image. This effect shows up immediately in the preview image. Click **Cancel** to restore the original image.

### *Shadow:*

The Shadow control allows you to adjust the darkness level of the darkest parts of an image. You can select from 0 to 60 by moving the slider.

Click the eyedropper button beneath the slider, and the mouse pointer changes to an eyedropper. Move the eyedropper over the preview image, and click a dark area. The eyedropper “picks up” the color from that area, and uses it as the shadow for the entire image. This effect shows up immediately in the preview image. Click Cancel to restore the original image.

*Threshold:*

Available only when Pixel Depth is set to Black & White and Halftone is set to None in the Image Type dialog box. The Stylus Scan scans gray shades as either black or white using this setting.

You can select from 0 (lightest) to 255 (darkest) by moving the slider.

**Tone Correction**



Click the Tone Correction button to view the following dialog box.

tone curve editor

tone correction list

**Note:**

- ❑ *The Linear Tone Correction settings are used when you scan from the Easy menu.*
- ❑ *The Tone Correction button appears dimmed and is not available when Pixel Depth is set to Black & White, Halftone is set to None, and TET (Text Enhancement Technology) is selected in the Image Type dialog box.*
- ❑ *You can see the effects of the Tone Correction settings in the Preview window.*

The tone value represents the contrast in the tonal relationship between an original image and its reproduction on a monitor or printer.

*Tone Curve editor:*

The editor allows you to customize tone correction. Drag points on the tone curve to adjust the tone value. You can edit up to five tonal elements.

*Output options:*

If you select the check box for a specific point, such as 1/4 Tone or Midtone, you can move that point and it will remain where you leave it; it will not be affected by the movement of other points on the curve. If the check box is clear, the point will be affected by the movement of other points.

*Channels options:*

You can select the combined red, green, and blue (RGB) channel to modify all colors, or select these colors separately.

**Note:**

*If Pixel Depth is set to Black & White or 8-bit Gray in the Image Type dialog box, you can only select the combined RGB channel option.*

### *Tone correction list:*

Select a tone correction setting from this list. The custom settings you have saved appear in this list.

### *OK/Save/Delete/Cancel buttons:*

To accept the defined Tone Correction or close the dialog box, click OK.

After you correct tone, type a name for your custom settings in the tone correction list and click Save.

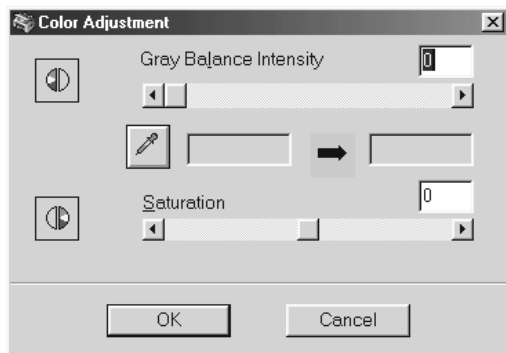
To delete a setting, select the name of the setting you want to delete in the tone correction list and click Delete.

To cancel the operation, click Cancel.

## **Color Adjustment**



Click the Color Adjustment button to view the following dialog box.



**Note:**

- ❑ *If the Image Type setting is not Color Photo, or Color Photo De-Screening, or the Pixel Depth is set to 8-bit Gray or Black & White, the Color Adjustment button appears dimmed and these settings cannot be selected.*
- ❑ *You can see the effects of the Color Adjustment settings in the Preview window.*

*Gray Balance Intensity:*

Gray Balance Intensity removes unwanted color casts and tints by balancing color saturation.

Click the eyedropper button beneath the slider. The mouse pointer changes to an eyedropper. Then click the color you want to be gray. The eyedropper “picks up” the color and displays it in the box beside the eyedropper button. You can then correct the cast level for that color from 0 to 100 by moving the slider. The corrected color appears in the box on the right, and the effect shows up immediately in the preview image. Click Cancel to restore the original image.

*Saturation:*

Saturation is the property that defines color depth. Select the saturation level for color from -100 (less color) to 100 (more color) by moving the slider.

**Auto Exposure**



Click the Auto Exposure button to automatically optimize the exposure for an image. The Gamma, Highlight and Shadow settings in the Image Controls dialog box are automatically set.

**Note:**

*The Auto Exposure button appears dimmed and is not available when Pixel Depth is set to Black & White and AAS is not selected in the Image Type dialog box.*

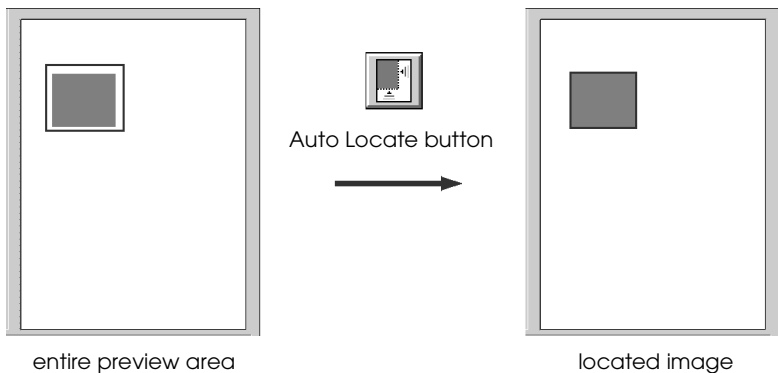
## **Reset Button**

Use the Reset Button to return any image control settings you made back to their default settings. If you do not alter any image control settings, this button appears dimmed and is not available.

## **Auto Locate**



Click the Auto Locate button to cause the Stylus Scan to automatically locate and select the target image. The image appears without white borders in the Preview window.

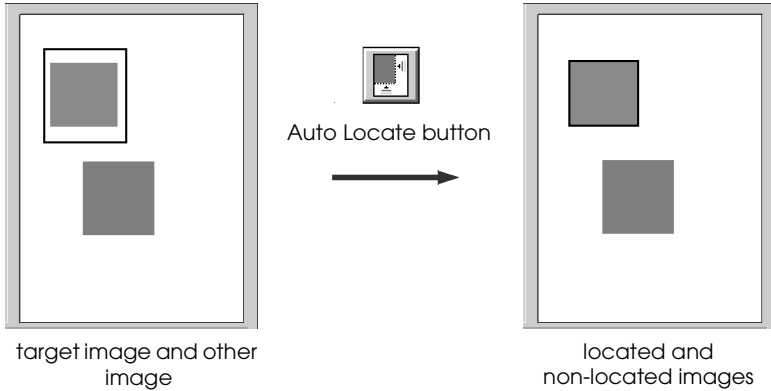


entire preview area

located image

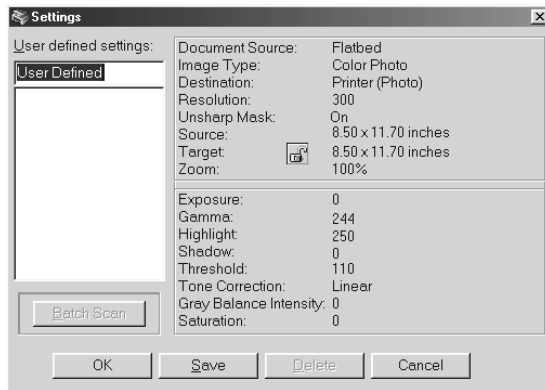


If a document contains more than one image, select a target image by dragging the mouse pointer over the image and clicking the Auto Locate button. The selected target image is located automatically.



## Settings

Click the Settings button to view the following dialog box. You can view all the settings for the current preview image in this dialog box. Also, you can apply any custom settings you have saved.



To save the currently selected settings, type a new name in the User defined settings field, then click Save.

To apply saved settings, select a setting name from the list, then click OK. The preview image will reflect the settings you saved.

To restore the previous settings, click Cancel.

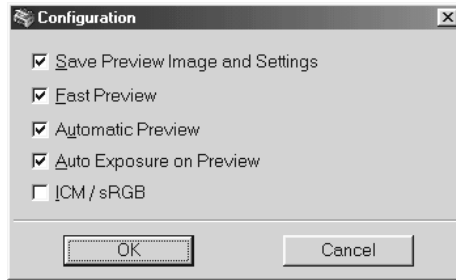
To delete a setting, select the setting name in the list, then click Delete.

To scan a single image with several different settings, make and save each group of settings as described above. Then hold down the Shift key while clicking the custom settings you want to select in the User defined settings list. After selecting all the settings you want to use when scanning, click Batch Scan. The Stylus Scan scans the image once for each group of settings you have selected.

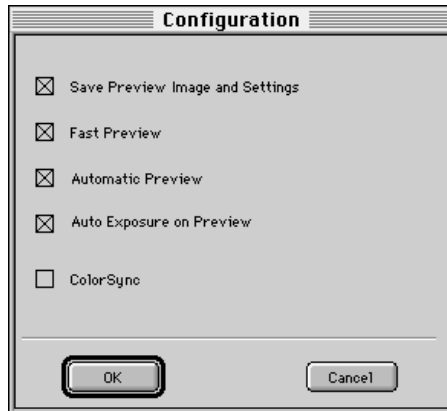
## Configuration

Click the Configuration button to view the following dialog box. You can make settings that affect the Preview window.

### Windows



### Macintosh



### *Save Preview Image and Settings:*

Select this check box to automatically save the preview image and all the image settings when you exit EPSON TWAIN (quit scanning). The next time you start EPSON TWAIN, the image and settings will reappear.

### *Fast Preview:*

Enables high-speed loading of the preview image. If this is selected, the preview image is scanned in Draft mode. If this is not selected, the preview image is scanned in Best mode, and you can get accurate values of the Highlight, Shadow, and Gray Balance Intensity by sampling using the eyedropper in the preview image.

Do not use this feature (do not select the check box) when quality is more important than speed.

### *Automatic Preview:*

Previewing automatically starts when EPSON TWAIN is launched.

### *Auto Exposure on Preview:*

Displays the preview image with automatically optimized exposure settings. The result is the same as if you clicked the Auto Exposure button.

### *ICM, ICM/sRGB (for Windows)*

Depending on the version of Windows installed in your computer, this setting may be unavailable or have a different caption.

Select this check box to reproduce the colors in your image using the Windows ICM color management system. This setting appears only with the Windows operating system.

#### **Note:**

*If your output devices (printer and monitor) do not support ICM, leave this check box clear.*

### *ColorSync (for Macintosh)*

Select this check box to reproduce the colors in your image using the ColorSync color management system. This setting appears only with Macintosh computers.

**Note:**

*If your output devices (printer and monitor) do not support ColorSync, leave this check box clear.*

## Chapter 9

---

# Copier

About the Copy Feature . . . . .	9-3
Loading the Paper . . . . .	9-4
Placing a Document. . . . .	9-6
How to Make Copies. . . . .	9-8
Using the Optional Automatic Document Feeder . . . . .	9-10
Loading paper into the Automatic Document Feeder . . . . .	9-10
Loading documents manually . . . . .	9-12
Using the Control Panel . . . . .	9-13
LCD panel . . . . .	9-13
Copy button. . . . .	9-14
Stop/Clear button. . . . .	9-14
Paper Size button . . . . .	9-15
B&W/Color button. . . . .	9-15
Copies buttons. . . . .	9-15
Reduce/Enlarge button . . . . .	9-16
Quality button. . . . .	9-16
Lighter/Darker button. . . . .	9-17
Changing the Control Panel Settings . . . . .	9-17
Status Sheet Print . . . . .	9-18
Bottom Margin . . . . .	9-18
Paper Size. . . . .	9-18
Language . . . . .	9-19
Set Factory Default . . . . .	9-19
Using the Copy Utility (from EPSON SMART PANEL) . . . . .	9-19
Accessing the Copy Utility . . . . .	9-19
Making Copy Settings in the Copy Utility . . . . .	9-20

---

## About the Copy Feature

The Stylus Scan can be used to copy documents and photographs, just like a standard copier, using the scanner and printer functions without even turning on the computer.

The following copy functions can be selected from the control panel. Refer to the section “Using the Control Panel” on page 9-12 for details.

- Color and monochrome copies.
- Enlarged and reduced copies.
- Select the paper size. The following paper sizes can be used.  
Metric: A4, B5, A6  
US: Letter, Legal, Half Letter, 5 × 8”

**Note:**

*If you are using Legal-sized paper, use the Automatic Document Feeder.*

- Select how many copies to make at a time. Up to 20 copies can be made at once.  
(When using the Automatic Document Feeder, only one copy of each original page can be made at a time.)
- Copy quality can be set to Normal, Fine, or Photo (color).
- Copy density can be adjusted.

**Note:**

*If your computer is turned on, you can also use the Copier utility in EPSON SMART PANEL to make copies. For details, refer to “Using the Copy Utility (from EPSON SMART PANEL)” on page 9-18.*

---

## Loading the Paper

Load the paper to be used for copying into the Stylus Scan.

The following paper sizes and types can be used:

**Paper size:** Metric\* A4, B5, A6  
US\* Letter, Legal, Half Letter, 5x8"

**Note:**

If you are using Legal-sized paper, use the Automatic Document Feeder.

\* Select either Metric or US size in the Menu Mode (Control Panel Setting). For details, refer to "Changing the Control Panel Settings" on page 9-16.

**Paper type:** The following types of paper can be used depending on the Quality setting.

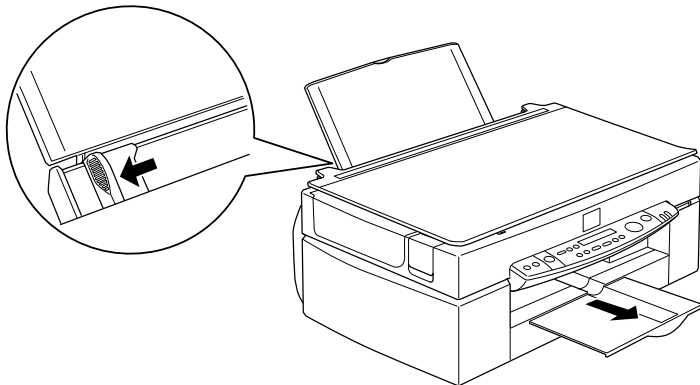
Normal: Plain paper

Fine: Plain paper

Photo: EPSON Photo Paper

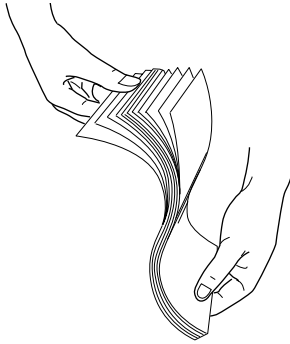
Follow the steps below to load paper for copying.

1. Extend the output tray and slide the left edge guide of the sheet feeder so that it is just wider than the width of your paper.

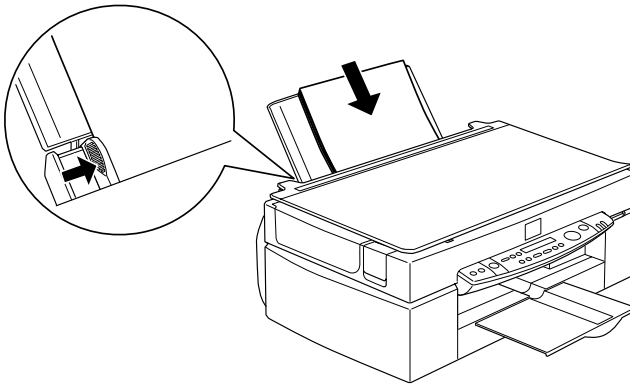




2. Fan a stack of paper; then tap it on a flat surface to even the edges.



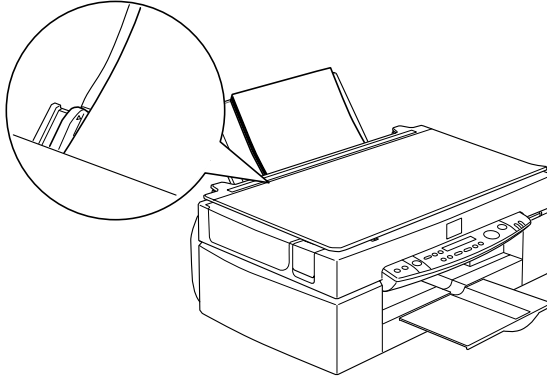
3. Load the stack of paper with the printable side up and the right edge of the paper resting against the right side of the sheet feeder. Then slide the left edge guide against the edge of the paper.



**Note:**

- ❑ *Always load paper into the sheet feeder short edge first.*

- ❑ *Make sure the paper stack fits under the arrow mark inside the edge guide.*

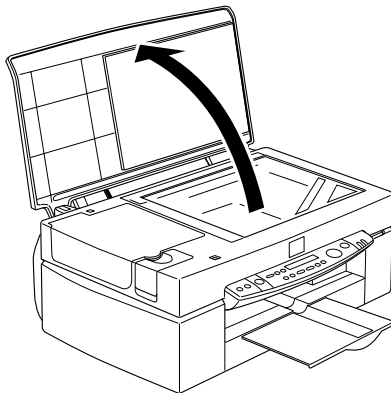


---

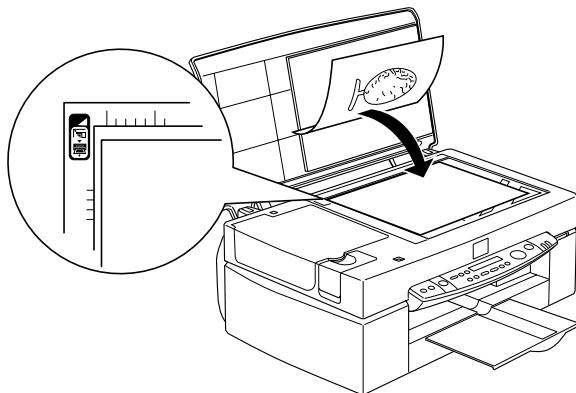
## ***Placing a Document***

Before copying a document, remember to respect the rights of copyright owners. Do not copy published text or images without first checking the copyright status.

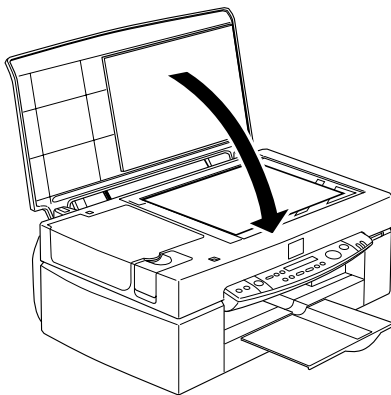
1. Open the document cover.



2. Place the original on the document table, with the side to be copied facing down. Make sure that the document is properly aligned.



3. Close the document cover gently so that the document does not move.




**Note:**

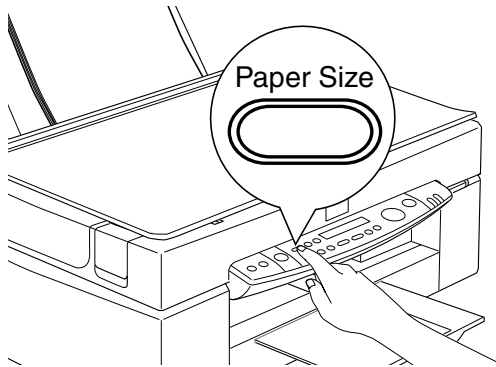
- ❑ *Make sure the document is flat against the glass surface, otherwise the image will be out of focus. Be sure to close the document cover to prevent interference from external light.*

- ❑ *Always keep the document table clean.*
- ❑ *Do not leave photographs on the document table for an extended period of time as they may stick to the glass.*
- ❑ *Do not place heavy objects on top of the Stylus Scan.*

---

## **How to Make Copies**

1. Press the  power switch to turn on the power. The Operate light will flash as the system warms up.
2. Make sure that the Operate light has stopped flashing.
3. Make sure that paper is loaded in the sheet feeder.
4. Select the size of the paper with the Paper Size button on the control panel.



**Note:**

- ❑ *The following sizes can be selected:  
Metric: A4, B5, A6  
US: Letter, Legal, Half Letter, 5 × 8"*
- ❑ *If you are using Legal-sized paper, use the Automatic Document Feeder.*

- ❑ *Select either Metric or US size in the Menu Mode (Control Panel Setting). For details, refer to “Changing the Control Panel Settings” on page 9-16.*
5. Make sure the original is placed correctly on the document table.

**Note:**

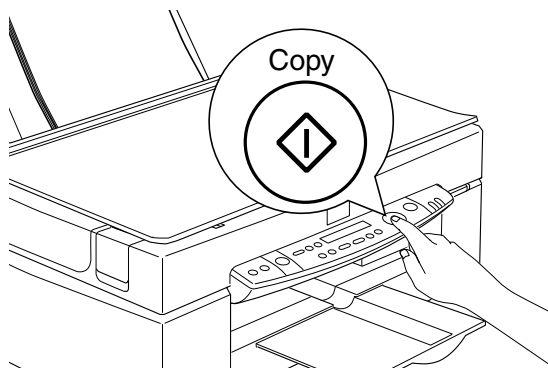
*With the Automatic Document Feeder you can copy a stack of originals automatically in a single operation. For details, refer to “Using the Optional Automatic Document Feeder” on page 9-9.*

6. Use the control panel buttons to select B&W or Color, Copy Quality, Copies, Reduce/Enlarge and Lighter/Darker. For details, refer to “Using the Control Panel” on page 9-12.

**Note:**

*When you are using the Automatic Document Feeder, the number of Copies will be automatically set to one even if you have a multi-page original document. You cannot change this setting.*

7. Press the ◊ Copy button to start copying.



**Note:**

*Press the ⊕ Stop button to halt copying in progress. The sheet being copied will be ejected.*

---

## ***Using the Optional Automatic Document Feeder***

The optional Automatic Document Feeder can be used to make copies of multiple pages automatically. Even with the Automatic Document Feeder mounted, you can still make single copies using the Document table.

### ***Loading paper into the Automatic Document Feeder***

The Automatic Document Feeder can automatically load up to 20 sheets of the following paper sizes (based on a paper weight of 17lbs and stack thickness of 4.0 mm or less):

Checks	83 × 127 mm (3.5 × 5 inches)
B5	182 × 257 mm (7.17 × 10.1 inches)
A4	210 × 297 mm (8.27 × 11.69 inches)
Letter	215.9 × 279.4 mm (8.5 × 11 inches)
Legal	215.9 × 355.6 mm (8.5 × 14 inches)

***Note:***

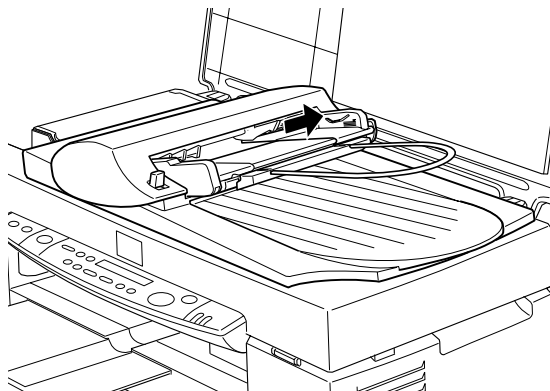
*When you are using the Automatic Document Feeder, the number of Copies will be automatically set to one even if you have a multi-page original document. You cannot change the Copies setting.*

Follow the steps below to load paper into the Automatic Document Feeder.

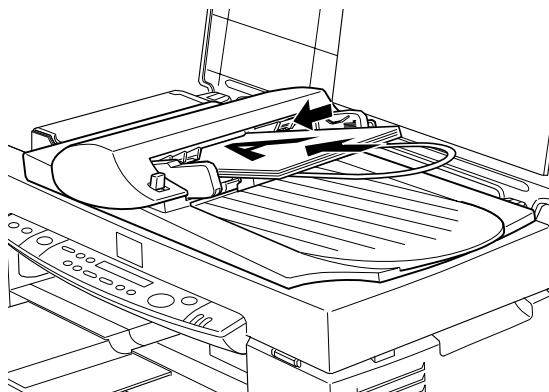
***Note:***

*Make sure no dust is on the document table when using the Automatic Document Feeder. Dust on the document table near the scan carriage home position may result in vertical lines on copied images. Also make sure that there are no documents left on the Automatic Document Feeder.*

1. Slide the right edge guide all the way to the right.



2. Insert the paper stack into the Automatic Document Feeder until it meets resistance. Make sure that the side you want to scan is facing up. Then move the right edge guide so it is flush with the right edge of your paper.



Documents are output to the lower tray after copying is finished.

## ***Loading documents manually***

You can load documents manually even when the Automatic Document Feeder is installed.

Lift the Automatic Document Feeder and place the document on the document table. Then lower the Automatic Document Feeder and scan the document.

### ***Note:***

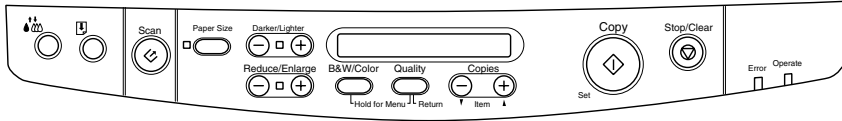
- Opening the Automatic Document Feeder or its cover while it is operating results in an option error and paper feeding will stop.*
- Always close the Automatic Document Feeder and its cover before copying. If you are copying thick material or documents of more than 2cm in height, the Automatic Document Feeder can be left in the upright position.*
- When copying thin documents, you may see an impression of the underside of the Automatic Document Feeder in your copies. If this happens, use the document cover.*



---

## Using the Control Panel

You can control most copy functions from the Control Panel.



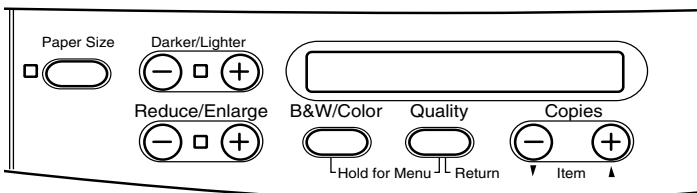
### Note:

When you make a copy using the control panel function, a moiré (cross-hatch) pattern may appear on your printout. To eliminate the moiré, change the reduce/enlarge ratio or shift the position of the document.

This section describes the control panel LCD displays and button functions.

## LCD panel

The LCD panel displays the current copy settings.



The LCD panel displays, from the left, the enlargement/reduction ratio, copy color, copy quality, and number of copies. The display will change to reflect any settings you change, so you can always check your current settings.

Paper Size and Lighter/Darker settings are displayed when the corresponding button is depressed.

## **Copy button**

Copying will start when the Copy button is pressed.  
The default copy settings are:

Reduce/Enlarge:	100%
B&W/Color:	B&W
Quality:	Normal
Copies:	1

On the LCD Panel, the display will read "100% B&W Normal 1".

## **Stop/Clear button**

Press the Ⓞ Stop/Clear button to halt copying. The sheet being copied will be ejected.

When the Ⓞ Stop/Clear button is pressed while the LCD panel is displaying copy settings ("100% B&W Normal 1"), the number of copies will be reset to one.

### **Note:**

*When you are using the Automatic Document Feeder, the number of Copies will be automatically set to one even if you have a multi-page original document. You cannot change the Copies setting.*

If you press the Ⓞ Stop/Clear button while changing either the Quality, Paper Size, Reduce/Enlarge, B&W/Color, or Copies setting, that setting will return to its default value.

## **Paper Size button**

This is used to set the paper size. When the Paper Size button is pressed the LCD panel will show the Paper Size setting. Press the button again to select the desired Paper Size. After you select a Paper Size, the display will automatically return to its previous state.

The following paper sizes can be selected:

Metric: A4, B5, A6

US: Letter, Legal, Half Letter, 5x8"

### **Note:**

- Select either Metric or US size in the Menu Mode (Control Panel Setting). For details, refer to "Changing the Control Panel Settings" on page 9-16.*
- If you are using Legal-sized paper, use the Automatic Document Feeder.*

## **B&W/Color button**

This button is used to set the output color (grayscale or color). Press the B&W/Color button and the LCD panel display will change to the B&W/Color setting. Press again to select the desired setting. After you make a selection, the display will automatically return to its previous state.

## **Copies buttons**

This button is used to set the number of copies. Press the "+" or "-" Copies button and the number of copies displayed on the LCD panel will begin to flash. Press the button again to change the number of copies to a number from 1 to 20.

**Note:**

*When making a Color copy with Quality set to Photo, the LCD panel will display a message reading "Load Photo Paper". When Quality is set to Photo, we recommend using EPSON Photo Paper for best results.*

**Reduce/Enlarge button**

This is used to set the enlargement/reduction ratio. Press the "+" or "-" Reduce/Enlarge button and the Reduce/Enlarge setting will be displayed on the LCD panel. Press again to select the desired setting. After you make a selection, the display will automatically return to its previous state.

The following ratios can be selected:

200%, 141%, 120%, 100%, 93%, 80%, 70%, 50%

The initial setting is 100%.

**Quality button**

This is used to set copy quality. Press the Quality button and the Quality setting will be displayed on the LCD panel. Press again to select the desired setting. When you make a selection, the display will automatically return to its prior state.

The following Quality settings can be selected:

B&W: Normal, Fine

Color: Normal, Fine, Photo

We recommend the following Quality settings for different originals.

Normal: Text, Line Art, Graphics

Fine: Photographs, plain paper

Photo: Photographs, EPSON Photo Paper

The initial setting for both B&W and Color is Normal.

### ***Lighter/Darker button***

This is used to set the copy printout density. Press the "+" or "-" Lighter/Darker button and the Lighter/Darker setting will be displayed on the LCD panel. Press again to select the desired setting. After you make a selection, the display will automatically return to its previous state.

The following print density settings can be selected:

-2, -1, 0, +1, +2

The initial setting is zero.

---

## ***Changing the Control Panel Settings***

Depress the Quality button and B&W/Color button for three seconds and the LCD panel display will change to the Menu Mode, making it possible to change the following settings. These settings will be saved, and remain effective even when the power is turned off, until they are changed again manually.

The following items can be set in the Menu Mode:

- Status Sheet Print
- Bottom Margin
- Paper Size
- Language
- Set Factory Default

In the Menu Mode, press the Copies “+” or “-” button to select the desired item.

There are two methods of quitting the Menu Mode.

Press the Quality button to enable the settings and exit the Menu Mode, or press the Ⓞ Stop/Clear button to restore the default settings.

## **Status Sheet Print**

When Status Sheet Print is displayed on the LCD panel, press the ⬠ Copy button to print out a Status Sheet listing the current settings for the following items:

- Bottom Margin (3mm or 14mm)
- Paper Size category (Metric or US)
- Language used on panel display

## **Bottom Margin**

This is used to set the paper Bottom Margin for copying to either 3 or 14 mm. The initial setting is 14 mm.

### **Note:**

*You can extend the minimum bottom margin to 3mm. However, copy quality may degrade in the expanded area.*

## **Paper Size**

This is used to set the paper size category for copying. Press the ⬠ Copy button to select Metric or US. In Metric, you will be able to use paper sizes A4, B5, and A6. In US, you will be able to use Letter, Legal, Half Letter, and 5x8".

### **Note:**

*If you are using Legal-sized paper, use the Automatic Document Feeder.*

## ***Language***

This is used to set the language used on the LCD panel. Press the  Copy button to select the display language.

## ***Set Factory Default***

Returns Menu Mode settings (Bottom Margin, Paper Size, Language) to the factory defaults.

---

## ***Using the Copy Utility (from EPSON SMART PANEL)***

Copy Utility is a function within EPSON SMART PANEL. Before you can use it, you must install the EPSON Stylus Scan Software and EPSON SMART PANEL in the computer. Refer to the *Setup Guide* for details on installation.

## ***Accessing the Copy Utility***

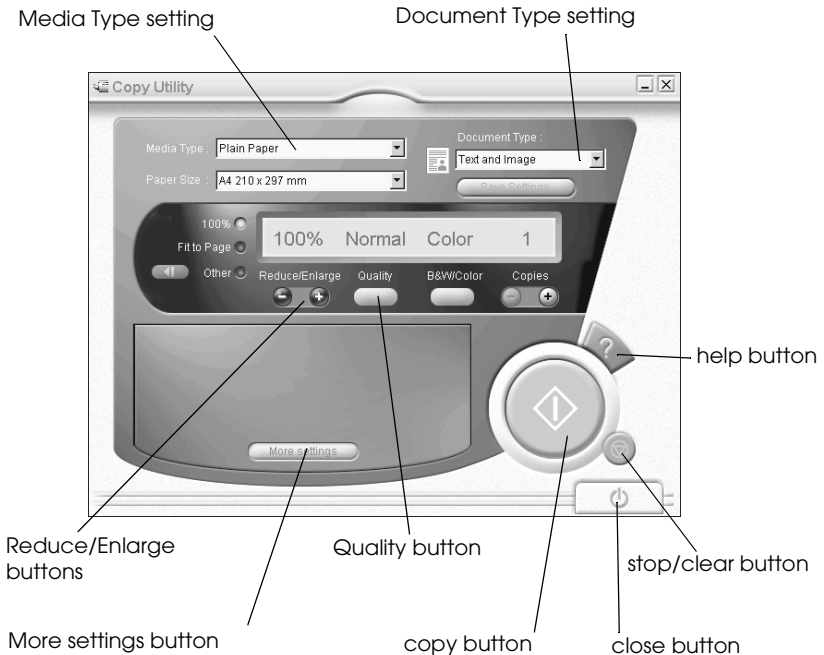
Follow these steps to access the Copy Utility.


1. For Windows:  
Click Start, then select Programs, and EPSON SMART PANEL to open the EPSON SMART PANEL application.  
For Macintosh:  
Click the Apple menu, then select EPSON SMART PANEL to open the EPSON SMART PANEL application.
2. EPSON SMART PANEL appears. Click the copier icon to launch the Copy Utility. The Copy Utility dialog box appears.

To make copy settings, see the next section.

## Making Copy Settings in the Copy Utility

You can make copy settings in the Copy Utility dialog box.



See below to make your settings. If necessary, click the More settings button to make advanced and custom settings. After you finish making settings, click the  copy button to begin copying.

Help button	Click for online help.
Stop/Clear button	Click to quit copying already in progress.
Copy button	Click to start copying.
Close button	Click to close the utility or the menus for custom settings.
More settings button	Click to make custom settings.



## Making paper and document settings



### Media Type

Select the type that matches the paper you have loaded into the paper feeder.

### Paper Size

Select the size that matches the paper you have loaded into the paper feeder.

### Document Type

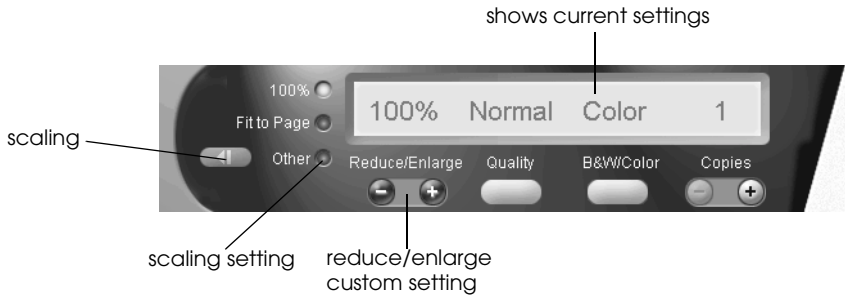
Select the type that matches the original document that you are copying.

Text	Use if your document contains text only.
Photo	Use if you are copying from a photograph.
Text and Image	Use if your document includes both text and illustrations.
Save Settings	Click this button to open a dialog box where you can save your settings.
Multi-page Document	Allows you to use the ADF (Auto Document Feeder) for multi-page copies. This selection appears only when the ADF is connected to your Stylus Scan.

### Note:

*Some document settings allow you to choose black + white or color options. Change the black + white or color option does not change the document setting.*

## Making other basic settings




### Reduce/Enlarge

To set the reduce/enlarge ratio, do either of the following:

- To make a copy that is the same size as your document, select 100%.
- To automatically re-size the image to match the size of your paper size setting, select Fit to Page.

To set an arbitrary size, do either of the following:

- Select Other, then click the + or - button to adjust the setting.
- Click the  scaling button to open a dialog box where you can adjust the setting.

### Quality

Click this button to select the quality for your copy.

Normal: Print quality is lower, but print speed is higher.

Fine: Provides high quality printout.

## *B&W/Color*

Click to select between a black-and-white or color copy.

## *Copies*

Use these buttons to select the number of copies you want to make. Press the + button to increase the number of copies, or the - button to reduce it.

## Chapter 10

---

# **Replacing Ink Cartridges**

Replacing Empty Ink Cartridges . . . . .	10-2
Using the control panel . . . . .	10-2
Using the Status Monitor 3 . . . . .	10-8
Replacing an Old or Damaged Ink Cartridge . . . . .	10-9

---

## Replacing Empty Ink Cartridges

### Using the control panel

The Stylus Scan's Error light and panel message will inform you when it is time to get a replacement ink cartridge ready, and when it is time to replace the ink cartridges.

**Note:**

*If an ink cartridge is damaged or old, you may need to replace it before it runs out of ink. For information, see "Replacing an Old or Damaged Ink Cartridge" on page 10-9.*

This table explains what the error lights and LCD panel messages on your Stylus Scan mean and what actions you need to take.

Error Light	Message	Action
Off	Black Ink Low	The black ink cartridge is running low. Have a new black ink cartridge ready. (You can replace the cartridge now, or you can wait until it is empty.)
Flashing	Black Ink Out	The black ink cartridge is empty. Replace it with a new black ink cartridge.
Off	Color Ink Low	The color ink cartridge is running low. Have a new color ink cartridge ready. (You can replace the cartridge now, or you can wait until it is empty.)
Flashing	Color Ink Out	The color ink cartridge is empty. Replace it with a new black ink cartridge.



**Caution:**


- ❑ EPSON recommends the use of genuine EPSON ink cartridges. Products from other manufacturers may cause damage not covered under the EPSON warranty.
- ❑ Never remove a cartridge from the Stylus Scan until you have a new cartridge on hand to replace it. Leaving the Stylus Scan with a missing cartridge may cause ink in the print head nozzles to dry out.
- ❑ If you are using the Automatic Document Feeder and need to replace the ink cartridge, remove the Automatic Document Feeder from the Stylus Scan, but do not pull out the connector.

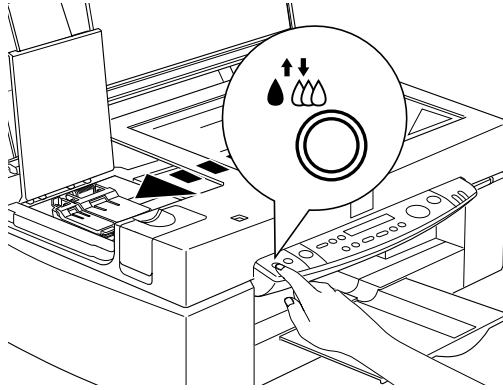
**Note:**

- ❑ Once a cartridge becomes empty, you must replace it before continuing printing or performing a maintenance operation. The Stylus Scan cannot operate if either cartridge is empty.
- ❑ In addition to the ink used during document printing, ink is consumed during the print head cleaning operation and during the self cleaning cycle which is performed when the Stylus Scan is turned on.

Before replacing ink cartridges, make sure the Stylus Scan is on. The operate light should be on and not flashing. Determine which ink cartridge needs to be replaced by referring to the LCD Panel on the control panel.

1. Make sure the Stylus Scan is on. The Operate light should be on.
2. Refer to the panel message to determine which cartridge is low or empty.
3. Open the document cover and maintenance cover.


4. Hold down the  cleaning button for three seconds until the print head moves to the cartridge replacement position. The Operate light begins flashing.



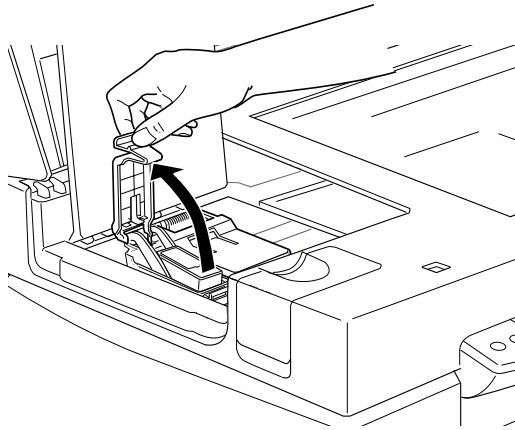
**Caution:**

*Do not move the print head by hand, as doing so may damage the mechanism.*

**Note:**

*If you press the  cleaning button for three seconds when the black and color ink out lights are off, the Stylus Scan starts cleaning the print head.*

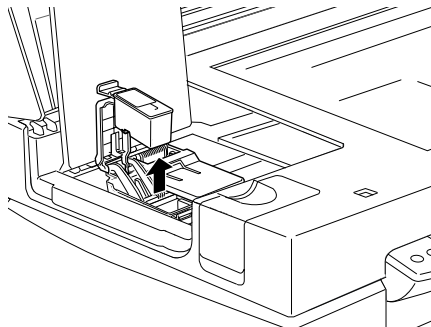
5. Lift up the clamp that holds the cartridge as far as it will go. The cartridge rises partly out of the cartridge holder.



**Caution:**

*Once you open the ink cartridge clamp, the ink cartridge becomes unusable and cannot be reinstalled, even if ink remains.*

6. Lift the cartridge out of the Stylus Scan and dispose of it properly. Do not take the used cartridge apart or try to refill it.

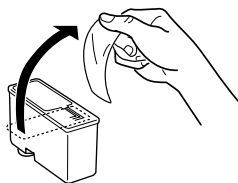




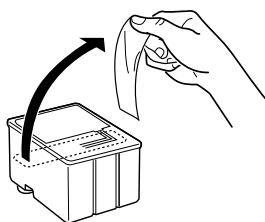
**Warning:**

- ❑ *If ink gets on your hands, wash them thoroughly with soap and water. If ink gets into your eyes, flush them immediately with water. If discomfort or vision problems remain after a thorough flushing, see a doctor immediately.*
- ❑ *Keep ink cartridges out of the reach of children. Do not allow children to drink the ink or otherwise handle the cartridges.*

7. Remove the new ink cartridge from its protective bag. Next, remove only the yellow tape seal from the cartridge.



black ink cartridge (S020189)

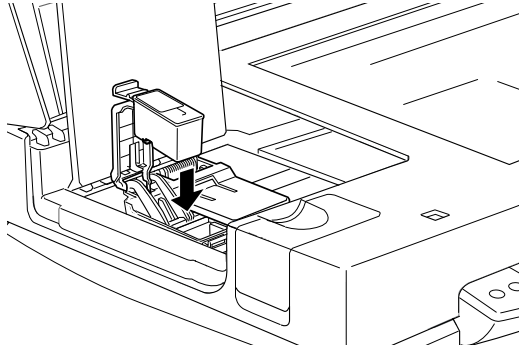


color ink cartridge (S020191)

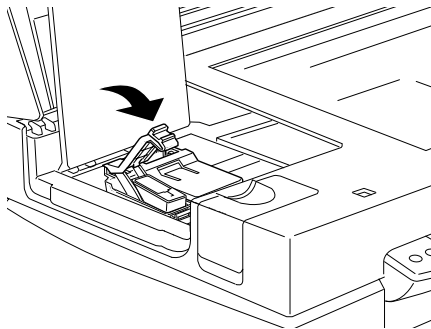
**Caution:**

- ❑ *You must remove the yellow tape seal from the cartridge before installing it. The cartridge will be permanently damaged if installed with the yellow tape attached.*
- ❑ *Do not remove the blue portion of the tape seal from the top of the cartridge; otherwise, the print head may become clogged and unable to print.*
- ❑ *Do not remove the tape seal from the bottom of the cartridge; otherwise, ink will leak.*

- Place the ink cartridge gently into the cartridge holder with the label on the cartridge facing up. Do not press down on the cartridge.




- Press the ink cartridge clamp down until it locks in place.



**Caution:**

*Once you install the ink cartridges, do not open their clamps again until you are ready to replace the cartridges. Lifting the clamps makes the cartridges unusable.*

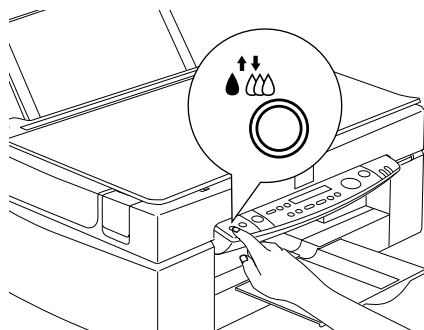
- Close the maintenance cover and the document cover.

11. Press the  cleaning button. The Stylus Scan moves the print head and begins charging the ink delivery system. The Operate light flashes during ink charging. This process takes about one minute to complete. When the ink charging process is finished, the Stylus Scan returns the print head to the home position and the Operate light stops flashing.



**Caution:**

*Never turn off the Stylus Scan while the Operate light is flashing. Doing so can result in incomplete charging of ink.*



### **Using the Status Monitor 3**

If you have installed EPSON Status Monitor 3 in your computer, you can monitor the remaining ink level from your computer and view on-screen instructions for replacing a low or empty ink cartridge.

When an ink cartridge is low or empty and you are ready to replace it, click the HOW TO button in Status Monitor's Printer Status window. This print head moves to the ink cartridge replacement position. Follow the on-screen instructions to replace the cartridge.

---

## Replacing an Old or Damaged Ink Cartridge

In some circumstances you may need to replace an ink cartridge before it is empty. For example, if the quality of your prints and copies remains poor even after repeated cleaning and aligning of the print head, one or both of the ink cartridges may be old or damaged and should be replaced.


If the Black or Color Ink Out message is displayed, replace the empty ink cartridge as described in “Replacing Empty Ink Cartridges” on page 10-2.

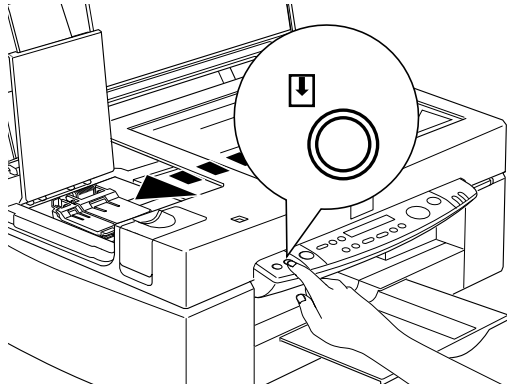
To replace an ink cartridge before the Black or Color Ink Out message appears, follow the steps below.



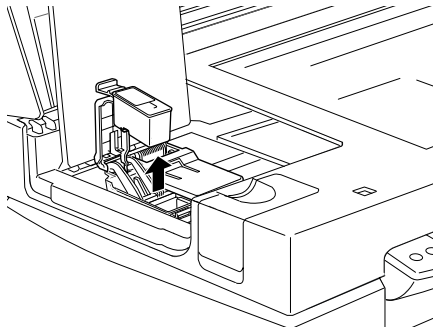
**Caution:**

- Once you remove an ink cartridge, it becomes unusable and cannot be reinstalled even if ink remains.*
  - Leave the old cartridge installed in the Stylus Scan until you are ready to replace it with a new one.*
1. Make sure the Stylus Scan is on. The Operate light should be on, but not flashing.
  2. Open the document cover and maintenance cover.

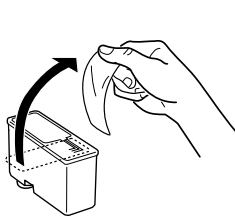
3. Hold down the  load/eject button for three seconds; the print head moves to the cartridge replacement position. The Operate light begins flashing.



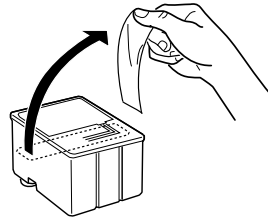
4. Lift the appropriate ink cartridge clamp, then lift the cartridge out of the Stylus Scan and dispose of it properly.



5. Remove the yellow tape seal from a new cartridge.

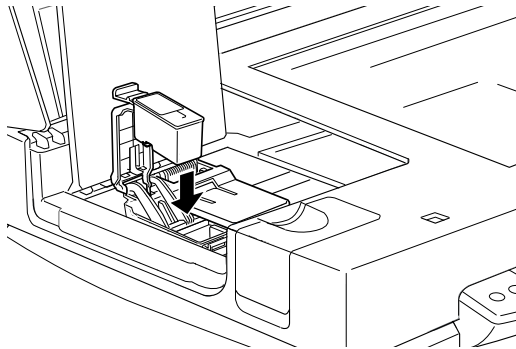


black ink cartridge (S020189)



color ink cartridge (S020191)


6. Place the cartridge gently into the cartridge holder. Do not press down on the cartridge. Then press the ink cartridge clamp down until it locks in place.

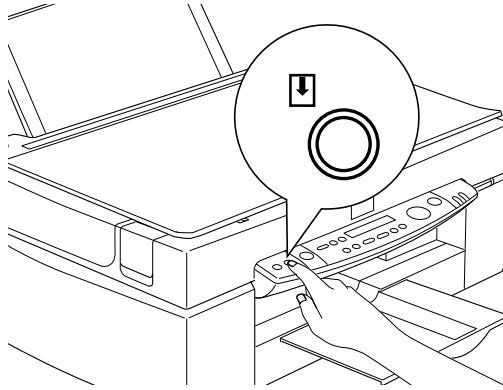


**Caution:**

*Do not open the clamp again until you are ready to replace the cartridge. Opening the clamp causes the installed cartridge to become unusable.*

7. Close the maintenance cover and the document cover.

8. Press the  load/eject button again. The Stylus Scan moves the print head back to the home position and charges ink in the system.



**Caution:**

*The Operate light continues to flash while the Stylus Scan charges ink. Never turn off the Stylus Scan while the Operate light is flashing. Doing so can result in incomplete ink charging.*

## Chapter 11

---

# Maintenance

Checking the Print Head Nozzles . . . . .	11-2
Using the Nozzle Check utility . . . . .	11-2
Using the control panel buttons . . . . .	11-3
Cleaning the Print Head . . . . .	11-4
Using the Head Cleaning utility . . . . .	11-5
Using the control panel buttons . . . . .	11-8
Aligning the Print Head . . . . .	11-9
Calibrating Your System . . . . .	11-10
Calibrating Your Screen . . . . .	11-11
Using ICM, ICM/sRGB (For Windows 98/95 Users) . . . . .	11-12
Replacing the fluorescent lamp . . . . .	11-15
Optional Automatic Document Feeder . . . . .	11-15
Cleaning or replacing the paper path guide . . . . .	11-15
Clearing Jammed Paper . . . . .	11-20
Cleaning the Stylus Scan . . . . .	11-21
Transporting the Stylus Scan . . . . .	11-22



---

## **Checking the Print Head Nozzles**

If you find that your printouts and copies are unexpectedly faint or that there are gaps (missing dots) in the printed image, you may be able to identify the problem by checking the print head nozzles.

You can check the print head nozzles from your computer or from the control panel. To check from your computer, use the Nozzle Check utility in the printer software window. Both methods are described below.

### **Using the Nozzle Check utility**

**Note:**

*Do not start the Nozzle Check utility while printing is in progress. Doing so may mar your printout.*

For Windows users



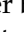
1. Make sure A4 or Letter size paper is loaded in the sheet feeder.
2. Access the printer software window. If you need instructions, see “Accessing the printer software” on page 4-2.
3. Click the Utility tab in the printer window, then click the Nozzle Check button.
4. Follow the messages on your screen.

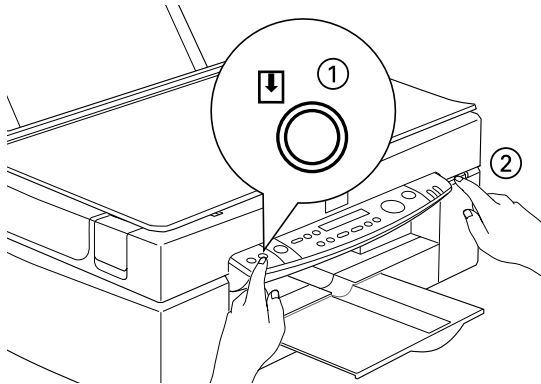
For Macintosh users

1. Make sure A4 or Letter size paper is loaded in the sheet feeder.
2. Access the Print or Page Setup dialog box.
3. Click the Utility icon button in the Print or Page Setup dialog box, then click the Nozzle Check button.

4. Follow the messages on your screen.

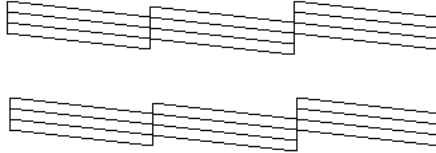
### ***Using the control panel buttons***

1. Make sure that A4 or Letter size paper is loaded in the paper bin.
2. If the Stylus Scan is on, press the  power button once to turn it off.
3. Hold down the  load/eject button (① in the illustration below) while pressing the  power button (② in the illustration below) to turn on the Stylus Scan. Then release both buttons.

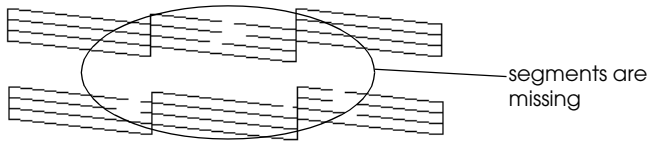


The Stylus Scan prints out ROM version information, ink counter codes, and a nozzle check pattern. Here are sample printouts.

Good sample



Print head needs to be cleaned



The above sample is in black and white, but the actual test prints in color (CMYK).

If the quality is not satisfactory (for example, if a line segment is missing), it is likely that a nozzle is clogged or that the print head is out of alignment. For information about how to clean the print head, see the next section. For information about how to realign the print head, see "Aligning the Print Head" on page 11-9.

---

## ***Cleaning the Print Head***

If you find that printouts and copies are unexpectedly faint or that there are gaps (missing dots) in the printed image, you may be able to solve the problem by cleaning the print head. Cleaning the print head ensures that nozzles are delivering ink properly.

You can carry out cleaning either from your computer or from the control panel. To run a cleaning cycle from your computer, use the Head Cleaning utility. Both methods are described below.

**Note:**

- ❑ *Print head cleaning uses both color and black ink. To avoid wasting ink, clean the print head only if print quality declines.*
- ❑ *Use the Nozzle Check utility to check if the print head needs to be cleaned. This saves ink.*
- ❑ *When the Black or Color Ink Out light is flashing or on, you cannot clean the print head. Replace the appropriate ink cartridge first.*
- ❑ *Do not start the Head Cleaning or the Nozzle Check utility while printing is in progress; otherwise your printout may be marred.*

## **Using the Head Cleaning utility**

For Windows users

1. Make sure that an ink out message is not displayed on the LCD panel.

**Note:**

*If the ink out message is displayed, you cannot clean the print head. Replace the appropriate ink cartridge first.*

2. Access the printer software window. If you need instructions, see “Accessing the printer software” on page 4-2.
3. Click the Utility tab in the printer window, then click the Head Cleaning button.
4. Follow the messages on your screen.

The Operate light flashes while the Stylus Scan performs a cleaning cycle. The cycle takes about one minute to complete.



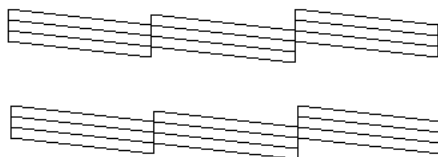
**Caution:**

*Never turn off the Stylus Scan while the Operate light is flashing. Doing so may damage the device.*

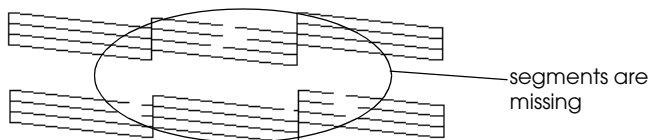
5. When the Operate light stops flashing, click Print nozzle check pattern in the Head Cleaning dialog box to confirm that the head is clean and to reset the cleaning cycle.

Nozzle check patterns:

Good sample



Print head needs to be cleaned



The above sample is in black and white, but the actual check pattern prints in color.

If you find that any segments are missing from the test lines in the check pattern, you may need to repeat the head cleaning and print the check pattern again.

If quality hasn't improved after repeating this procedure four or five times, turn the Stylus Scan off and leave it off overnight. Then try head cleaning again.

If the print quality still does not improve, one or both of your ink cartridges may be old or damaged and may need to be replaced. To replace an ink cartridge before it is empty, see “Replacing an Old or Damaged Ink Cartridge” on page 10-9.

If print quality remains a problem after replacing the ink cartridges, contact your dealer.

**Note:**

*To maintain print quality, we recommend turning on the Stylus Scan for at least one minute every month.*

For Macintosh users

1. Make sure that the Stylus Scan is on, and the LCD panel is not displaying an ink out message.
2. Click the Utility icon button in the Print or Page Setup dialog box, then click the Head Cleaning button.
3. Follow the on-screen messages.

The Operate light flashes while the Stylus Scan performs a cleaning cycle. A cycle takes about one minute to complete.



**Caution:**

*Never turn off the Stylus Scan while the Operate light is flashing. Doing so may damage the device.*

4. When the Operate light stops flashing, click the Confirmation button in the Head Cleaning dialog box to print a nozzle check pattern and to reset the cleaning cycle. Use the check pattern to confirm that the head is clean.

If print quality hasn't improved after repeating this procedure four or five times, turn the Stylus Scan off and leave it off overnight. Then try head cleaning again.


If the print quality still has not improved, one or both of your ink cartridges may be old or damaged and may need to be replaced. To replace an ink cartridge before it is empty, see “Replacing an Old or Damaged Ink Cartridge” on page 10-9.

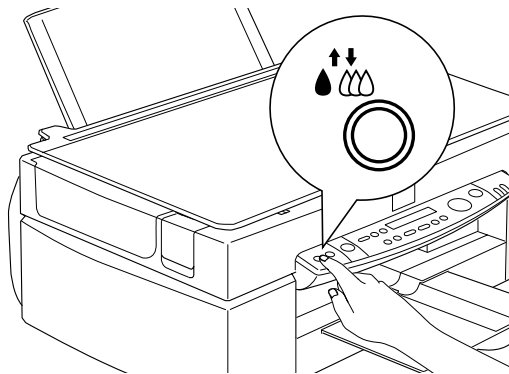
If print quality remains a problem after replacing the ink cartridges, contact your dealer.

**Note:**

*To maintain print quality, we recommend turning on the Stylus Scan for at least one minute every month.*

### **Using the control panel buttons**

1. Make sure that the Operate light is on and that an ink out or ink low message is not displayed.
2. Hold down the  cleaning button for three seconds.




The Stylus Scan starts cleaning the print head and the Operate light begins flashing. Print head cleaning takes about one minute to complete.



**Caution:**

*Never turn off the Stylus Scan while the Operate light is flashing. Doing so may damage the device.*

**Note:**

*If an ink out or ink low message is displayed, press the Cleaning button to start the ink cartridge replacement procedure. If you do not want to replace an ink cartridge at this time, press the  cleaning button again to return the print head to its home position.*

3. When the Operate light stops flashing, print a short document to confirm that the head is clean and to reset the cleaning cycle.

If print quality hasn't improved after repeating this procedure four or five times, turn the Stylus Scan off and leave it off overnight. Then try head cleaning again.

If the print quality still has not improved, one or both of your ink cartridges may be old or damaged and may need to be replaced. To replace an ink cartridge before it is empty, see "Replacing an Old or Damaged Ink Cartridge" on page 10-9.

If print quality remains a problem after replacing the ink cartridges, contact your dealer.

**Note:**

*To maintain print quality, we recommend turning on the Stylus Scan for at least one minute every month.*

---

## **Aligning the Print Head**

If you notice a misalignment of vertical lines, you may be able to solve this problem from your computer using the Print Head Alignment utility.

**Note:**


*Do not start the Print Head Alignment utility while printing is in progress; doing so may mar your printout.*



For Windows users

1. Make sure A4 or Letter size plain paper is loaded in the sheet feeder.
2. Access the printer software window. If you need instructions, see “Accessing the printer software” on page 4-2.
3. Click the Utility tab in the printer window, then click the Print Head Alignment button.
4. Follow the messages on your screen to align the print head.

For Macintosh users

1. Make sure A4 or Letter size plain paper is loaded in the sheet feeder.
2. Access the Print or Page Setup dialog box.
3. Click the  Utility icon button in the Print or Page Setup dialog box, then click the Print Head Alignment button.
4. Follow the messages on your screen to align the print head.

---

## ***Calibrating Your System***

When you install the EPSON Stylus Scan Software, the EPSON Screen Calibration utility is automatically installed.

EPSON Screen Calibration calibrates your monitor to ensure the tone and contrast on your screen closely match the original image. Be sure to calibrate your screen before using your scanner.

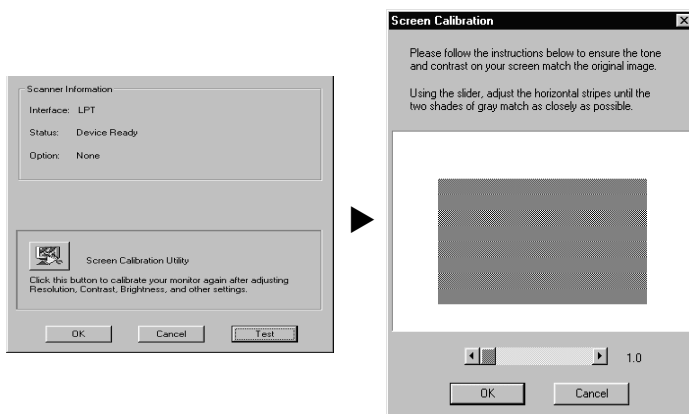
For information regarding color and output device calibration, see the *Color Guide*.

## Calibrating Your Screen

You need to calibrate your screen when you first install the scanner software, and anytime you switch to a different monitor.

For Windows Users

1. Double-click the EPSON Stylus Scan FB icon in the Control Panel. The EPSON Stylus Scan FB dialog box appears.
2. Click the Screen Calibration Utility icon button. The Screen Calibration dialog box appears.



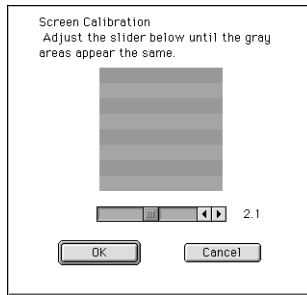
3. Move the slider to the right or left until the two shades of the gray horizontal stripes match.
4. Click OK when you have finished calibrating your scanner and monitor.
5. Click OK to close the EPSON Stylus Scan FB dialog box, then exit the Control Panel.

The gray stripes will not perfectly blend together; however, try to make the different tones match as closely as possible.

The setting is automatically saved as the Screen profile. Screen profile contains calibration information for the preview image as well as the scanned image.

For Macintosh Users

1. Double-click the EPSON Screen Calibration icon in the EPSON Scanner folder. The following dialog box appears.



2. Move the slider to the right or left until the two shades of the gray horizontal stripes match.
3. Click OK to finish calibrating your scanner and monitor.

The gray stripes will not perfectly blend together; however, try to make the different tones match as closely as possible.

The setting is automatically saved as the Screen profile. Screen profile contains calibration information for the preview image as well as the scanned image.

### ***Using ICM, ICM/sRGB (For Windows 98/95 Users)***

If you use Windows 98 or 95 and your output devices (monitor and any additional printers you wish to use) support the ICM color management system, you can use the ICM calibration method.

## **For Windows 98 users**

### **Note:**

*If your output devices do not support sRGB, make sure that the check box is clear.*

Follow the steps below:

1. Run an application that supports TWAIN and select Acquire or Acquire & Export to start EPSON TWAIN.
2. Click Configuration. Select ICM/sRGB in the Configuration dialog box.
3. Make any other settings you desire.
4. Click Scan. The scanner scans an image using the sRGB profile.

## **For Windows 95 users**

### **Note:**

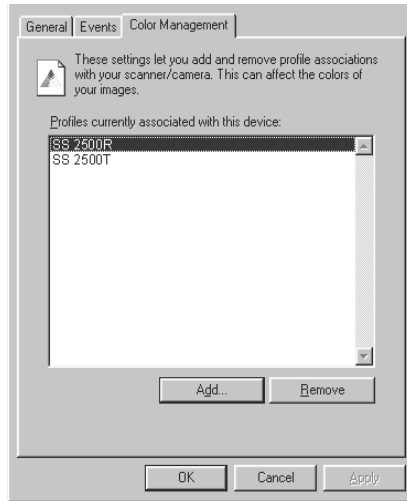
*If your output devices do not support ICM, make sure the check box is clear.*

Follow the steps below:

1. Run an application that supports TWAIN and select Acquire or Acquire & Export to start EPSON TWAIN.
2. Click Configuration. Select ICM in the Configuration dialog box.
3. Make any other settings you desire.
4. Click Scan. The scanner scans an image using the ICM profile.

**Note:**

*Adding or removing profiles on the Color Management menu of your scanner's properties dialog box will not affect the colors of your scanned images.*



### **Using ColorSync (For Macintosh Users)**

If your output devices (printer and monitor) support the Apple ColorSync color management system, you can use the ColorSync calibration method.

**Note:**

*If your output devices do not support ColorSync, make sure that the check box is clear.*

Follow the basic steps below:

1. Run an application that supports TWAIN and select Acquire to start EPSON TWAIN.
2. Click Configuration. Check ColorSync in the Configuration dialog box.
3. Make any other settings you desire.

4. Click **SCAN**. The scanner scans an image using the ColorSync profile.

When the scanned image is printed or displayed with the output device calibrated for the scanner, the image reproduced is identical to the original.

---

## ***Replacing the fluorescent lamp***

The luminosity of the fluorescent lamp declines over time. If the lamp breaks or becomes too dim to operate normally, the Stylus Scan stops working and the error light flashes red. When this happens, the lamp assembly must be replaced. For details, contact your dealer.



### ***Caution:***

*Never open the case of the Stylus Scan. If you think repairs or adjustments are necessary, consult your dealer.*

---

## ***Optional Automatic Document Feeder***

### ***Cleaning or replacing the paper path guide***

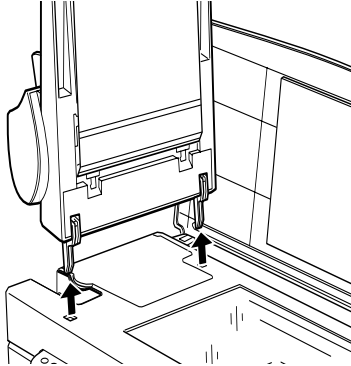
If you notice the quality of your scans has declined, or you simply want to keep the quality of your scans at their best, clean the Automatic Document Feeder paper path guide.

If the paper path guide is badly scratched and cleaning the guide does not improve the quality of your scans, replace the paper path guide.

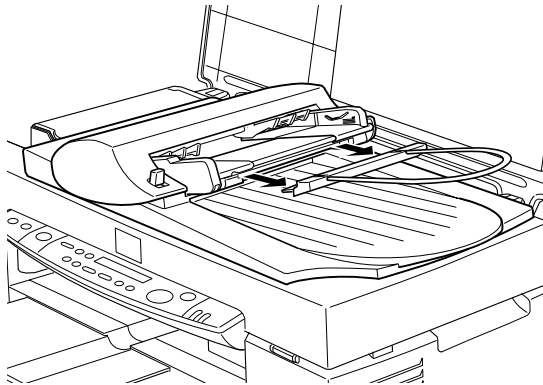
Follow the instructions below to remove, clean, and reattach the paper path guide.

## ***Removing the paper path guide***

1. Turn off the Stylus Scan.
2. Disconnect the cable for the Automatic Document Feeder, and take the Automatic Document Feeder off the Stylus Scan.

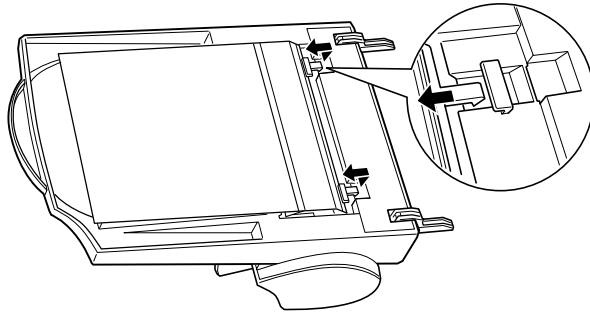


3. Take the paper support off.

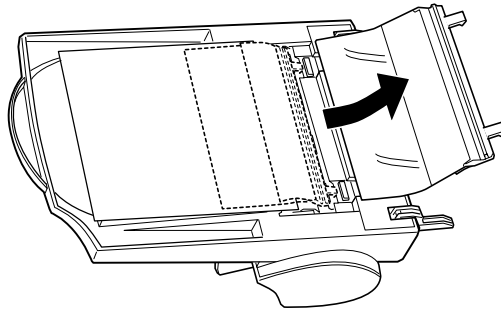


4. Put the Automatic Document Feeder on the document table upside down, with the front of the Automatic Document Feeder towards you.

5. Pull the two white hooks up, and then back down out of the holes.



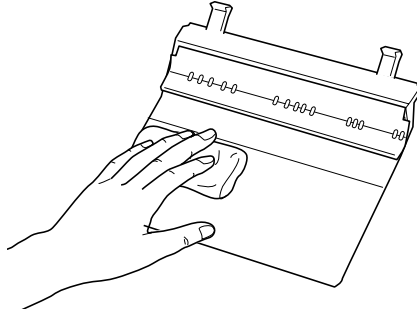
6. Pull the paper path guide upwards.





## ***Cleaning the paper path guide***

Gently wipe off dust from the transparent plastic sheet of the paper path guide with a soft dry cloth.

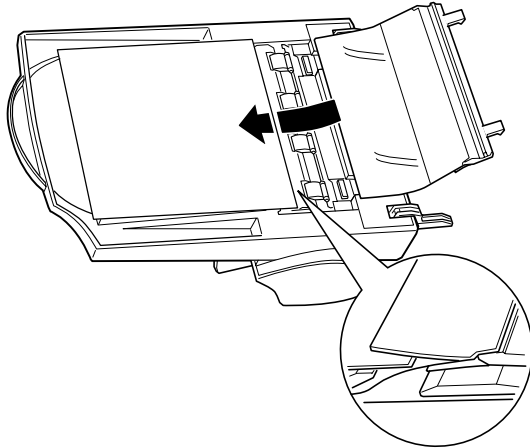


### ***Caution:***

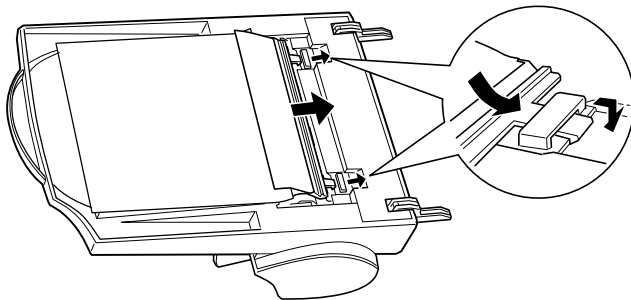
- Be careful not to scratch or damage the paper path guide.*
- Be careful not to touch the rollers or metal parts of the Automatic Document Feeder. Doing so may cause damage.*

## ***Attaching the paper path guide***

1. Insert the transparent plastic sheet of the paper path guide into the paper path of the Automatic Document Feeder.



2. Insert the hooks into the rectangular through holes in the rear direction of the Automatic Document Feeder. Make sure that the hooks clip into place.

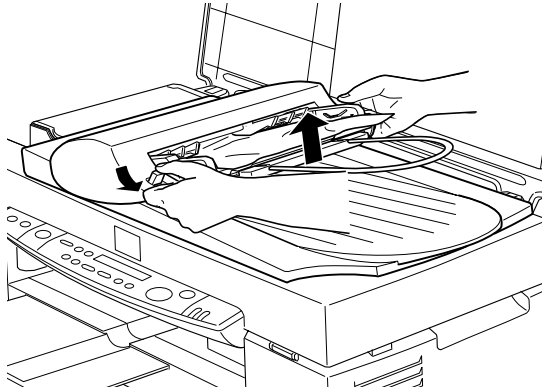


---

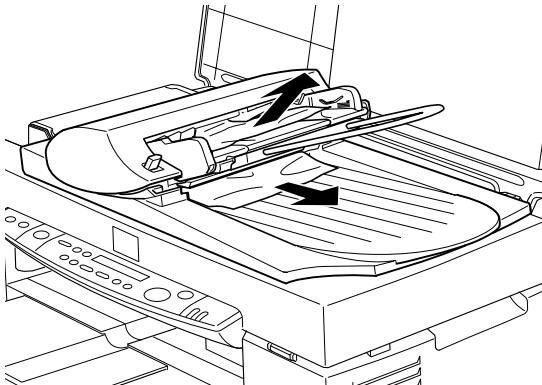
## Clearing Jammed Paper

To clear jammed paper in the optional Automatic Document Feeder, follow the steps below:

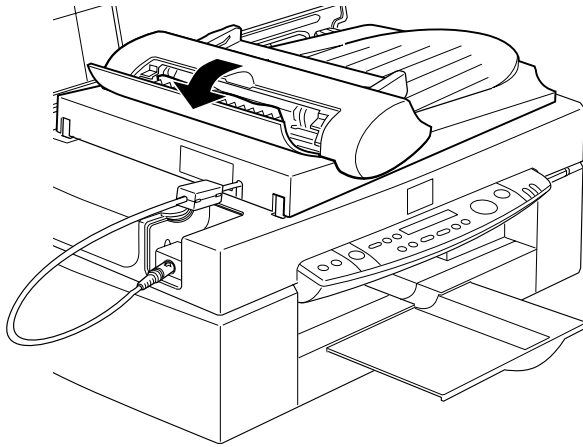
1. Turn off the Stylus Scan.
2. Push down the release lever to slightly raise the feeder mechanism and release the paper.



3. Slowly pull the jammed paper out of the feeder mechanism. (Be careful not to pull too hard; the paper may tear, making it more difficult to remove.)



4. If paper is still jammed inside the mechanism, open the cover to remove it.



5. After removing jammed paper, make sure that the cover is closed, and push the feeder mechanism down until it clicks into place.

---

## ***Cleaning the Stylus Scan***

To keep your Stylus Scan operating at its best, clean it thoroughly several times a year.

1. Make sure the Stylus Scan is turned off and all of its lights are off. Then unplug the power cord.
2. Remove all paper from the sheet feeder.
3. Use a soft brush to carefully clean away all dust and dirt.
4. If the outer case or the inside of the sheet feeder is dirty, clean it with a soft, clean cloth dampened with mild detergent. Keep the document and maintenance cover closed to prevent moisture from getting inside.

5. If the document table is dirty, open the document cover. Then clean the glass with a soft, clean and dry cloth, or with a blower brush.
6. If the inside of the Stylus Scan accidentally gets soiled with ink, wipe the ink away with a damp cloth.



**Warning:**

*Be careful not to touch the internal gears.*



**Caution:**

- Never use alcohols or thinners to clean the Stylus Scan; these chemicals can damage the components as well as the case.*
- Be careful to keep water away from the printing and scanning mechanisms and electronic components.*
- Do not use a hard or abrasive brush.*
- Do not spray the inside of the Stylus Scan with lubricants; unsuitable oils can damage the mechanisms. Contact your dealer or a qualified service person if lubrication is needed.*

---

## **Transporting the Stylus Scan**

If you need to transport your Stylus Scan, carefully repack it using the original box and packing materials as follows:

1. Make sure that the Stylus Scan power is off.

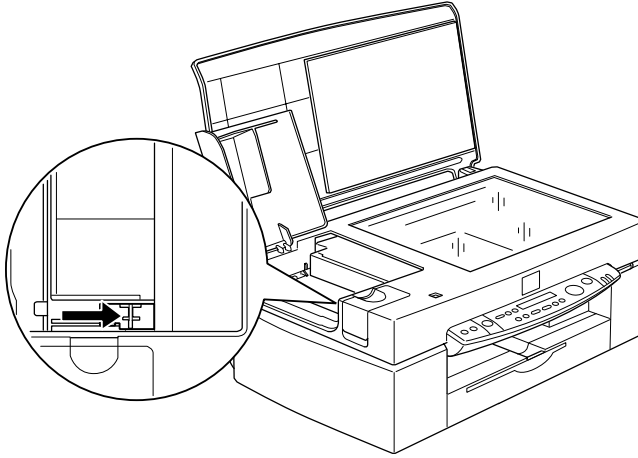


**Caution:**

*Leave the ink cartridges installed during transport. Removing the cartridges for transport may result in damage.*

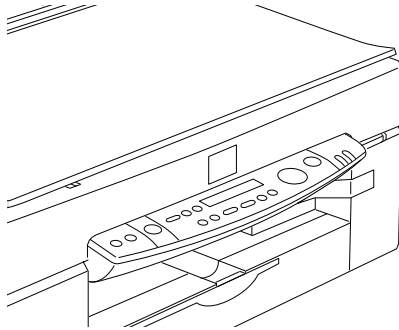
2. Open the document cover.

3. Open the maintenance cover and lock the scanner carriage.



4. Close the maintenance and document covers.
5. Unplug the power cord from the electrical outlet; then disconnect the interface cable.
6. Remove all paper from the sheet feeder, and then remove the paper supports.
7. Push in the output extension tray.

8. Secure the ink cartridge holder to the body with tape as shown below.



9. Attach the protective materials to both sides of the Stylus Scan.
10. Repack the Stylus Scan and power cord in the original box.
11. Keep the Stylus Scan level during transport.

## Chapter 12

---

# Troubleshooting

Diagnosing the Problem .....	12-2
Error Messages .....	12-2
Status Monitor 3 .....	12-4
Running a printer operation check .....	12-4
.Printing and Copying problems .....	12-7
Print and Copy Quality Could Be Better .....	12-7
Cannot print or copy .....	12-10
Paper Doesn't Feed Correctly .....	12-12
Printouts Are Not What You Expected .....	12-14
Scanning Problem .....	12-17
Operating problems .....	12-17
Quality problems .....	12-18
Improving scan speed .....	12-22
Where to Get Help .....	12-22



---

## Diagnosing the Problem



Troubleshooting is best handled in two easy steps: first diagnose the problem, then apply solutions until the problem is fixed. You can find the information that you need to diagnose most common problems directly from the control panel message and from the Status Monitor utility.

Use the information presented in this chapter to pinpoint the source of your problem, then apply the recommended solutions until the problem is solved.

### Error Messages

You can identify many common problems by looking at the Error light and LCD panel on the control panel. If the Stylus Scan stops working and the Error light is on or flashing, use the following table to help diagnose and solve the problem.

<b>Error light</b>	<b>Error message Problem and Solution</b>	
On	<b>Printer Error</b>	
	An unknown printer error has occurred.	Turn off the Stylus Scan and contact your dealer.
On	<b>Call Service</b>	
	The used ink tank is full.	Turn off the Stylus Scan and contact your dealer.
On	<b>Scanner Error</b>	
	One of the following scanner errors has occurred: The transportation lock has not been released, the fluorescent lamp needs to be replaced, or the EPSON Stylus Scan is broken.	Make sure that the transportation lock is in the unlocked position; then turn the Stylus can off and back on. If the Stylus Scan still does not operate properly, or if this error occurs repeatedly, consult your dealer.

On	<b>ADF Jam</b>	
	No paper is loaded, or paper has jammed in the Automatic Document Feeder.	Load paper in the Automatic Document Feeder, or turn off and remove the jammed paper from the Automatic Document Feeder.
Flashing	<b>ADF Cover Open</b>	
	The cover of the optional Automatic Document Feeder is open, or the paper feed unit is slightly open.	Make sure that the cover of optional Automatic Document Feeder is closed and/or push the paper feed unit down until it clicks into place.
Flashing	<b>Printer Jam</b>	
	Paper is jammed in the Stylus Scan.	Press the  load/eject button. The Stylus Scan should eject the jammed paper and resume printing. If the jammed paper does not clear, refer to "The paper jams" on page 12-13 for more instructions.
Flashing	<b>Printer Paper Out</b>	
	No paper loaded in the sheet feeder.	Load paper into the sheet feeder. Then press the  load/eject button. The Stylus Scan will resume printing or copying.
Flashing	<b>Black Ink Out</b>	
	The black ink cartridge is empty.	Replace the black ink cartridge with a new one. See "Replacing Empty Ink Cartridges" on page 10-2 for details.
Flashing	<b>Color Ink Out</b>	
	The color ink cartridge is empty.	Replace the color ink cartridge with a new one. See "Replacing Empty Ink Cartridges" on page 10-2 for details.

Off (Operate light flashing)	<b>Maint. Cover Open</b>	
	The maintenance cover is open.	The Stylus Scan will not operate unless the maintenance cover is closed. Close the cover.
Off	<b>Black Ink Low</b>	
	The black ink cartridge is nearly empty.	Prepare a new black ink cartridge.
Off	<b>Color Ink Low</b>	
	The color ink cartridge is nearly empty.	Prepare a new color ink cartridge.

### **Status Monitor 3**

You can also check the Stylus Scan's current status using the Status Monitor 3 utility. This utility's printer window provides status messages and a graphic display showing the current state of the Stylus Scan. The graphic display can depict several error conditions.

If an ink cartridge is empty, click the How To button in the Stylus Scan's Status window. Status Monitor will lead you step-by-step through the cartridge replacement procedure.

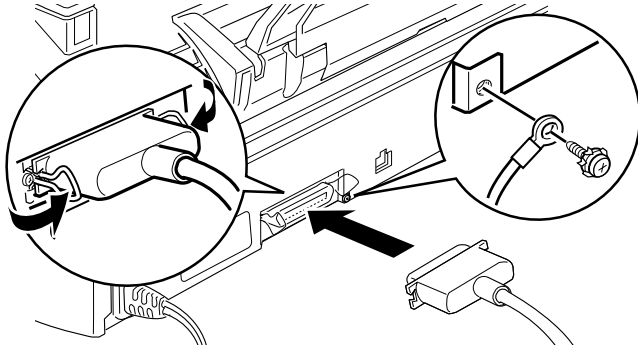
### **Running a printer operation check**


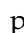
Performing a printing check can help you determine whether the problem is located in the Stylus Scan or the computer.

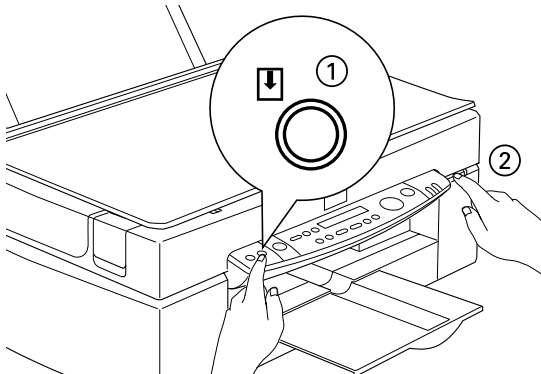
To print an operation check page, follow these steps.

1. Make sure both the Stylus Scan and computer are turned off.
2. Disconnect the cable from the Stylus Scan's interface connector.

If the Stylus Scan is connected to the parallel interface (Windows systems only): Unlock the wire clips on both sides of the interface connector, and remove the ground connector, if necessary. Then disconnect the cable from the Stylus Scan's interface connector.

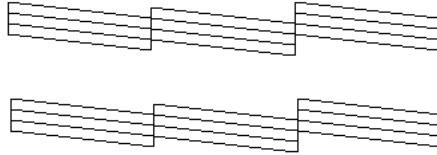


3. Make sure that A4 or Letter size paper is loaded in the sheet feeder.
4. Hold down the  load/eject button and press the  power button to turn on the Stylus Scan. Then release both buttons.



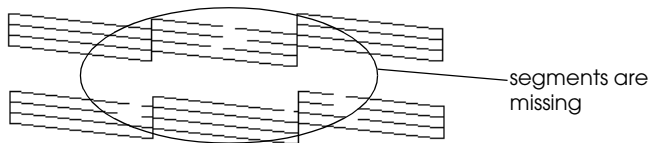
The Stylus Scan prints an operation check page that includes the Stylus Scan's ROM version number, the ink counter code, and a nozzle check pattern.

- ❑ Compare the quality of the printed check page with the sample shown below. If there are no print quality problems, such as gaps or missing segments in the test lines, the Stylus Scan itself is functioning properly and your problem may lie in the software settings, application settings, the computer, or the interface cable. Be sure to use a shielded cable.



The above sample is in black and white, but the actual check pattern prints in color (CMYK).

- ❑ If the check pattern does not look like that shown below, there is a problem with the Stylus Scan. If any segment of the printed lines is missing, it could indicate a clogged ink nozzle or a misaligned print head.



The above sample is in black and white, but the actual check pattern prints in color.

---

## ***.Printing and Copying problems***

### ***Print and Copy Quality Could Be Better***

#### ***Horizontal banding***

Try one or more of these solutions.

- Make sure the printable side of the paper is face up in the sheet feeder.
- Run the Head Cleaning utility to clear any clogged ink nozzles.
- Select the Automatic mode in your printer driver's Main menu (Windows) or Print dialog box (Macintosh).
- Check the Error light and LCD panel message. If the Error light is on and the LCD panel displays an Ink Out message, replace the ink cartridge. See "Replacing Empty Ink Cartridges" on page 10-2.
- Make sure the Maximum Printable Area setting in your printer driver is turned off. When this setting is on, banding may occur in the expanded area.

#### ***Vertical misalignment or banding***

Try one or more of these solutions.

- Make sure the printable side of the paper is face up in the sheet feeder.
- Run the Print Head Alignment utility.
- Turn off the High Speed setting in your printer driver. For instructions, see "Using the Advanced settings" on page 4-9 for Windows or "Using the Advanced settings" on page 6-8 for Macintosh.

- ❑ Run the Head Cleaning utility to clear any clogged ink nozzles.

### ***Color gaps***

Try one or more of these solutions.

- ❑ Make sure your paper is not damaged, dirty, or old. Also, make sure the printable side of the paper is face up in the sheet feeder.
- ❑ Run the Head Cleaning utility to clear any clogged ink nozzles.
- ❑ Check the Error light and LCD panel message. If the Error light is on and the LCD panel displays an Ink Out message, replace the appropriate ink cartridge. See “Replacing Empty Ink Cartridges” on page 10-2.
- ❑ Adjust the color settings in your application software or your printer driver.
- ❑ Select Automatic mode in your printer driver.

### ***Incorrect or missing colors***

Try one or more of these solutions.

- ❑ Change the ink setting in your printer driver to Color. For instructions, see “Using the Automatic setting” for Windows or “Using the Automatic setting” for Macintosh.
- ❑ Adjust the color settings in your application software or your printer driver. For instructions, see “Using the Advanced settings” on page 4-9 for Windows or “Using the Advanced settings” for Macintosh.

- ❑ Run the Head Cleaning utility. If colors are still incorrect or missing after cleaning is finished, replace the color ink cartridge. If the problem persists, replace the black ink cartridge. See “Replacing an Old or Damaged Ink Cartridge” on page 10-9.

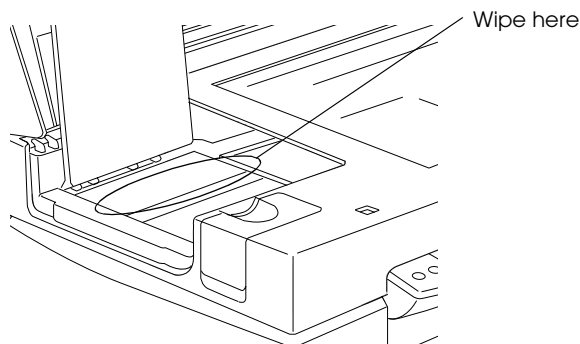
### ***Blurry or smeared printouts***

Try one or more of these solutions.

- ❑ Make sure your paper is dry and the printable side is face up. Also, make sure you’re using a suitable paper type. See “Paper” for specifications.
- ❑ Select the Automatic mode in your printer driver’s Main menu (Windows) or Print dialog box (Macintosh).
- ❑ Set the adjust lever to the “+” position, and make sure the Media Type setting is set correctly in your printer driver.
- ❑ If the paper is curled toward the printable side, flatten it or curl it slightly toward the opposite side.
- ❑ Remove each sheet from the output tray as it is printed, especially if you’re using transparencies.
- ❑ If you’re printing on glossy media or transparencies, place a support sheet (or a sheet of plain paper) beneath the stack. Or load one sheet at a time.
- ❑ Run the Head Cleaning utility.
- ❑ Run the Print Head Alignment utility.



- ❑ Ink may have leaked inside the Stylus Scan. Wipe the inside of the Stylus Scan with a soft, clean cloth.



### **Cannot print or copy**


If one of the following problems has occurred, try the solutions listed for the following conditions.

- ❑ All lights are off
- ❑ Lights came on and then went out
- ❑ Only the Operate light is on
- ❑ Error light is on
- ❑ Error light is flashing

#### **Note:**

*When the Stylus Scan is connected through the parallel interface in Windows, it is impossible to use the scanner if the printer driver is uninstalled.*

### **All lights are off**

- ❑ Press the  power button and make sure the Stylus Scan is on.

- ❑ Turn off the Stylus Scan and make sure the power cord is securely plugged in.
- ❑ Make sure your outlet works and is not controlled by a wall switch or timer.

### ***Lights came on and then went out***

The voltage required by the Stylus Scan may not match the voltage rating of your outlet. Immediately turn off the Stylus Scan and unplug it. Then check the label on the Stylus Scan to determine the required voltage.

If the required voltage does not match your outlet rating, **DONOT PLUG THE STYLUS SCAN BACK IN.** Contact your dealer.

### ***Only the Operate light is on***

Try one or more of these solutions.

- ❑ Turn off the Stylus Scan and the computer. Make sure the interface cable is securely plugged in at both ends.
- ❑ Make sure there is no packing material inside the Stylus Scan.
- ❑ Turn off the Stylus Scan and the computer, and then disconnect the interface cable. Then print an operation check page. See “Running a printer operation check” on page 12-4.
- ❑ If the check page prints, make sure the Stylus Scan software and your application software are installed correctly.

#### ***Note:***

*If you're trying to print a large image, your computer may not have enough memory available to print.*

- ❑ Clear any stalled print jobs from the Spool Manager.
- ❑ If the Stylus Scan sounds like it's trying to print, but can't, run the Head Cleaning utility.

- If the above does not work, replace the ink cartridges.

### ***Paper Doesn't Feed Correctly***

If one of the following problems has occurred, try the solutions listed for that problem.

- Paper doesn't feed
- Multiple pages feed
- The paper jams
- Paper isn't ejected fully or is wrinkled

### ***Paper doesn't feed***

Check that the loaded paper stack does not extend above the arrow mark on the left edge guide.

Remove the stack of paper and check that:

- The paper isn't curled or creased.
- The paper isn't too old. See the instructions that came with the paper for more information.
- The loaded paper stack does not extend above the arrow mark on the left edge guide.
- The paper isn't jammed inside. If it is, remove the jammed paper.

Then load paper again. Make sure you follow any special loading instructions that came with your paper. See also "Loading Special Paper and Other Media" on page 3-3.


### ***Multiple pages feed***

Remove the stack of paper and:

- ❑ Make sure the paper is not too thin. See “Paper” on page B-2 for specifications.
- ❑ Fan the edges of the stack to separate the sheets, then reload the paper.

If too many copies of a document are printing, check the Copies settings in both the printer driver and your application. For instructions, see “Modifying the printout style” on page 4-14 for Windows or “Modifying the Layout” on page 6-14 for Macintosh.

### ***The paper jams***

Press the  load/eject button to eject the jammed paper. If the error message does not clear, follow the steps below.


1. Click the EPSON Stylus Scan 2500 button on the task bar.
2. Select all print jobs and click the Cancel button.
3. Open the maintenance cover and turn the Stylus Scan off.
4. Remove all the paper inside, including any torn pieces.
5. Close the cover and turn the Stylus Scan on and load paper again.

If your paper jams frequently, make sure you:

- ❑ Use smooth, high-quality paper, loaded with the printable side up.
- ❑ Fan the stack before loading it.
- ❑ Don't load paper above the arrow mark on the left edge guide.
- ❑ Adjust the left edge guide to fit your paper.

### ***Paper isn't ejected fully or is wrinkled***

Try one or more of these solutions:

- ❑ If the paper doesn't eject fully, press the  load/eject button. Also check the paper size setting in your application or printer driver.
- ❑ If the paper is wrinkled when it comes out, it may be damp or too thin. Load a new stack.

**Note:**

*Store any unused paper in its original packaging in a dry place. See "Paper" on page B-2 for specifications.*

## ***Printouts Are Not What You Expected***

If one of the following problems has occurred, try the solutions listed for the problem.

- ❑ Incorrect or garbled characters
- ❑ Incorrect margins
- ❑ Inverted image
- ❑ Blank pages print
- ❑ Printout has smears on the bottom edge
- ❑ Printing is too slow

### ***Incorrect or garbled characters***

Try one or more of these solutions.

- ❑ If you are using a Windows machine, select the Stylus Scan as the default Windows printer.
- ❑ Clear any stalled print jobs from the Spool Manager. Windows 98 and 95 users can do this by selecting Clear all print jobs now.

- ❑ Turn off the Stylus Scan and the computer. Make sure the Stylus Scan's interface cable is securely plugged in.

### ***Incorrect margins***

Try one or more of the following solutions.

- ❑ Check the margin settings in your application software.
- ❑ Make sure the margins are within the printable area of the page. See "Paper" on page B-2 for specifications.
- ❑ In Windows, check the settings in the Paper menu. Make sure the settings are correct for the paper size you're using.

In Macintosh, check the settings in the Page Setup dialog box. Make sure the settings are correct for the paper size you're using.

### ***Inverted image***

Turn off the Flip Horizontal setting in the printer driver, or the "Mirror" setting in your application software. For instructions, see online help for the printer driver or for your application.

For Macintosh, see also "Using the Advanced settings" on page 6-8.

### ***Printouts are blank***

Try one or more of these solutions.

- ❑ If you are using Windows, select the Stylus Scan as the default Windows printer.
- ❑ If you are using Windows, check the settings in the Paper dialog box. Make sure they're correct for the paper size you're using.

- ❑ If you are using a Macintosh, check the settings in the Page Setup dialog box. Make sure they're correct for the paper size you're using.
- ❑ Run the Head Cleaning utility to clear any clogged nozzles.

After trying one or more of these solutions, run a printing operation check to see whether the problem has been solved. See "Running a printer operation check" on page 12-4.

### ***Printing is too slow***

Try one or more of these solutions.

- ❑ Make sure the Media Type setting is set correctly in your printer driver. For instructions, see "Making the Media Type setting" on page 4-4 for Windows or "Making the Media Type settings" on page 6-3 for Macintosh.
- ❑ To increase speed, select the Automatic mode and then set the slide bar to the Speed setting. For instructions, see "Using the Automatic setting" on page 4-7 for Windows or "Using the Automatic setting" on page 6-6 for Macintosh.
- ❑ Do not run unnecessary applications at the same time. Close any applications you are not using at the moment.
- ❑ Delete unnecessary files to make room on your hard disk drive.

#### ***Note:***

*Your computer may not have enough memory. For further tips, See "Increasing the Print Speed" on page 4-27.*

- ❑ If you upgraded from Windows 95 to Windows 98, uninstall the EPSON Stylus Scan software using Add/Remove Programs in Windows, then install the software again.

---

## **Scanning Problem**

### **Note:**

*When the Stylus Scan is connected through the parallel interface on a Windows system, it will be impossible to use the scanner if the printer driver is uninstalled.*


## **Operating problems**

Problems you may have while using the scanner often involve the operation of your software and computer. Operation problems usually occur because of:

- Inappropriate selection of the scanner functions (see your software manual).
- Incorrect setup of your computer or software (see your software manual).
- Incorrect operation of your software (see your software manual).

Also see the documentation that came with your computer and printer for possible solutions.

### ***The operate light does not come on***

Press the  power button to turn on the Stylus Scan.

Make sure the power cord is correctly plugged into the Stylus Scan and the power outlet.

### ***The scanner does not start scanning***

Make sure that the Operate light is green (indicating that the Stylus Scan is ready).



## ***The scanner software does not work properly***

Be sure you have correctly installed your software.

Make sure that your computer system meets the requirements specified by your software.

Confirm that the computer has enough memory for your software. If your computer has many device drivers, if you are running other software at the same time, or using RAM-resident programs, the computer may not have enough memory available. (See your software and computer documentation.)

## ***Quality problems***

### ***The entire image is distorted or blurred***

Make sure that the document is placed flat against the document table.

You may have accidentally moved the document during scanning. Check the position of the document and do not move it while the Stylus Scan is operating.

See that the Stylus Scan is not tilted or placed on an unstable surface.

### ***Part of the image is distorted or blurred***

Part of the document may be wrinkled, warped, or not in contact with the document table. Be sure the document is flat.



#### ***Caution:***

*Do not place heavy objects on the document table.*

### ***Edges of the document are not scanned***

The document table has non-readable areas around the edges. If part of your document extends beyond the maximum limits marked on the document table edge guides, you may have to reposition your document so that the image you want to scan is within the readable area.

### ***Color is patchy or distorted at the edges of the image***

If the document is very thick or warped at the edges, the edges of the image may be discolored. Cover the edges of the document with opaque paper to block outside light.

If part of the document extends beyond the document table, that edge may not be in contact with the document table. Change the position of the document.

### ***The image is faint or out of focus***

Check that the document is placed flush against the document table.

Check the Gamma setting in your software.

Check the Exposure setting in your software.

### ***The image is too dark***

Adjust the brightness and exposure with your software. Also check the brightness and contrast values of your display screen.

### ***Straight lines in the image are jagged***

The document may be placed at an angle on the document table. Align it so that the horizontal and vertical lines are carefully aligned with the scales on the top and side of the document table.

### ***The image does not look the same as the original***

Try different combinations of image settings using your scanner software.

Your software may not have sufficient color matching and color management features, or these components of your software may not be correctly installed. (See your software and computer manuals.)

If you are importing an image file into your application software, make sure the file format is one your software can read. Also check that the image settings in your application are appropriate for the type of image you want to scan. (See your software manual.)

### ***A line of dots is always missing in the scanned image***

If this happens in your printed image only, your printer or the print head is probably malfunctioning. Consult your dealer.

If this happens on both your screen and printout, the scanner's sensor may be malfunctioning. Consult your dealer.

### ***A line of dots always appears in the scanned image***

If this happens on both your screen and printout, the paper path guide of the Auto Document Feeder or the document table may be dusty or scratched. Clean the paper path guide, or clean the document table. If the problem still exists the guide may be scratched and require replacement.

### ***When halftoning is used, textured patterns of dots appear on particular areas of an image***

This is normal. See the explanation of moiré patterns in the *Color Guide*. Your scanner automatically minimizes the problem if Best & de-screening is selected for the Quality & De-screening setting in the Image Type dialog box.

### ***Colors in the image look odd***

Make sure the Image Type and Destination settings in EPSON TWAIN are selected correctly.

When you are using the Film Adapter, make sure the rectangular opening near the hinges on the base is uncovered, or make sure the top of the Film Adapter is closed when scanning.

### ***Colors on your monitor are different from those in the original image***

Check the image settings in your scanner software, especially data format (bits/pixel/color), gamma correction, and color correction. Try a different combination of these settings.

Check the color matching and color management capabilities of your computer, display adapter, and software. Some computers can change the color palette to adjust the colors on your screen. (See your software and computer manuals.)

Exact matching of colors is very difficult. The reason for this is explained in your *Color Guide*. Check your software and monitor manuals for information on color matching and calibration.

### ***Printed colors are different from those in the original image***

Exact reproduction of colors is very difficult. The reason for this is explained in your *Color Guide*. See your software manual or your printing company for guidance on color matching.

### ***The printed image is larger or smaller than the original size***

The image size settings in your software determine the size of the printed image. Do not use the size of the image on your monitor to judge the printed size.

### ***Your image cannot be printed or the printout is garbled***

Check that the printer is properly connected to the computer and is correctly set up.

Check that your software is properly installed and set up for your printer. (See your software manual.)

### ***Color of negative film preview images looks odd***

Check that TPU for Neg. Film is selected in the Document Source settings in EPSON TWAIN.

The dark area around the film, such as the frame of the film holder, is perceived as white - altering the exposure of the scanning area and causing your scans to appear darker. See the correct color by clicking and dragging the mouse over an area, then clicking the zoom preview button.

### ***Improving scan speed***

If the Stylus Scan is connected by a parallel interface (Windows systems only), the best way to improve the speed of your scans is to make sure ECP mode is enabled on your system. This is a system-level setting, so if you want to change it, contact the manufacturer of your computer.

Always use the lowest Resolution (dpi setting) possible that will still give good image quality. A higher dpi setting may not increase the quality of a scan, but it will significantly slow down your computer and it will require more disk space to save the image.

---

## ***Where to Get Help***

If your Stylus Scan is not operating properly and you cannot solve the problem using the troubleshooting information provided in the Stylus Scan documentation, contact customer support services for assistance.

Customer support will be able to help you much more quickly if you give them the following information.

- Serial number of your Stylus Scan  
(The serial number label is on the back of the Stylus Scan.)
- EPSON Stylus Scan model
- Brand and model of your computer
- EPSON Stylus Scan software version  
(Click ABOUT in your printer driver.)
- Windows version you are using
- Software application(s) you normally use with your EPSON Stylus Scan, and their version number(s)

### ***For United Kingdom and the Republic of Ireland Users***

If you purchased your printer in the UK or the Republic of Ireland, EPSON (UK) Limited provides a range of customer services and technical support.

#### *World Wide Web*

If you can connect to the Internet and have a Web browser, you can access our Web site at <http://www.epson.co.uk>. Here you will find information on the latest EPSON products, software drivers, on-line user guides, and answers to frequently asked questions.

#### *Faxon EPSON*

Contact Faxon EPSON Faxback Service for support information including troubleshooting tips, switch settings, and driver information.

To use Faxon EPSON, call 01442 227332 in the UK or 0044 1442 227332 from the Republic of Ireland using a touch-tone phone. You will be asked to follow a simple routine to register your document request. Once you have entered your telephone and fax numbers, Faxon EPSON will fax a copy of the document catalogue to your fax machine.

When you have found the documents that you need in the catalogue, call Faxon EPSON again and enter the document ID numbers. The documents will be faxed to you automatically.

### *Bulletin Board Service for latest drivers and utilities*

You can call the EPSON Bulletin Board Service on 01442 227479 in the UK or 0044 1442 227479 from the Republic of Ireland. No membership is required. Make sure that your communications software is set to 8 data bits, 1 stop bit, no parity bit, ANSI terminal mode emulation, and a modem speed of up to 28.8 Kbps. Downloading protocols supported include Xmodem, Ymodem and Zmodem. See the documentation that came with your communications software and modem for more information.

When you first connect to the Bulletin Board Service, you will be asked for your name, company name, phone number and a password (which you can invent yourself).

### *Customer and Warranty Support*

Our Customer and Warranty Support teams can be contacted by calling 0870 163 7766 in the UK or 0044 0870 163 7766 from the Republic of Ireland. They can provide the following services:

- ❑ Technical information on installing, configuring, and operating your EPSON products
- ❑ Arranging for faulty EPSON products to be repaired within the warranty period

A full list of EPSON Customer and Warranty Support services is available on the technical support section of our World Wide Web pages at <http://www.epson.co.uk/support/> and on Faxon EPSON Faxback service in document number 5085.

### *Pre Sales Enquiry Desk*

The Enquiry Desk team can be contacted by calling 0800 220546 in the UK or 1 800 409132 from the Republic of Ireland, by faxing 01442 227271 in the UK or 0044 1442 227271 from the Republic of Ireland, and via Email at [info@epson.co.uk](mailto:info@epson.co.uk). They can provide the following information:

- Pre Sales information and literature on new EPSON products (also available via our world wide web site at <http://www.epson.co.uk>)
- Where to purchase genuine EPSON consumables, accessories, and options

### ***For Australian Users***

EPSON Australia wishes to provide you with a high level of Customer Service. As well as the user's guide, we provide the following sources for obtaining information:

#### *EPSON FAXBACK*

EPSON FAXBACK will fax you the latest specifications and pricing for most EPSON products offered in Australia. There is also technical information including details of the latest software and drivers available. Phone (02) 9903 9075 and the system will guide you through a number of choices before faxing the information to your fax machine.

#### *EPSON Bulletin Board System*

This is where you can download the latest software and drivers. Visit the BBS to check out the latest versions. If you have a modem, phone (02) 9417 5090.



*Internet URL <http://www.epson.com.au>*

Access the EPSON Australia World Wide Web pages. Worth taking your modem here for the occasional surf! You can get the same information as offered on the EPSON FAXBACK and the EPSON Bulletin Board plus more.

### *Your dealer*

Don't forget that your dealer can often help identify and resolve problems. The dealer should always be the first call for advice on problems. They can often solve problems quickly and easily as well as give you advice on the next step to take.

### *EPSON Helpdesk*

EPSON Helpdesk is provided as a final backup to make sure our clients have access to advice. Operators on the Helpdesk can aid you in diagnosing hardware and software problems. They can also advise you on the latest EPSON products and where the nearest dealer or service agent is located. Many types of queries are answered here.

The Helpdesk numbers are:

Phone: (02) 9903 9040

Fax: (02) 9903 9189

We encourage you to have all the relevant information on hand when you ring. The more information you prepare, the faster we can help solve the problem. This information includes the *User's Guide* for your EPSON product, type of computer, operating system, application programs, and any other information you feel is required.

## ***For Singapore Users***

Contact the telephone and fax numbers below:

Phone: (065) 337-7911

Fax: (065) 334-1185

## ***For Hong Kong Users***

To obtain technical support as well as other after-sales services, users are welcome to contact EPSON Hong Kong Limited.

### *Internet home page*

EPSON Hong Kong has established a local home page in both Chinese and English on the Internet to provide users with the following information:

- Product information
- Answers to Frequently Asked Questions (FAQs)
- Latest versions of EPSON printer drivers

Users can access our World Wide Web home page at:  
<http://www.epson.com.hk>

### *Electronic bulletin board system*

An electronic bulletin board system (BBS) is also available to obtain printer information and the latest versions of printer drivers. You can log on to the following number for the BBS service:

BBS: (852) 2827-4244

## *Technical Support Hotline*

You can also contact our technical staff at the following telephone and fax numbers:

Phone: (852) 2585-4399

Fax: (852) 2827-4383

## ***For Philippines Users***

To obtain technical support as well as other after sales services, users are welcome to contact the EPSON Philippines Representative Office at the telephone and fax numbers below:

Phone: (632) 813-6552

Fax: (632) 813-6545

BBS: (632) 814-0595

*Chapter 13*

---

***Options and Consumable Products***

Options .....13-2  
Consumable products .....13-3

---

## Options

The following options are available for your Stylus Scan.

### **Film Adapter**

The Film Adapter (B81313\*) is a special device developed to enable the scanning of negative film strips and slides by simply installing the unit on your Stylus Scan. The Film Adapter is compact so it can be attached or removed easily when you alternate scanning between transparent materials and normal reflective (paper) documents.

**Note:**

*The Film Adapter cannot be used with the copy function.*

### **Automatic Document Feeder**

The Automatic Document Feeder (B81314\*) allows you to automatically load multiple-page documents into your Stylus Scan. This document feeder is particularly useful for OCR (optical character recognition) scanning, or for creating an image database.

### **Interface cables**

EPSON supplies several types of interface cables. You can use any interface cable that meets the following specifications. See your computer manual for any additional requirements.

Parallel Interface Cable (shielded) C83602\* from D-SUB 25-pin (computer) to 36-pin Amphenol 57 Series (printer)

**Note:**

- ❑ *The asterisk (\*) is a substitute for the last digit of the product number, which varies by location.*
- ❑ *To connect the printer to your PC or Macintosh you must purchase an USB conversion cable.*

**Caution:**

Use only the interface cables listed above. Using other cables not covered by EPSON warranties may cause the printer to malfunction.

---

## Consumable products

The following ink cartridges and EPSON special media are available for your Stylus Scan.

### Ink cartridges

You can use the following cartridges with your printer.

Black ink cartridge                      S020189

Color ink cartridge                      S020191

**Note:**

*The product numbers of ink cartridges vary by location.*

### EPSON special media

EPSON offers specifically designed media for ink jet printers to meet most high-quality printing needs.

EPSON 360 dpi Ink Jet Paper (A4)	S041059 S041025
EPSON 360 dpi Ink Jet Paper (Letter)	S041060 S041028
EPSON Premium Ink Jet Plain Paper (A4)	S041214
EPSON Photo Quality Ink Jet Paper (A4)	S041061 S041026
EPSON Photo Quality Ink Jet Paper (Letter)	S041062 S041029
EPSON Photo Quality Ink Jet Paper (Legal)	S041067 S041048
EPSON Photo Quality Ink Jet Card (A6)	S041054

EPSON Photo Quality Ink Jet Card (5 × 8")	S041121
EPSON Photo Quality Ink Jet Card (8 × 10")	S041122
EPSON Photo Quality Self Adhesive Sheet (A4)	S041106
EPSON Ink Jet Note Cards A6 (with envelopes)	S041147
EPSON Ink Jet Greeting Cards 5 × 8" (with envelopes)	S041148
EPSON Ink Jet Greeting Cards 8 × 10" (with envelopes)	S041149
EPSON Photo Quality Glossy Film (A4)	S041071
EPSON Photo Quality Glossy Film (Letter)	S041072
EPSON Photo Quality Glossy Film (A6)	S041107
EPSON Ink Jet Transparencies (A4)	S041063
EPSON Ink Jet Transparencies (Letter)	S041064
EPSON Photo Paper (A4)	S041140
EPSON Photo Paper (Letter)	S041141
EPSON Photo Paper (4 × 6")	S041134
EPSON Photo Paper (100 × 150 mm)	S041255
EPSON Photo Paper (200 × 300 mm)	S041254
EPSON Photo Paper Cards (A4)	S041177
EPSON Photo Stickers 16 (A6)	S041144
EPSON Photo Stickers 4 (A6)	S041176
EPSON Panoramic Photo Paper (210 × 594 mm)	S041145
EPSON Iron-On Cool Peel Transfer Paper (A4)	S041154
EPSON Iron-On Cool Peel Transfer Paper (Letter)	S041153 S041155
EPSON Matte Paper-Heavyweight (A4)	S041256 S041258 S041259
EPSON Matte Paper-Heavyweight (Letter)	S041257

**Note:**

*The availability of special media varies by location.*

*Appendix A*

---

***Tips for Color Printing***

Basics of Color .....A-2  
Image Resolution and Image Size .....A-5  
Guidelines for Using Color .....A-7



---

## **Basics of Color**

This section describes the basic properties of color, the relationships between colors, and how to use color to improve the quality of your printed documents.

### **Properties of color**

Color is composed of three properties: hue, saturation, and brightness.

#### **Hue**

The name of the color, such as red, blue, or violet. The circle that represents the relationship between all hues is called the hue circle.

#### **Saturation**

The vividness of the color. This represents the amount of gray in proportion to the hue.

#### **Brightness**

The relative lightness or darkness of the color.

The method for representing these properties is called the Munsell renotation color system. The hue circle and the Munsell renotation color system are useful to understand the properties of color. Also see the *Color Guide*.

### **Synchronizing monitor colors and printer colors**

Your Stylus Scan produces images by printing tiny patterns of ink dots on paper. It uses the colors cyan (C), magenta (M), yellow (Y), and black (K) to create a blending effect that makes you think you are seeing millions of colors. This type of color, produced by pigments that absorb some colors of light and reflect others, is called subtractive.

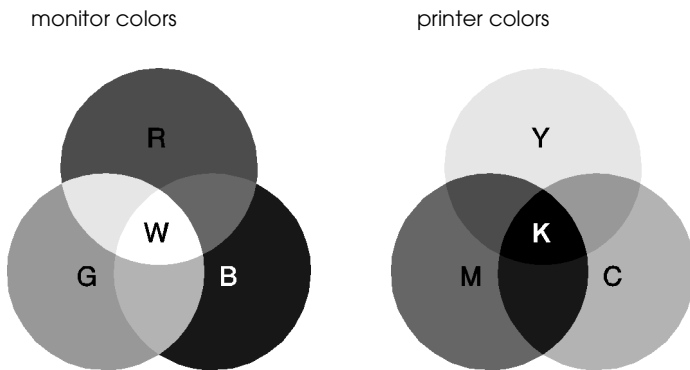
**Note:**

*In theory, pure cyan, magenta, and yellow should produce black, but actually they produce a muddy brown and must be combined with black ink to produce a true black (K).*

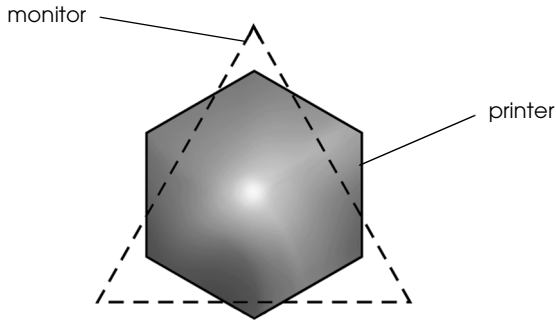
Your monitor produces images by illuminating color phosphors on the screen with an electron gun. (A phosphor is a substance that gives off light when irradiated.) Each screen point (pixel) has three colored phosphors: red (R), green (G), and blue (B).

Since the printer and monitor produce color images differently, and the available range of color produced by the monitor and printer are different, the image on the screen does not exactly match your printed output all of the time. If you want to adjust, or calibrate, the printed color to more closely match the on-screen color, you may have to experiment with the printer driver settings.

Additionally, color management software is available from a variety of software and monitor companies to help you match colors produced by your monitor and printer. See your image-editing software documentation for information on color matching.



The range of colors that can be displayed:

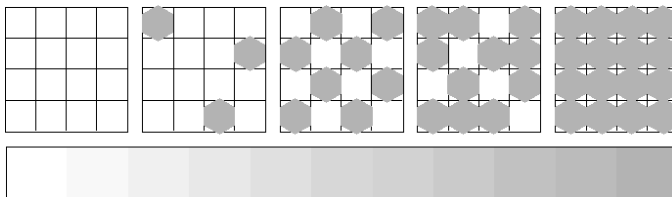


**Note:**

*When printing a scanned image, you may find it more difficult to match colors. Because scanners create the original image data using CMYK, the data format of your image will be changed twice.*

**Process of color printing**

A printer produces color images by printing tiny patterns of ink dots using CMYK colors as mentioned in the previous section. Because most ink jet printers are not able to print different gradations of the three primary colors, they must use a halftoning method in order to represent millions of colors or the gradation of colors as follows:



Dithering and error diffusion are the most commonly used halftoning methods.

## ***Dithering***

Dithering uniformly aligns individual dots of different colored inks to create the appearance of natural colors. This method is suitable for printing documents that contain large areas of solid color, such as bar charts and graphs.

## ***Error diffusion***

Error diffusion blends individual colored dots with the colors of the surrounding dots to create the appearance of natural colors. By blending colored dots, the printer can achieve excellent colors and subtle color gradation. This method is best suited for printing documents that contain detailed graphics or photographic images.

---

## ***Image Resolution and Image Size***

The resolution of your original image affects the quality of your printouts. Generally, the higher the resolution, the better the print quality. However, keep in mind that the higher the resolution, the longer the wait for processing and printing a document.

Generally, the printed image size is in inverse proportion to the image resolution, as shown below. The larger the image size, the lower the image resolution. Conversely, the smaller the image size, the higher the image resolution.

### ***Note:***

*Some applications have a function that can correct this relationship.*

300 pixel



Print

225 pixel



300 dpi

300 pixel



Print

225 pixel



150 dpi

400 pixel



Print

292 pixel



300 dpi

100 pixel



Print

72 pixel



75 dpi

Since increasing the image size means decreasing the image resolution, you must take care that print quality or color tone is not degraded when working with images pasted into documents created with word processing software. To avoid print quality and color tone problems, change the size and the resolution of the image in your graphics application before pasting it into your document.

---

## ***Guidelines for Using Color***

To help you use color to maximize your document's impact on its readers, determine the who, what, when, where, why, and how of color printing.

### ***Know WHO your readers are and WHAT your purpose is***

Your documents are intended to communicate information, opinions, or feelings to one or more people and also to get results. Therefore, first you need to think about who is going to see your work: customer, co-worker, or other; and what your purpose is: to advise, sell, propose, and so on.

#### ***For example:***

*A marketing proposal with generous quantities of bright, fluorescent colors might fail to impress a conservative accounting firm, yet win over a music video company.*

### ***Know WHEN to use color***

While color can enhance any document, you need to decide when color helps expand understanding of your message and when it distracts the reader. Sometimes a serious business message is best delivered without additional colors. (Remember that white and black are colors, too.)

#### ***For example:***

*A job offer letter to a prospective employee works best in black and white, while a list of safety rules benefits from attention-getting color.*

## **Decide WHERE color will most benefit your document**

If you use color on every page or all over a page, you may lose not only the impact of color, but also the clarity and readability of your work. When used consistently and strategically, color breaks up the monotony of black-and-white text reading.

### **Note:**

- ❑ *Avoid placing too many color pictures, tables, or icons on a page.*
- ❑ *Size your color images so that they do not overpower text or graphics.*
- ❑ *Avoid using too much colored text. It is more difficult to read than black-on-white or white-on-black text.*

## **Know WHY you are using color**

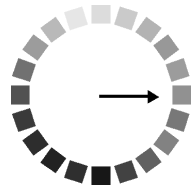
Color adds interest and clarity, and makes documents appear easier to understand. Just as you use fonts and graphics to create appeal and capture attention, color provides an additional visual interpretation of a document that influences the reader.

### **For example:**

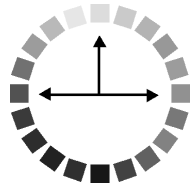
*An overhead presentation of sales results by territory is far more interesting and memorable if you show the figures with colored charts and graphs.*

## Know *HOW* to select colors

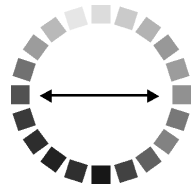
- ❑ Use just one hue in the hue circle to make your document unified. Modify saturation or brightness to add interest.



- ❑ Use contrasting hues to make your work more eye-catching.



- ❑ Use of complementary colors in documents is generally not recommended.



- ❑ Determine a rule for using color throughout the document.

### **Note:**

*See the Color Guide for the hue circle.*





## Appendix B

---

# **Product Specifications**

Printing .....	B-2
Paper .....	B-2
Printable area.....	B-5
Mechanical .....	B-7
Ink Cartridges.....	B-7
Scanning .....	B-8
Electrical .....	B-10
Environmental .....	B-10
Initialization Methods.....	B-11
Safety Approvals .....	B-11
Interface Specifications .....	B-12
Parallel interface .....	B-12
USB interface.....	B-13
Optional USB Cable .....	B-14
System Requirements .....	B-14
For PCs .....	B-14
For Macintosh computers .....	B-15

---

## Printing

Printing method	On-demand ink jet
Nozzle configuration	Monochrome (black) 144 nozzles Color (cyan, magenta, yellow) 144 nozzles (48 (each color) × 3)
Resolution	Maximum 1440 dpi × 720 dpi
Print direction	Bidirectional with logic seeking
Control code	ESC/P raster EPSON Remote
Input buffer	64 KB

---

## Paper

### **Note:**

*Since the quality of any particular brand or type of paper may be changed by the manufacturer at any time, EPSON cannot guarantee the quality of any non-EPSON brand or type of paper. Always test samples of paper stock before purchasing large quantities or printing large jobs.*

### Single sheets:

Size	A4 (210 mm × 297 mm) A5 (148 mm × 210 mm) B5 (182 mm × 257 mm) Letter (216 mm × 279 mm) Half letter (139.7 mm × 215.9 mm) Legal (216 mm × 356 mm) Executive (184.2 mm × 266.7 mm)
Paper types	Plain bond paper, special papers distributed by EPSON
Thickness (for plain bond paper)	0.08 mm to 0.11 mm (0.003 to 0.004 inch)
Weight (for plain bond paper)	64 g/m <sup>2</sup> (17 lb) to 90 g/m <sup>2</sup> (24 lb)

## Envelopes:

Size	No. 10 (104 mm × 240 mm) DL (110 mm × 220 mm) C6 (114 mm × 162 mm) 132 mm × 220 mm
Paper types	Plain bond paper, air mail
Thickness	0.16 mm to 0.52 mm (0.006 to 0.02 inch)
Weight	45 g/m <sup>2</sup> (12 lb) to 75 g/m <sup>2</sup> (20 lb)

## Index cards:

Size	A6 (105 mm × 148 mm) 5 × 8" (127 mm × 203 mm) 10 × 8" (254 mm × 203 mm)
Paper types	Special papers distributed by EPSON

## Transparencies, glossy film:

Size	A4 (210 mm × 297 mm) Letter (216 mm × 279 mm) A6 (105 mm × 148 mm)* * for glossy film
Paper types	Special papers distributed by EPSON

## Self-adhesive sheets:

Size	A4 (210 mm × 297 mm)
Paper types	Special papers distributed by EPSON

## Photo paper:

Size	A4 (210 mm × 297 mm) Letter (216 mm × 279 mm) 4 × 6" (102 mm × 152 mm) Panoramic (210 mm × 594 mm) 100 mm × 150 mm 200 mm × 300 mm
Paper types	Special papers distributed by EPSON

## Photo Stickers:

Size	A6 (105 mm × 148 mm) with 4 or 16 frames
Paper types	Special paper distributed by EPSON

## Matte Paper-Heavyweight

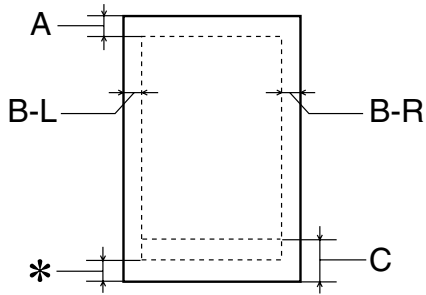
Size	A4 (210 mm × 297 mm)
Paper types	Special papers distributed by EPSON

### **Note:**

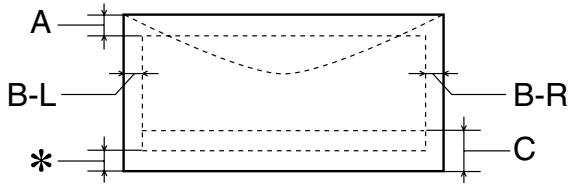
- ❑ *Poor quality paper may reduce print quality and cause paper jams or other problems. If you encounter problems, switch to a higher grade of paper.*
- ❑ *Do not load curled or folded paper.*
- ❑ *Use paper under normal conditions:*
  - Temperature 15 to 25°C (59 to 77°F)*
  - Humidity 40 to 60% RH*
- ❑ *EPSON Photo Quality Glossy Film and Self Adhesive Sheets should be stored under the following conditions:*
  - Temperature 15 to 30°C (59 to 86°F)*
  - Humidity 20 to 60% RH*

## ***Printable area***

Single sheets (including panoramic size) and index cards



Envelopes



- A: The minimum top margin is 3.0 mm (0.12").  
When loading multiple sheets of EPSON Photo Quality Glossy Film, the minimum top margin is 30.0 mm (1.2").
- B-L: The minimum left margin is 3.0 mm (0.12").
- B-R: The minimum right margin is as follows:  
3.0 mm (0.12") for single sheets and C6 envelopes.  
7.0 mm (0.28") for DL envelopes.  
28.0 mm (1.10") for No. 10 envelopes.
- C: The minimum bottom margin is 14.0 mm (0.55").
- \*: You can extend the minimum bottom margin to 3 mm by selecting Maximum as the Printable Area setting on the printer driver's Paper menu (for Windows) or Page Setup dialog box (for Macintosh). Please note that print quality may decline in the expanded area. Before printing large jobs using this setting, print a single sheet to confirm printout quality.

**Note:**

*Always load paper into the sheet feeder short edge first. Load envelopes flap edge first with the flap side down.*

---

## **Mechanical**

Paper feed method	Friction
Paper path	Sheet feeder, rear entry
Sheet feeder capacity	About 100 sheets at 64 g/m <sup>2</sup> (17 lb) paper
Dimensions	Storage Width: 517 mm (20.4 inches) Depth: 529 mm (20.8 inches) Height: 300 mm (11.8 inches)  Printing Width: 517 mm (20.4 inches) Depth: 575 mm (22.6 inches) Height: 300 mm (11.8 inches)
Weight	12 kg (26.5 lb) without the ink cartridges

---

## **Ink Cartridges**

### **Black ink cartridge (S020189)**

Color	Black
Print capacity*	900 pages (A4, text at 360 dpi)
Cartridge life	2 years from production date (within 6 months after opening package, at 25°C (77°F))
Temperature	Storage: -20 to 40°C (-4 to 104°F) 1 month at 40°C (104°F) Transit: -30 to 60°C (-22 to 140°F) 1 month at 40°C (104°F) 120 hours at 60°C (140°F) Freezing:** -16°C (3.2°F)
Dimensions	27.8 mm (W) × 52.7 mm (D) × 38.5 mm (H)



## Color ink cartridge (020191)

Color	Cyan, Magenta, and Yellow
Print capacity*	300 pages (A4, 360 dpi, 5% duty each color)
Cartridge life	2 years from production date (within 6 months of opening the package at 25°C (77°F))
Temperature	Storage: -20 to 40°C (-4 to 104°F) 1 month at 40°C (104°F) Transit: -30 to 60°C (-22 to 140°F) 1 month at 40°C (104°F) 120 hours at 60°C (140°F) Freezing:** -18°C (-0.4°F)
Dimensions	42.9 mm (W) × 52.7 mm (D) × 38.5 mm (H)

\* The figure given is based upon continuous printing after ink replacement. The actual print capacity may vary, depending on how often you use the print head cleaning function and how often you turn the Stylus Scan on.

\*\* Ink thaws and is usable after approximately 3 hours at 25°C (77°F).



### **Caution:**

- ❑ *EPSON recommends the use of original EPSON ink cartridges only. Other products not manufactured by EPSON may cause damage to your Stylus Scan not covered by EPSON's warranties.*
- ❑ *Do not use an ink cartridge if the date on the package has expired.*

---

## Scanning

Scanner type:	Flatbed color image scanner
Photoelectric device:	Color CCD line sensor
Effective pixels:	5100 × 7020 pixels at 600 dpi, 100%

Document size:	8.5 × 11.7" (216 × 297 mm) A4 or US letter size (The reading area can be specified from your software.)
Scanning resolution:	600 dpi (main) 1200 dpi (sub)
Output resolution:	50 dpi to 9600 dpi
Color separation:	RGB color filters on CCD
Reading sequence:	Monochrome: One-pass scanning Color page sequence: Three-pass scanning (R, G, B) Color byte sequence: One-pass scanning (R, G, B) Color line sequence: One-pass scanning (R, G, B)
Zoom:	50% to 200% in 1% increments
Image data:	12 bits per pixel per color internal 8 bits per pixel per color external
Brightness:	7 levels
Line Art settings:	Fixed threshold Text Enhancement Technology (enable/disable selectable)
Halftoning process:	AAS (Auto Area Segmentation) Error Diffusion 3 mode (A, B, C) Dither (Resident) 4 mode (A, B, C, D) Dither (User defined) 2 mode (A, B)
Gamma correction:	CRT display 2 level Printer 3 level (A, B, C) User defined 1 level
Color correction:	1 type for CRT display Impact-Dot Printer Thermol Printer Ink-jet Printer 1 type for user-defined
Interface:	USB + IEEE1284.4
Light source:	White cold cathode fluorescent lamp
Reliability:	30,000 cycles of carriage movements (main unit MCBF) Lamp: Life 10,000 hour

---

## **Electrical**

	<b>120V Model</b>	<b>220–240V Model</b>
Input voltage range	99 to 132V	198 to 264V
Rated frequency range	50 to 60 Hz	
Input frequency range	49.5 to 60.5 Hz	
Rated current	0.7 A (120V)	0.4 A (220-240V)
Power consumption	Approx. 32W (ISO10561 Letter Pattern)	

### **Note:**

*Check the label on the back of the EPSON Stylus Scan for the voltage information.*

---

## **Environmental**

Temperature                      Operation: 10 to 35°C (50 to 95°F)  
Storage: -20 to 40°C (-4 to 104°F)  
   1 month at 40°C (104°F)  
Transit:\* -20 to 60°C (-4 to 140°F)  
   120 hours at 60°C (140°F)

Humidity                            Operation: 20 to 80% RH  
Storage:\*,\*\* 5 to 85% RH

\* Stored in shipping container

\*\* Without condensation

---

## **Initialization Methods**

The scanner can be initialized (returned to a fixed set of conditions) in the following ways:

- Hardware initialization: The scanner is initialized when the Stylus Scan's power is turned on. When the scanner is initialized, the following actions are performed.
- a) Initializes scanner mechanism.
  - b) Clears input/output data buffer.
  - c) Sets default values.
- Software initialization: The ESC @ command also initializes the Stylus Scan. When the Stylus Scan is initialized, the following actions are performed.
- a) Clears input/output data buffer.
  - b) Sets default values.
- Operator initialization: This scanner recognizes the INIT (negative pulse) of the parallel interface. When the Stylus Scan is initialized, following actions are performed.
- a) Clears input/output data buffer.
  - b) Sets default values.

---

## **Safety Approvals**

Safety standards:

U.S. model	UL 1950 CSA C22.2 No.950
European model	EN60950

## EMC:

U.S. model	FCC part 15 subpart B class B
European model	EN 55022 (CISPR Pub. 22) class B EN 50082-1 IEC 801-2 IEC 801-3 IEC 801-4 EN 61000-3-2 EN 61000-3-3
Australian model	AS/NZS 3548 class B

---

## ***Interface Specifications***

Your Stylus Scan is equipped with an 8-bit parallel interface and a USB interface.

### ***Parallel interface***

The built-in parallel interface has the following characteristics.

## **Forward channel**

Data format	8-bit parallel, IEEE-1284 compatibility mode, IEEE-1284 ECP mode
Synchronization	$\overline{\text{STROBE}}$ pulse
Handshake timing	BUSY and $\overline{\text{ACKNLG}}$ signals
Signal level	TTL compatible
Connector	57-30360 Amphenol connector or equivalent

## **Reverse channel**

Transmission mode	IEEE-1284 Nibble mode, IEEE-1284 ECP mode
Adaptable connector	57-30360 Amphenol connector or equivalent
Synchronization	Refer to the IEEE-1284 specification
Handshaking	Refer to the IEEE-1284 specification
Signal level	IEEE-1284 Level 1 device
Data transmission timing	Refer to the IEEE-1284 specification

## **USB interface**

The Stylus Scan's built-in USB interface is based on the standards specified in the Universal Serial Bus Specifications Revision 1.0 and the Universal Serial Bus Device Class Definition for Printing Devices Version 1.0. This interface has the following characteristics.

Standard	Based on Universal Serial Bus Specifications Revision 1.0, Universal Serial Bus Device Class Definition for Printing Devices Version 1.0
Bit rate	12 Mbps (full speed device)
Data encoding	NRZI

Adaptable connector	USB Series B
Recommended cable length	2 meters

## ***Optional USB Cable***

The specifications below apply to the optional USB cable (C83623\*).

USB Series A (4-pin) Plug Connector

USB Series B (4-pin) Plug Connector

1.8 meters long

---

## ***System Requirements***

### ***For PCs***

To use your Stylus Scan, you need Microsoft® Windows® 95, or Windows® 98; a CD-ROM drive and a shielded, twisted-pair parallel cable. If you want to connect your Stylus Scan to a USB port, you need a Windows 98 pre-installed PC equipped with a USB port; and a shielded USB cable.

Your computer should also meet the following system requirements.

<b>Minimum System Requirements</b>	<b>Recommended System</b>
i486/25 MHz for Windows 95 i486/66 MHz for Windows 98	Pentium or higher processor
32 MB RAM	32 MB RAM or more for Windows 98 and 95

50 MB hard disk space for Windows 98, and 95	50 MB or more free disk space for Windows 98, and 95
VGA size, 16 bit color	SVGA or better 24 bit color

Your computer dealer can help you update your system if it does not meet these requirements.

## **For Macintosh computers**

You can use this Stylus Scan with the following Apple® Macintosh® computers. You also need a shielded USB cable.

Supported computer models

Any Macintosh with a standard USB interface.

Your Macintosh must meet the following system requirements.

<b>Minimum System Requirements</b>	<b>Recommended System</b>
System 8.1 + iMac update 1.0	System 8.5.1 or later
7 MB of available memory 12 MB of available memory when background printing is turned on.	14 MB or more of available memory 23 MB of available memory when background printing is turned on.

### **Note:**

- ❑ *The included software cannot be used with the Multiple Users function in MacOS 9, if you have logged in from a “Limited” or “Panels” user account.*
- ❑ *The amount of available memory varies according to the number and kind of applications that are open. To see how much memory is available, choose About This Computer from the Apple menu and refer to the memory size (listed in kilobytes) under “Largest Unused Block” (1,024K=1 MB).*



- ❑ *The memory requirements above are for printing on Letter size paper. These requirements may vary depending on the size of the paper, the type of application you are using, and the complexity of the document you want to print.*

In addition to these system and memory requirements, you also need 10 MB of free hard disk space to install the Stylus Scan software. To print, you need extra hard disk space amounting to about double the size of the file you want to print.

---

# Glossary

The following definitions apply specifically to printers.

**application**

A software program that helps you carry out a particular task, such as word processing or financial planning.

**ASCII**

American Standard Code for Information Interchange. A standardized coding system for assigning numerical codes to letters and symbols.

**banding**

The horizontal lines that sometimes appear when printing graphics. This occurs when the print head is misaligned. See also *MicroWeave*.

**bit**

A binary digit (0 or 1), which is the smallest unit of information used by a printer or computer.

**brightness**

The lightness or darkness of an image.

**buffer**

The portion of the printer's memory used to store data before printing it.

**byte**

A unit of information consisting of eight bits.

**characters per inch (cpi)**

A measure of the size of text characters, sometimes referred to as pitch.

**CMYK**

Cyan (blue-green), magenta, yellow, and black. These colored inks are used to create the subtractive system array of printed colors.

**color matching**

A method of processing color data so that colors displayed on a computer screen closely match colors in printouts. A variety of color-matching software is available. See also *ColorSync*.

**ColorSync**

Macintosh software that is designed to help you get WYSIWIG (what you see is what you get) color output. This software prints colors as you see them on your screen.

**cpi**

See *characters per inch*.

**default**

A value or setting that takes effect when the equipment is turned on, reset, or initialized.

**dithering**

A halftoning method in which dots are arranged in an orderly pattern. Dithering works best for printing images with solid colors, such as charts and graphs. See also *halftoning*.

**DMA**

Direct Memory Access. A data transfer feature that bypasses a computer's CPU and allows direct communication between a computer and peripheral devices (like printers), and between one peripheral device and another.

**dpi**

Dots per inch. The dpi measures the resolution. See also *resolution*.

**drive**

A memory device, such as CD-ROM, hard disk, or floppy disk. In Windows, a letter is assigned to each drive for easy management.

**driver**

A software program that sends instructions to a computer peripheral to tell it what to do. For example, your printer driver accepts print data from your word processor application and sends instructions to the printer on how to print this data.

**economy printing**

Printing in which images are printed with fewer dots to save ink.

**error diffusion**

Error diffusion blends individual colored dots with the colors of the surrounding dots to create the appearance of natural colors. By blending colored dots, the printer can achieve excellent colors and subtle color gradation. This method is best suited for printing documents that contain detailed graphics or photographic images.

**ESC/P**

Abbreviation for EPSON Standard Code for Printers, the system of commands your computer uses to control your printer. It is standard for all EPSON printers and supported by most application software for personal computers.

**Finest detail**

This printer driver setting automatically makes your printout sharper and clearer, especially for text. Be aware that this may increase the time required for printing.

**font**

A style of type designated by a family name.

**grayscale**

A scale of shades of gray from black to white. Grayscale is used to represent colors when printing with black ink only.

**halftones**

Patterns of black or colored dots used to reproduce an image.

**halftoning**

Method of using dot patterns to represent an image. Halftoning makes it possible to produce varying shades of gray using only black dots, or a nearly infinite array of colors using only a few colors of dots. See also *halftones*.

**high speed printing**

Printing in which images are printed in both directions. This provides faster printing.

**initialization**

Returns the printer to its defaults (fixed set of conditions). This happens every time you turn on the printer or reset the printer.

**ink cartridge**

Contains the ink your printer uses when printing.

**ink jet**

A method of printing in which each letter or symbol is formed by precisely spraying ink onto paper.

**interface**

The connection between the computer and the printer. A parallel interface transmits data one character or code at a time. A serial interface transmits data one bit at a time.

**interface cable**

The cable that connects the computer and the printer.

**local printer**

The printer connected to the computer's port directly by interface cable.

**media**

Materials upon which data is printed, such as envelopes, plain paper, special paper, and transparency film.

**memory**

The part of the printer's electronic system that is used to store information (data). Some information is fixed and is used to control how the printer operates. Information that is sent to the printer from the computer is stored in memory temporary. See also *RAM* and *ROM*.

**MicroWeave**

Printing in which images are printed in finer increments to reduce the possibility of banding and to produce laser-like images. See also *banding*.

**monochrome**

This means printing with only one color of ink, which is generally black ink.

**nozzle**

Fine tubes in the print head through which ink is sprayed on the page. Print quality may decline if the print head nozzles are clogged.

**operation check**

A method for checking the operation of the printer. When you perform a printer operation check, the printer prints the ROM version, code page, ink counter code, and a nozzle check pattern.

**parallel interface**

See *interface*.

**port**

An interface channel through which data is transmitted between devices.

**printable area**

The area of a page on which the printer can print. It is smaller than the physical size of the page due to margins.

**printer driver**

A software program that sends commands for using the features of a particular printer. Often shortened to "driver".

**print queue**

If your printer is connected to a network, print jobs that are sent to the printer while it is busy are stored in a waiting line, or print queue, until they can be printed.

**RAM**

Random Access Memory. The portion of the printer's memory used as a buffer and for storing user-defined characters. All data stored in RAM is lost when the printer is turned off.

**reset**

To return a printer to its defaults by turning the printer off and then back on.

**resolution**

The number of dots per inch used to represent an image.

**ROM**

Read Only Memory. A portion of memory that can only be read and cannot be used for data storage. ROM retains its contents when you turn off the printer.

**RGB**

Red, green, and blue. These colors, in phosphors irradiated by the computer monitor's electron gun, are used to create the additive array of screen colors.

***spool***

The first step in printing, in which the printer driver converts the print data into codes that your printer understands. This data is then sent to the printer directly or to the print server.

***spool manager***

The software program that converts print data into codes that your printer understands. See also *spool*.

***status monitor***

The software program that allows you to check the printer's status.

***subtractive colors***

Colors produced by pigments that absorb some colors of light and reflect others. See also *CMYK*.

***USB interface***

Universal Serial Bus interface. Enables the user to connect up to 127 peripheral devices (such as keyboards, mice, and printers) to the computer through a single, general purpose port. The use of USB hubs allows you to add additional ports. See also *interface*.

***WYSIWIG***

What-you-see-is-what-you-get. This term is used to describe printout that looks exactly like it appears on screen.



---

# Index

## A

Advanced settings  
  Macintosh, 8  
  Windows, 4-9  
Auto exposure, 8-54  
Auto locate, 8-55  
Automatic setting  
  Macintosh, 6  
  Windows, 4-7

## B

Background printing, 20, 7-4 to 7-7

## C

Cables, 13-2  
Cleaning sheets, 3-7  
Color adjustment, 8-53  
ColorSync setting, 7  
Computer requirements, B-14 to B-16  
Configuration, 8-58  
Configuration settings, 7-3  
Consumable products, 13-1 to ??  
Custom paper size, 12  
Custom settings  
  Macintosh, 7  
  Windows, 4-8  
Custom Settings dialog box  
  Macintosh, 10  
  Windows, 4-11

## D

Destination, 8-43  
Document source, 8-38

## E

Economy setting  
  Macintosh, 7

Windows, 4-9

Envelopes, 3-7 to 3-8, B-3, B-5  
EPSON Monitor 3, 7-4 to 7-7  
EPSON Spool Manager, 5-3  
EPSON StatusMonitor, 7-2  
EPSON Status Monitor 3, 5-4 to ??

## G

Glossy film, 13-4

## H

Head Cleaning utility, 11-5 to ??

## I

ICM setting, 4-9  
Image controls, 8-49  
Image type, 8-39  
Ink cartridges, 13-3  
  replacing, 10-1 to 10-12  
Ink jet card, 3-5, 13-3  
Ink jet paper, 3-5, 13-3  
Ink setting  
  Macintosh, 6  
  Windows, 4-7  
Interface cables, 13-2  
Iron-on cool peel transfer paper, 3-5,  
  13-4

## L

Layout dialog box, 14 to 19  
Layout menu, 4-16 to ??  
Loading paper, ?? to 3-3, 3-3 to 3-9



## **M**

- Main menu, 4-4 to 4-9
- Maintenance, 11-1 to ??
- Matte Paper-Heavyweight, 3-5, 13-4
- Media Type setting
  - Macintosh, 3 to 5
  - Windows, 4-4 to 4-6

## **N**

- Nozzle checking, ?? to 11-4

## **O**

- Options, 13-1 to ??, B-14
- Orientation setting
  - Macintosh, 11

## **P**

- Page Setup dialog box, 11 to 12
- Paper jam, 12-13
- Paper menu, 4-15 to 4-16
- Photo paper, 3-5, 3-8 to 3-12, 13-4
- Photo stickers, 3-5, 13-4
- Preview feature, 21
- Printable Area setting
  - Macintosh, 11
- Printable area specifications, B-5
- Printer parts, 1-2
- Printer software for Macintosh
  - changing settings, 2 to 22
  - utilities, 24 to 25
- Printer software for Windows
  - accessing, 4-2 to 4-3
  - changing settings, 4-3 to ??
  - utilities, 4-21 to ??
- Print head
  - alignment, ?? to 11-10
  - nozzle checking, ?? to 11-4
- Print Head Alignment utility,  
?? to 11-10
- Print Quality setting
  - Macintosh, 9

Windows, 4-10

- Print speed, increasing, 4-27 to 4-29
- Print time setting, 20
- Progress Meter, 5-2

## **R**

- Reduce/Enlarge setting
  - Macintosh, 11
  - Windows, 4-16
- Reset, 8-55
- Resolution, B-2

## **S**

- Safety instructions, 2-1 to 2-6
- Saving settings
  - Macintosh, 10
  - Windows, 4-11
- Self adhesive sheets, 3-5, 13-4
- Settings, 8-56
- Source and target image size, 8-46
- Special paper, 3-1 to 3-12, 13-3
- Specifications
  - electrical, B-10
  - environmental, B-10
  - ink cartridges, B-7
  - interface, B-12 to B-14
  - mechanical, B-7
  - paper, B-2 to B-4
  - printable area, B-5
  - printing, B-2
  - safety approvals, B-11
- Speed & Progress settings, 4-29
- Spool Manager, 5-3
- sRGB setting, 4-9
- Status Monitor
  - Macintosh, 7-2
  - Windows, 5-4 to ??

## **T**

Text/Graph setting

Macintosh, 7

Windows, 4-9

Tone correction, 8-51

Transparencies, 3-5, 13-4

Troubleshooting, 12-1 to ??

## **U**

Unsharp mask, 8-46

Utilities

Macintosh, 24 to 25

Windows, 4-21 to ??

## **W**

Watermark setting

Macintosh, 17

Windows, 4-19

When, 8-38



<b>EPSON OVERSEAS MARKETING LOCATIONS</b>
---

---

**EPSON AMERICA, INC.**

20770 Madrona Ave.  
P.O. Box 2842  
Torrance, CA 90509-2842  
Phone: (800) 922-8911  
Fax: (310) 782-5220

**EPSON UK LTD.**

Campus 100, Maylands Avenue,  
Hemel Hempstead, Herts,  
HP2 7TJ, U.K.  
Phone: (+44) 01442 261144  
Fax: (+44) 01442 227227

---

**EPSON DEUTSCHLAND GmbH**

Zülpicher Straße 6,  
40549 Düsseldorf Germany  
Phone: (0211) 56030  
Fax: (0211) 5047787

**EPSON FRANCE S.A.**

68 bis, rue Marjolin  
92300, Levallois-Perret, France  
Phone: 33.1.40.87.37.37  
Telex: 610657

---

**EPSON AUSTRALIA PTY. LTD.**

70 GIBBES STREET, CHATSWOOD 2067 NSW.  
Phone: 2-9903-9000  
Fax: 2-9903-9177

**EPSON SINGAPORE PTE. LTD.**

No. 1 Temasek Avenue #36-00  
Millenia Tower, Singapore 039192  
Phone: (065) 33 77 911  
Fax: (065) 33 41 185

---

**EPSON HONG KONG LTD.**

Rooms 4706-10, 47/F,  
China Resources Bldg.,  
26 Harbour Road, Wanchai, Hong Kong  
Phone: 2585-4300  
Fax: 2827-7083

**EPSON TAIWAN TECHNOLOGY & TRADING LTD.**

10F, No. 287 Nanking E. Road, Sec. 3,  
Taipei, Taiwan, R.O.C.  
Phone: (02) 717-7360  
Fax: (02) 712-9164

---

**EPSON ITALIA S.p.A.**

V.le F.lli Casiraghi 427  
20099 Sesto S.Giovanni  
MI, Italy  
Phone: 2-262331  
Fax: 2-2440750

**EPSON IBERICA S.A.**

Av. de Roma, 18-26  
08290 Cerdanyola del Valles  
Barcelona, Spain  
Phone: 582. 15.00  
Fax: 582. 15.55

---

**SEIKO EPSON CORPORATION****(Hirooka Office)**

80 Harashinden, Hirooka  
Shiojiri-shi, Nagano-ken  
399-0785 Japan

**EPSON PORTUGAL, S.A.**

R. do Progresso, 471, 1° Perafita  
4460 Matosinhos, Portugal  
Phone: (02) 996 14 02  
Fax: (02) 996 14 11

**EPSON**

All in One Product

**EPSON STYLUS<sup>™</sup> SCAN 2500**

*Reference Guide*